

MT1389L/K (LQFP128) DVD TEST Board w/ Sanyo HD6x Series PUHs

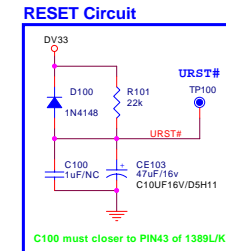
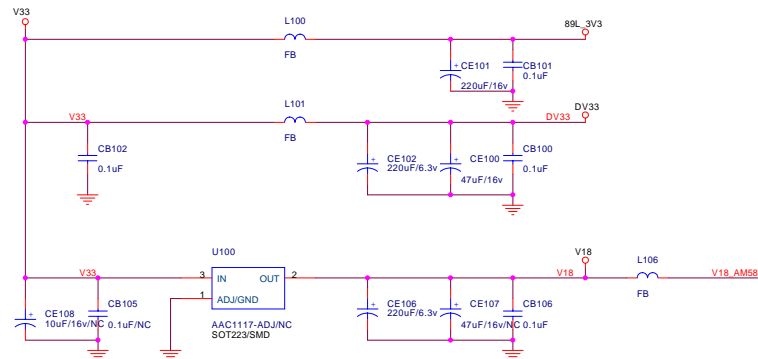
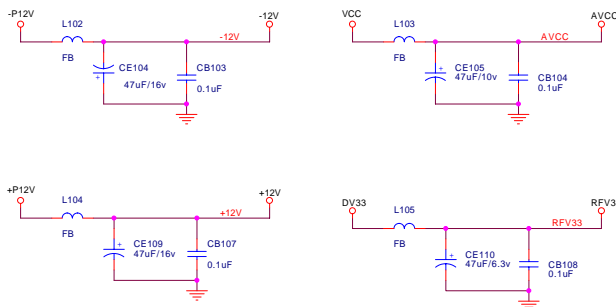
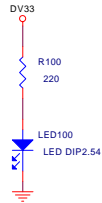
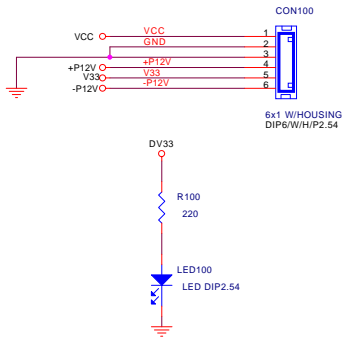
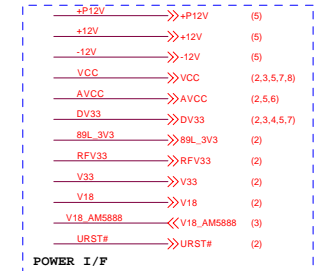
- 1 INDEX & POWER, RESET
- 2 MT1389L/K LQFP128
- 3 MOTOR DRV
- 4 SDRAM & FLASH
- 5 AUDIO I/F
- 6 VIDEO I/F
- 7 MS/SD & USB
- 8 GAME I/F

MT1389L/K Full Function:  
(USB, 1CH MIC, 6CH DAC, VGA/SCART, GAME, CARD, VFD)

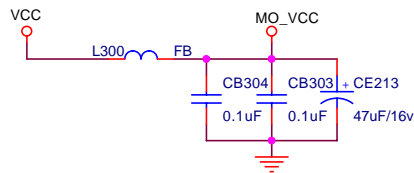
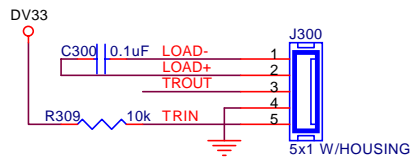
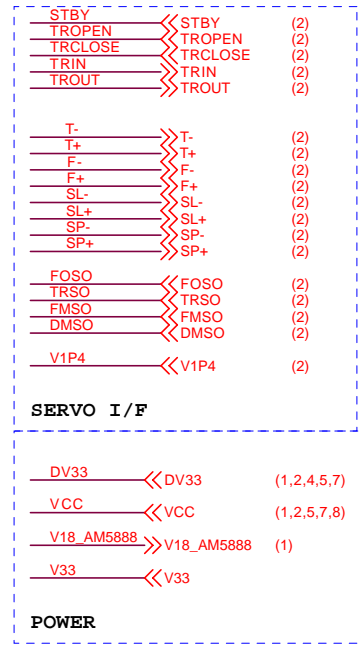
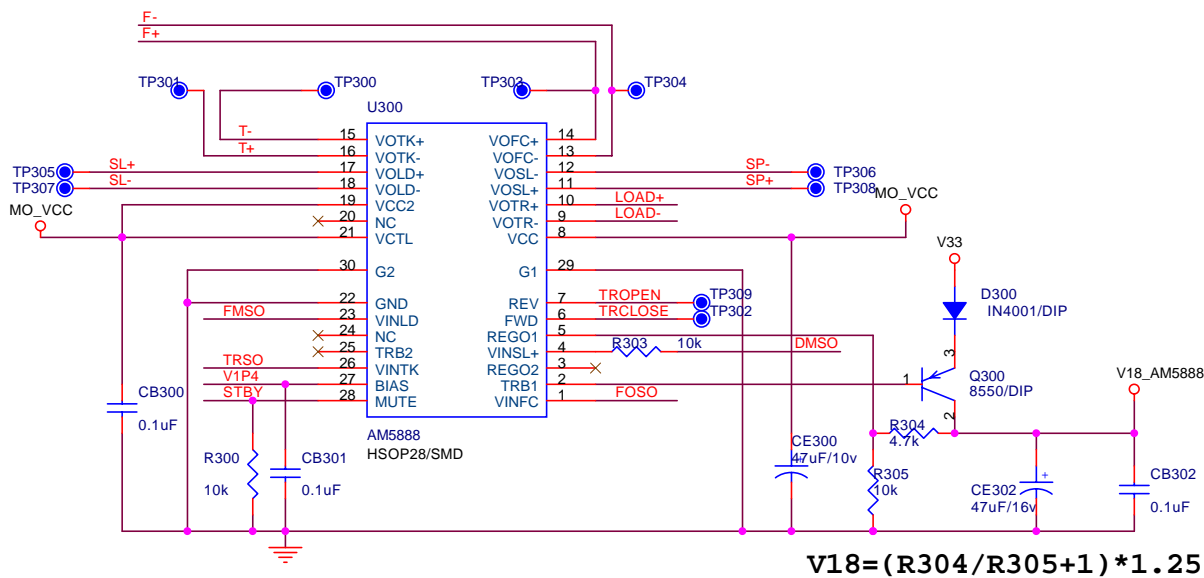
MT1389L/K General GPIO List

Name	PIN	Features
GPIO3	33	GAME_SW
GPIO4	34	LIMIT TROUT
GPIO6	35	TRCLOSE
GPIO7	87	MS_CLK
GPO_A	22	STBY
GPO_B	23	TROPEN IOA
GPIO2	26	TRIN
GPIO8	88	MS_BS SD_CLK
GPIO9	89	MS_D0 SD_CMD
GPIO10	91	SD_D0
GPIO11	92	SCART1 HSYNC
GPIO12	93	ASPDIF
GPIO13	94	VSTB
GPIO19	106	SCART2 VSYNC
GPIO20	107	ADVCM
GPIO21	108	AKIN1 AUDIO_MUTE
GPIOK0	27	USB_DP
GPIOK1	28	USB_DM
GPIOK2	31	PAD_VRT
UP1_6	40	VSCK
UP1_7	41	VSDA
ARF	114	AUDIO_ARF GAME_LOAD
ARS	115	AUDIO_ARS GAME_CLK
ALS	119	AUDIO_ALS GAME_DA1
ALF	120	AUDIO_ALF GAME_DA2


Rev	History	Date
V1	The original released. Base on 3-SYHI89LSD1-V10.DSN	2006/12/12
V2	1), Re-arrange MT1389LK Servo IO Pin & VFD Pin; 2), Update brake ciucuit; 3), Change RFO circuit	2007/01/22
V3_Ext	1), Re-arrange MT1389L IO Pin 2), GPIO Extension Solution; 3), Add Scart Circuit;	2007/02/05
V4_Ext	1), Exchange Trin and Limit GPIO Pin;	2007/02/12
V5_Ext	1), Modify Mute Circuit;	2007/03/01
V6	1), Re-arrange MT1389L IO Pin; 2), Add GPIO reuse function and circuit;	2007/06/05



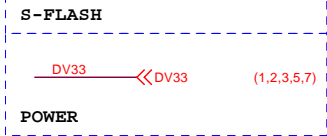
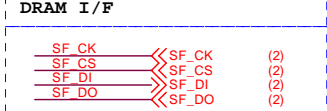
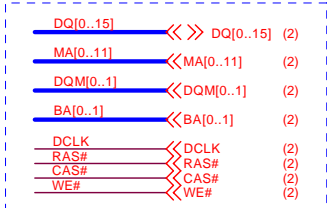
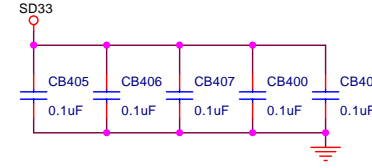
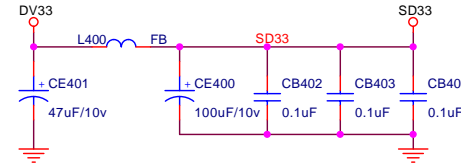
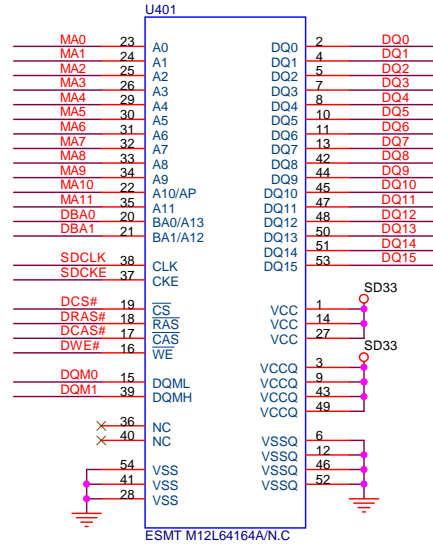
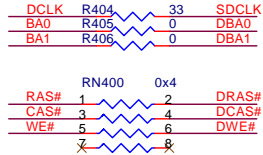
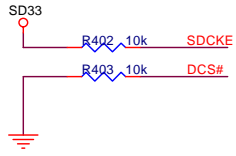
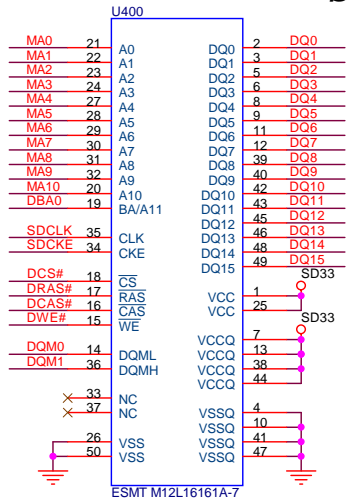




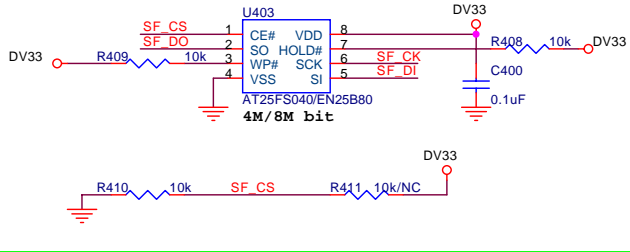
*MediaTek Confidential*

		<b>MediaTek (ShenZhen) Inc.</b>	
		<b>COMMON1389L/K HD65 AM5888</b>	
Size	Document Number	Drawn: <i>WenYuan</i>	Rev
Custom	<b>MOTOR DRV</b>	Checked: <i>XJ_HAWK</i>	6
Date:	Wednesday, June 13, 2007	Sheet	3 of 8

# SDRAM (Dual Layout)

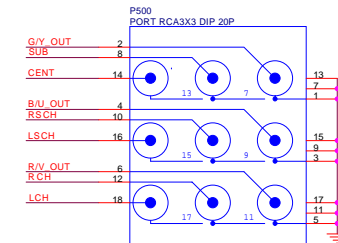
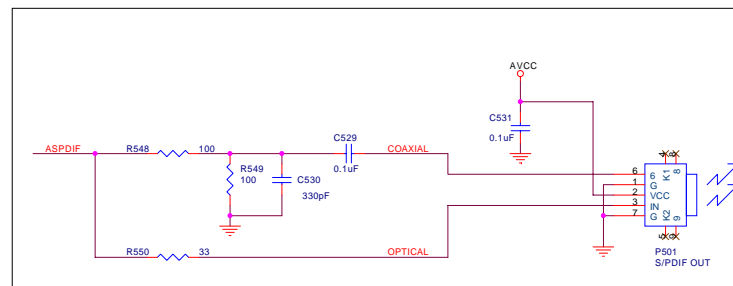
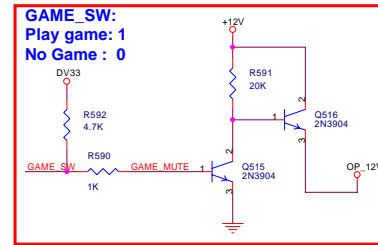
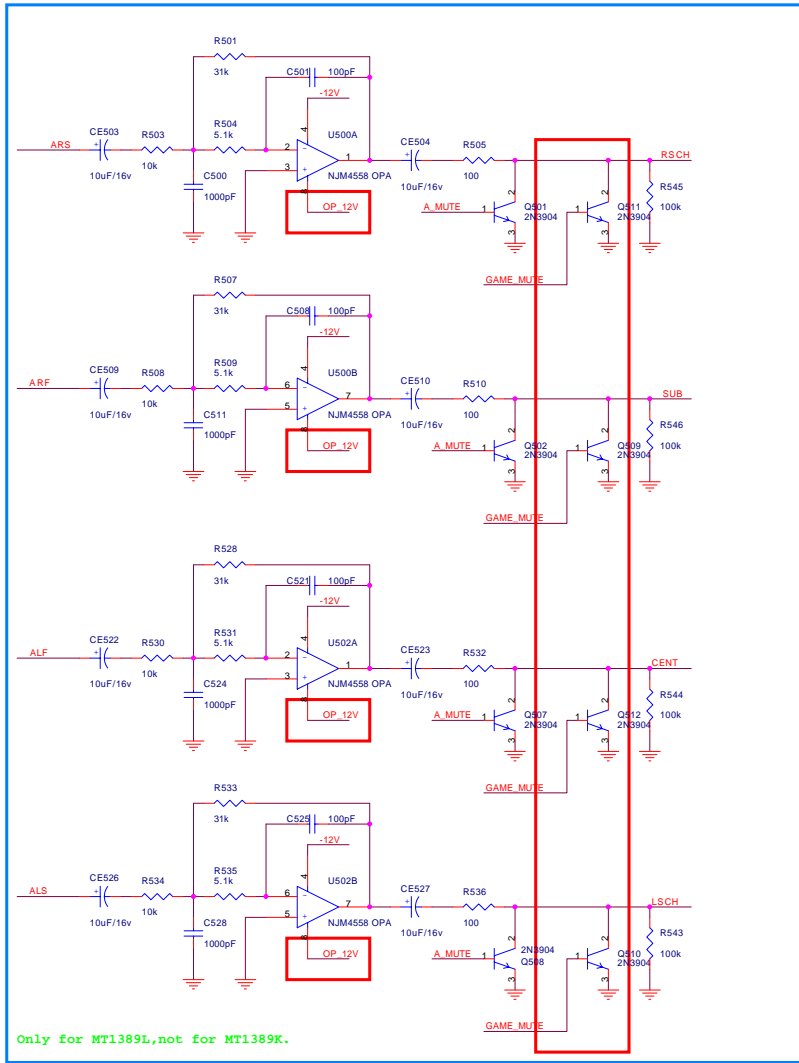
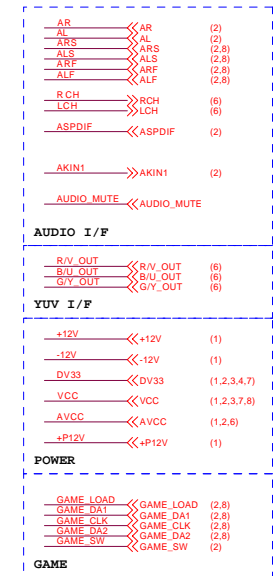
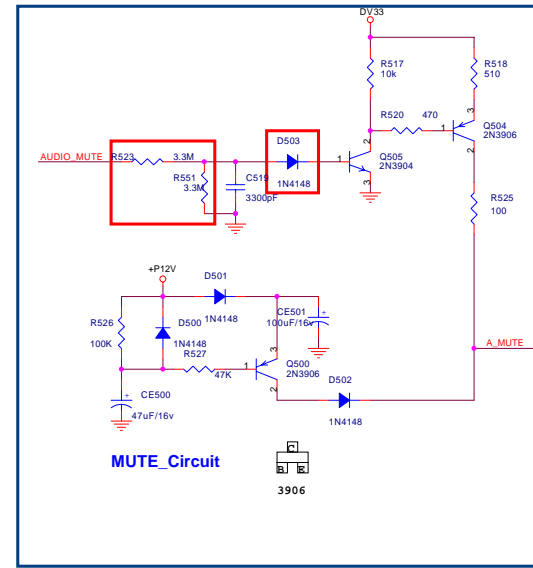
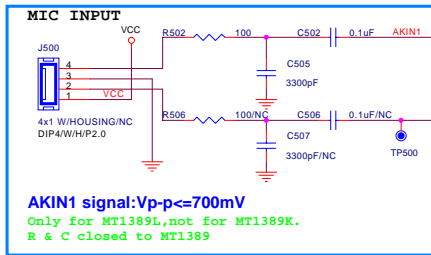
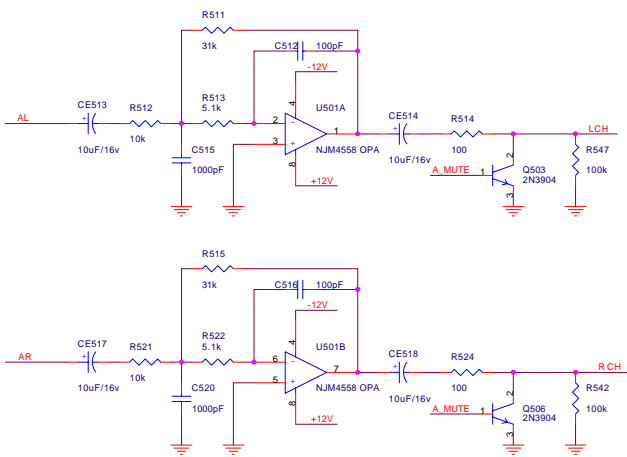


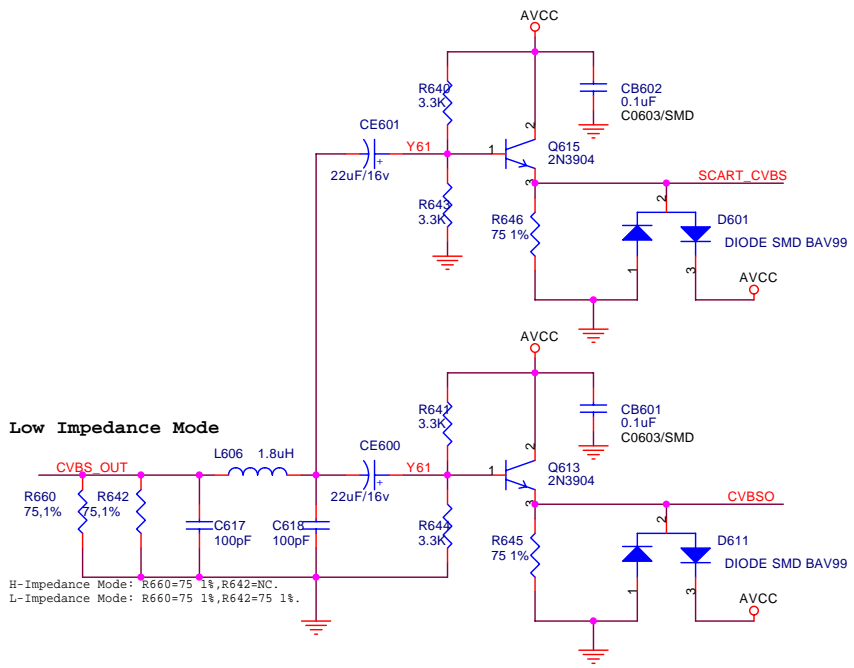
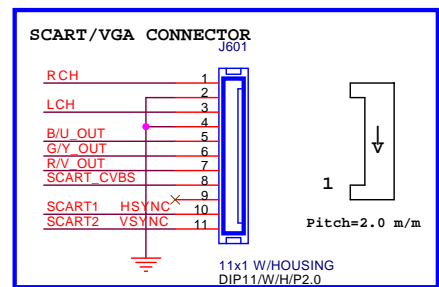
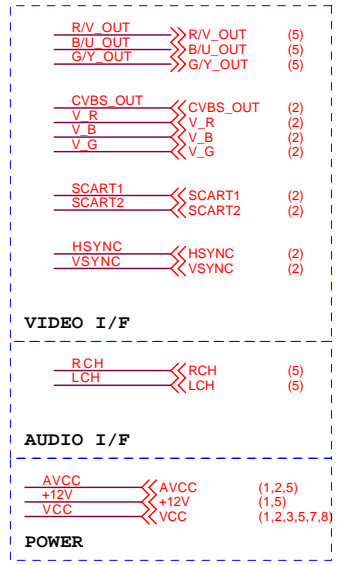
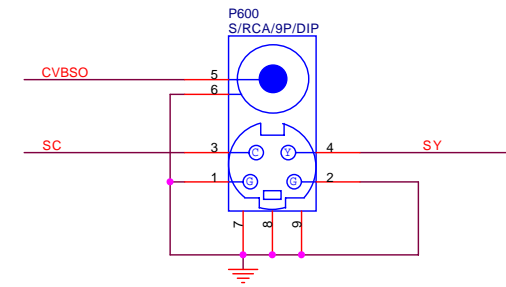
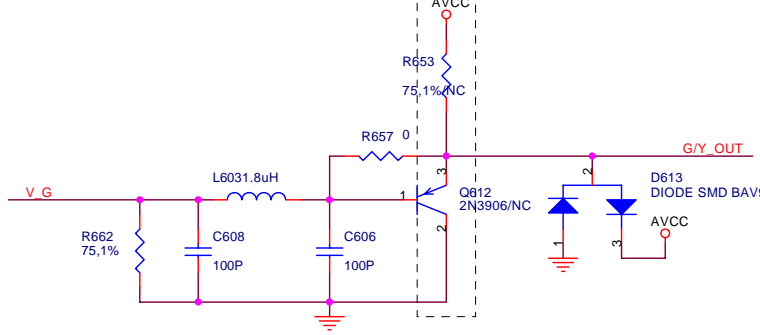
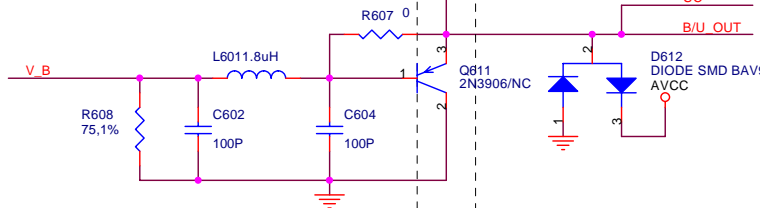
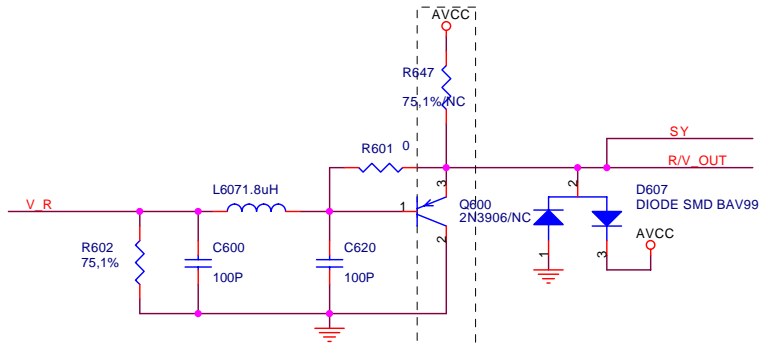
## S-FLASH



MediaTek Confidential

	<b>MediaTek (ShenZhen) Inc.</b>		
	<b>COMMON1389L/K HD65 AM5888</b>		
Size	Document Number	Drawn: WenYuan	Rev
B	SDRAM & FLASH	Checked: XJ_HAWK	6
Date:	Monday, June 11, 2007	Sheet	4 of 8

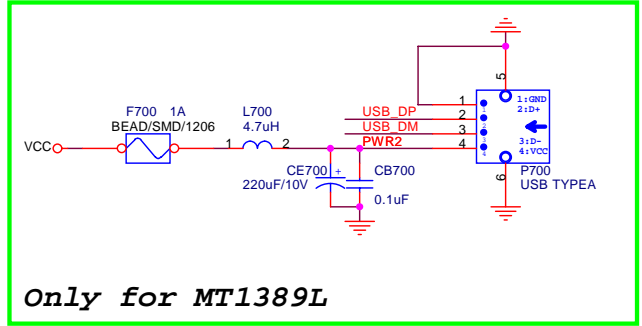
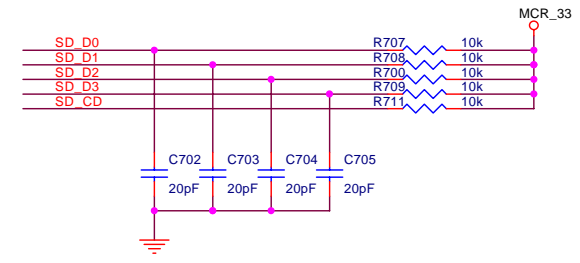
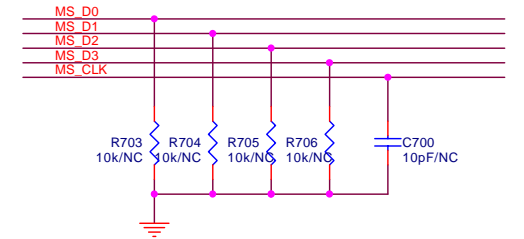
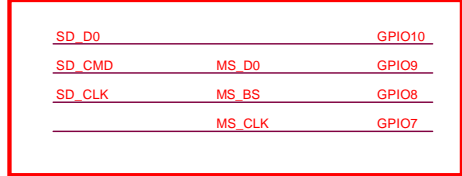
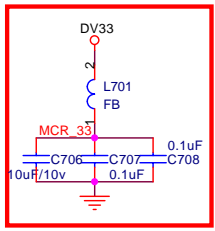
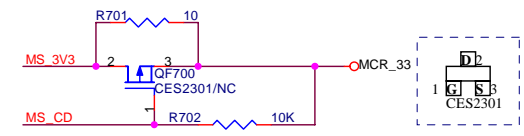
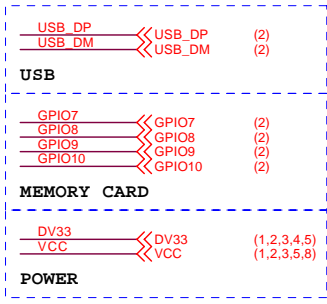
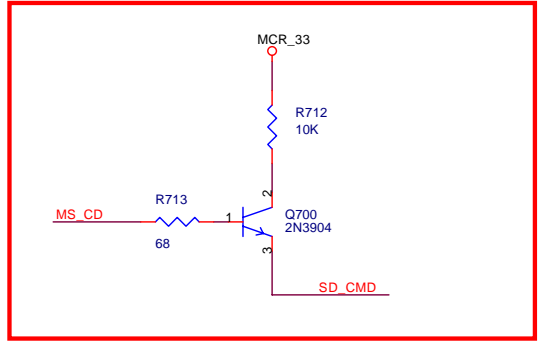
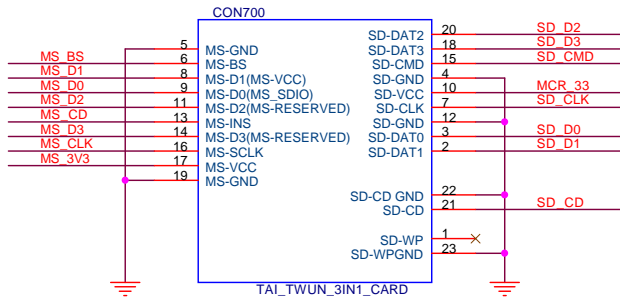




H-Impedance Mode: R660=75 1%,R642=NC.  
L-Impedance Mode: R660=75 1%,R642=75 1%.

MediaTek Confidential

	<b>MediaTek (ShenZhen) Inc.</b>		
	<b>COMMON1389L/K HD65 AM5888</b>		
Size	Document Number	Drawn: WenYuan	Rev
B	VIDEO OUT	Checked: XJ_HAWK	6
Date:	Monday, June 11, 2007	Sheet	6 of 8

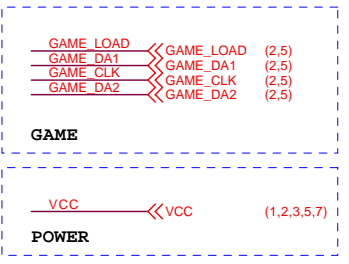
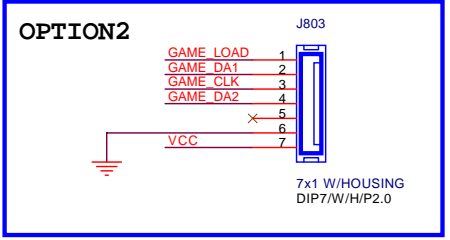
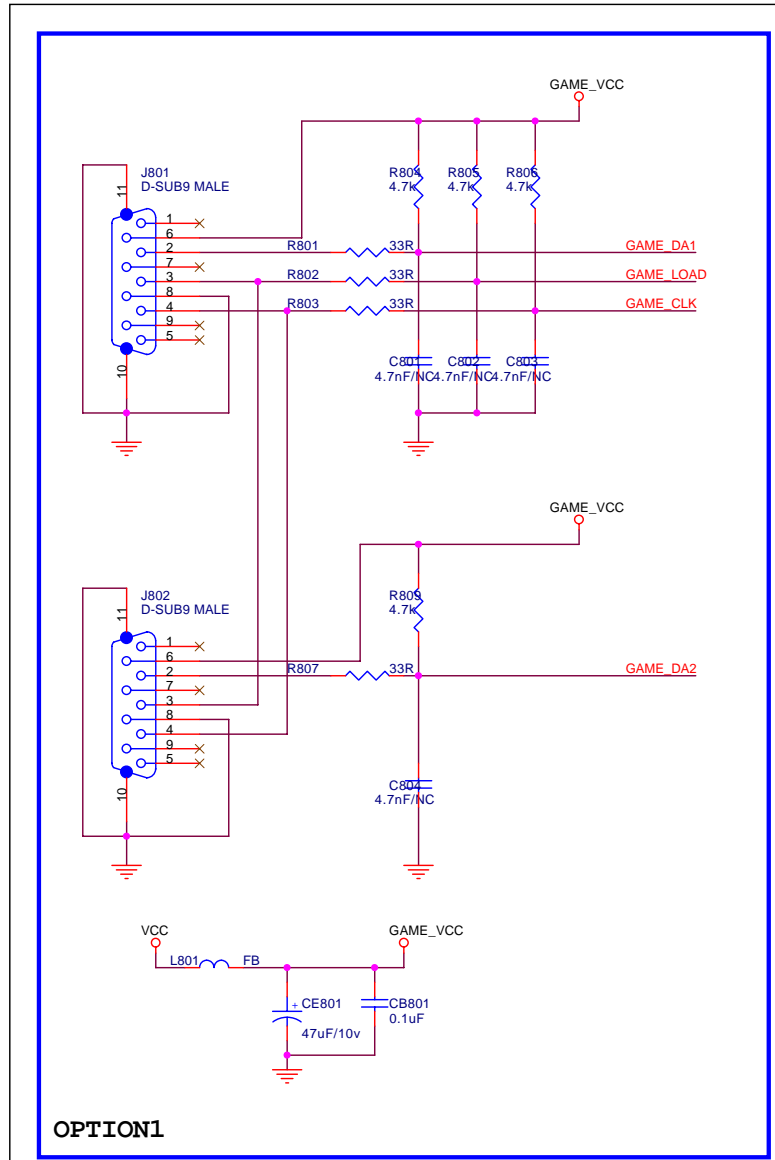


Only for MT1389L


Only For MT1389L

MediaTek Confidential

	<b>MediaTek (ShenZhen) Inc.</b>		
	<b>COMMON1389L/K HD65 AM5888</b>		
Size: B	Document Number: MS/SD & USB	Drawn: WenYuan	Rev: 6
Date: Monday, June 11, 2007		Checked: XJ_HAWK	Sheet 7 of 8



*MediaTek Confidential*

 <b>MediaTek (ShenZhen) Inc.</b>			
Size	Document Number	Drawn: WenYuan	Rev
B	GAME I/F	Checked: XJ_HAWK	6
Date:	Monday, June 11, 2007	Sheet	8 of 8