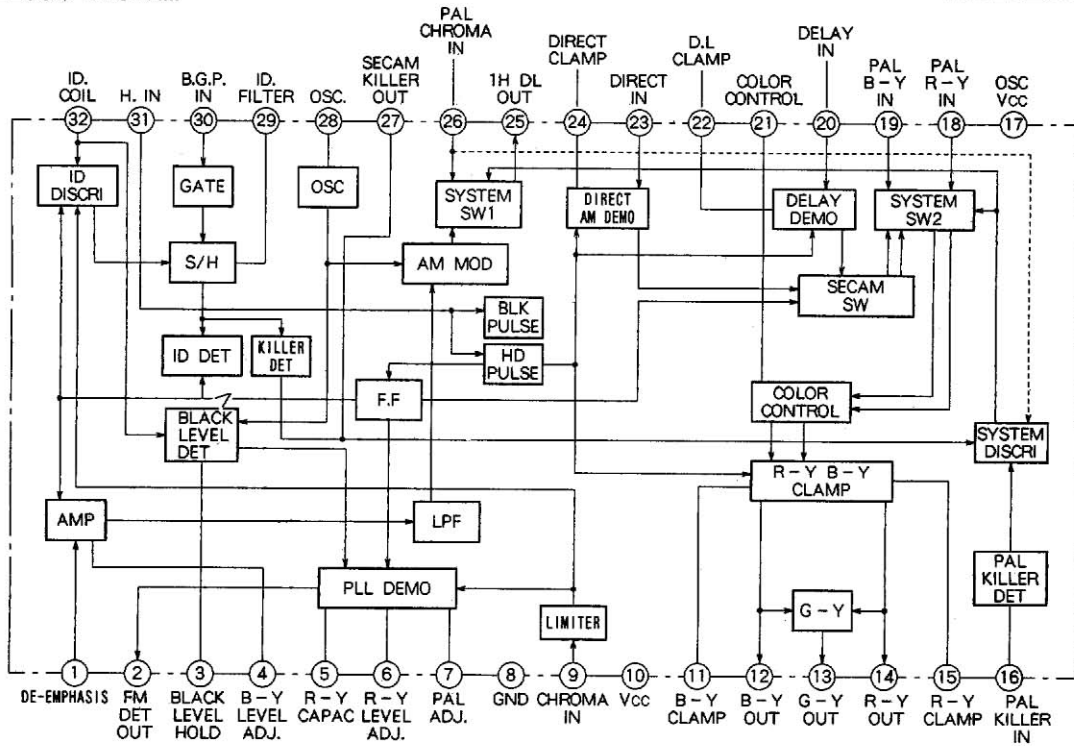
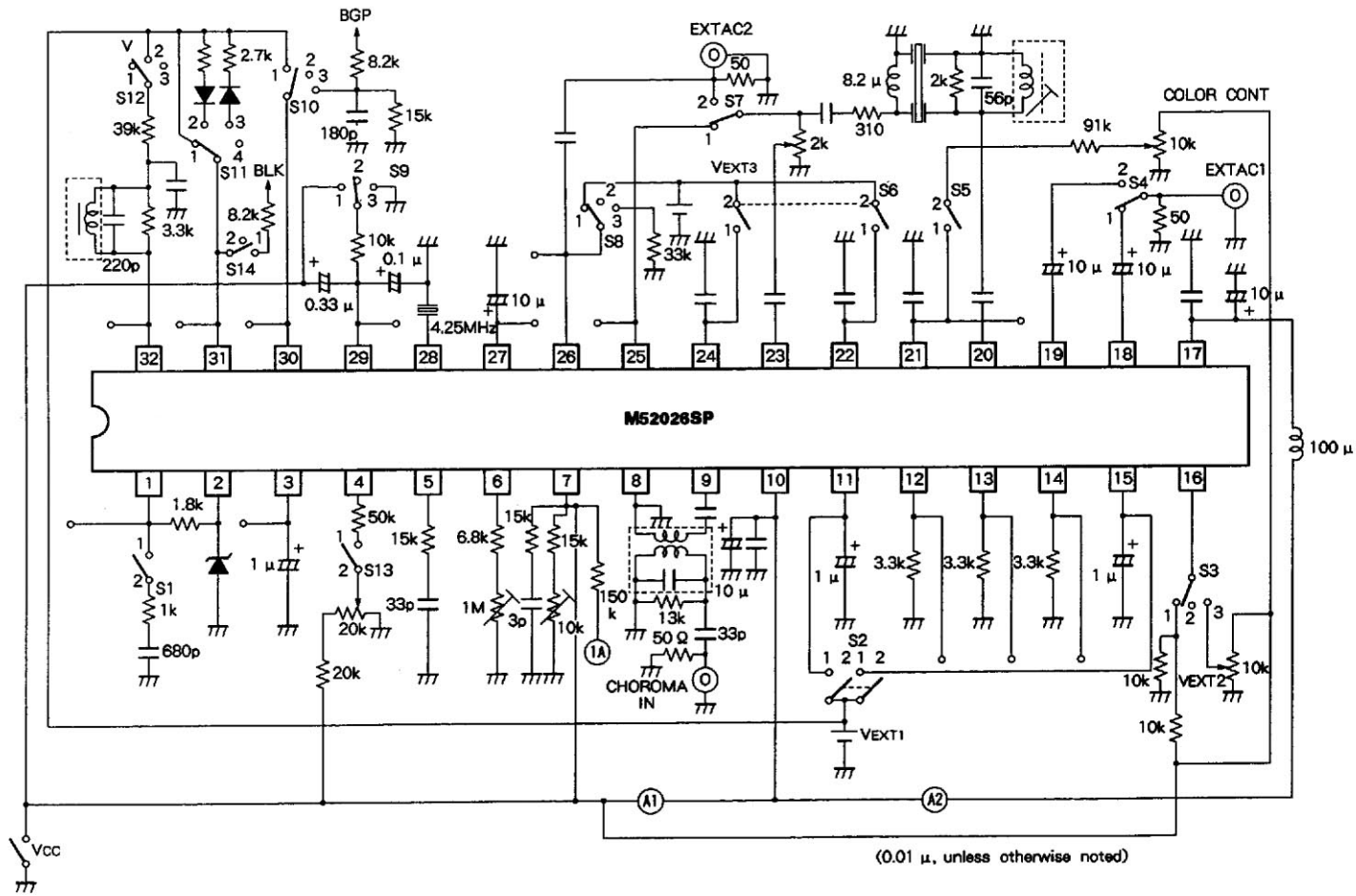


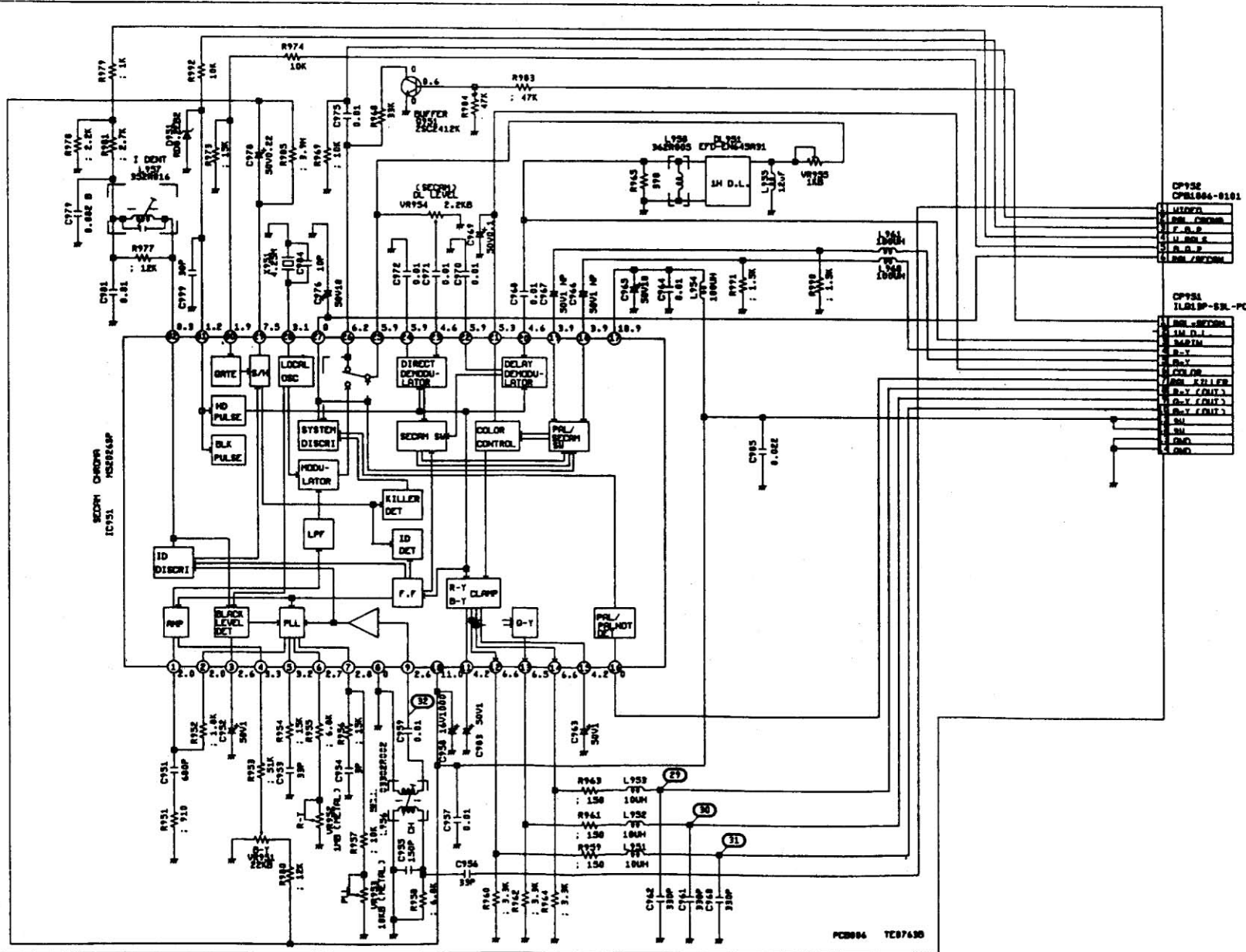
**BLOCK DIAGRAM**

**M52026SP**





(0.01 μ, unless otherwise noted)



TO 2/5  
MAIN PCB