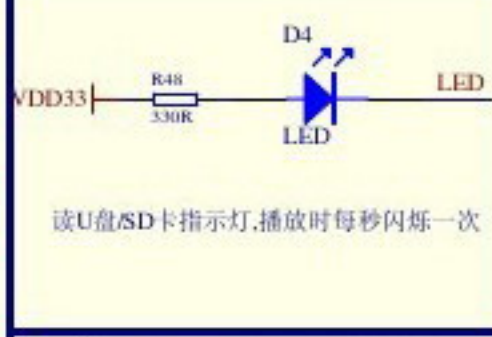
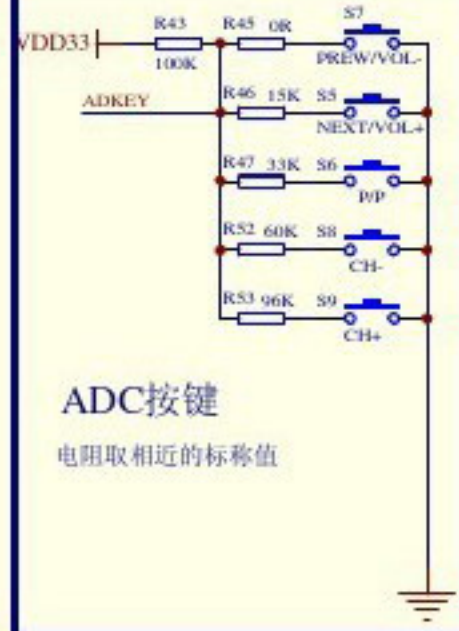
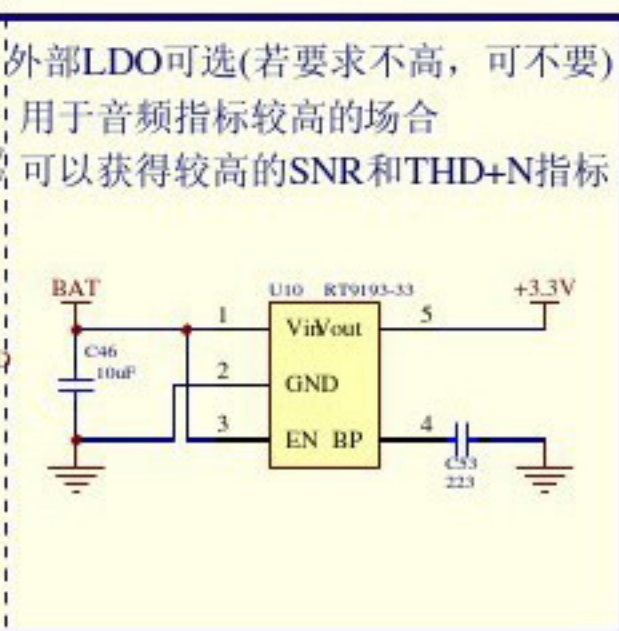
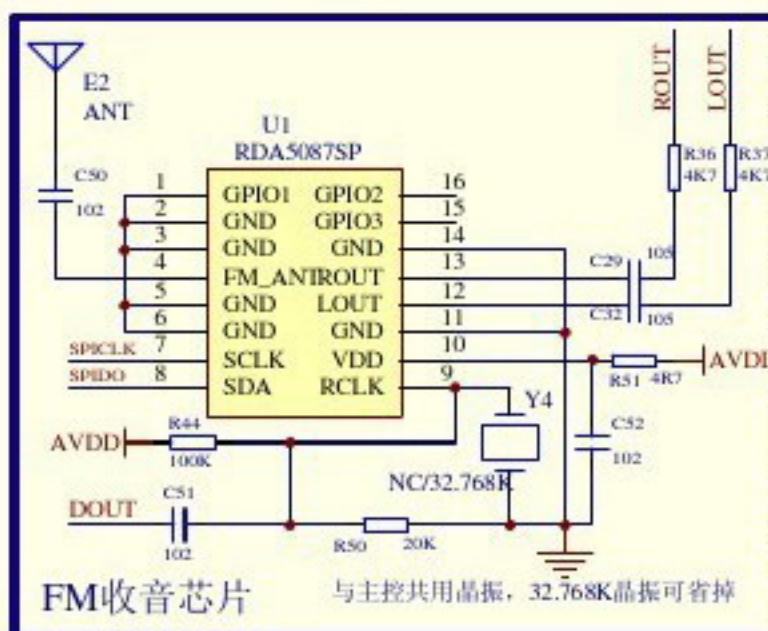
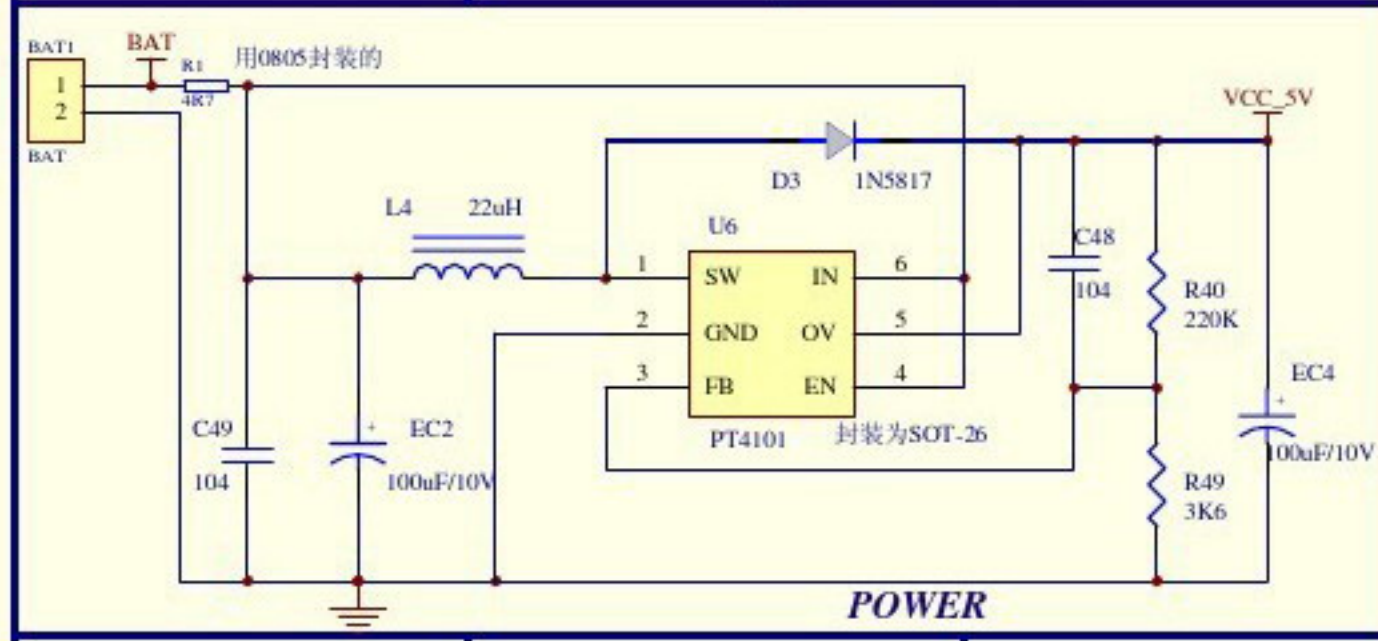
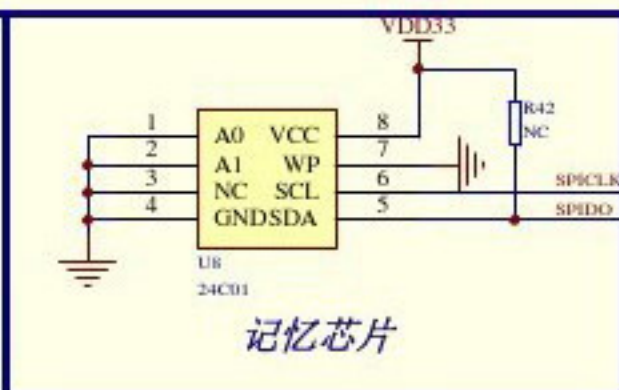
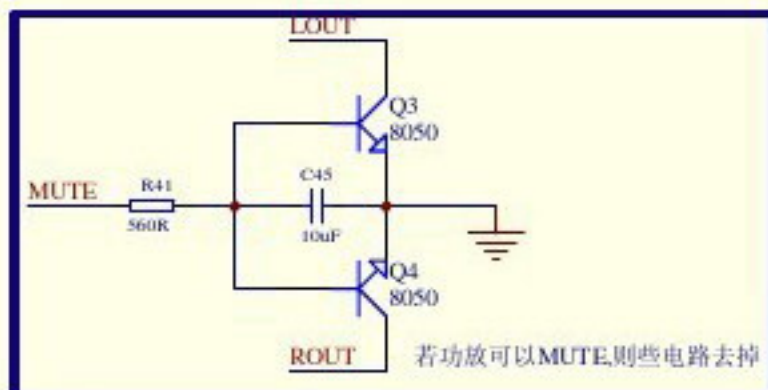
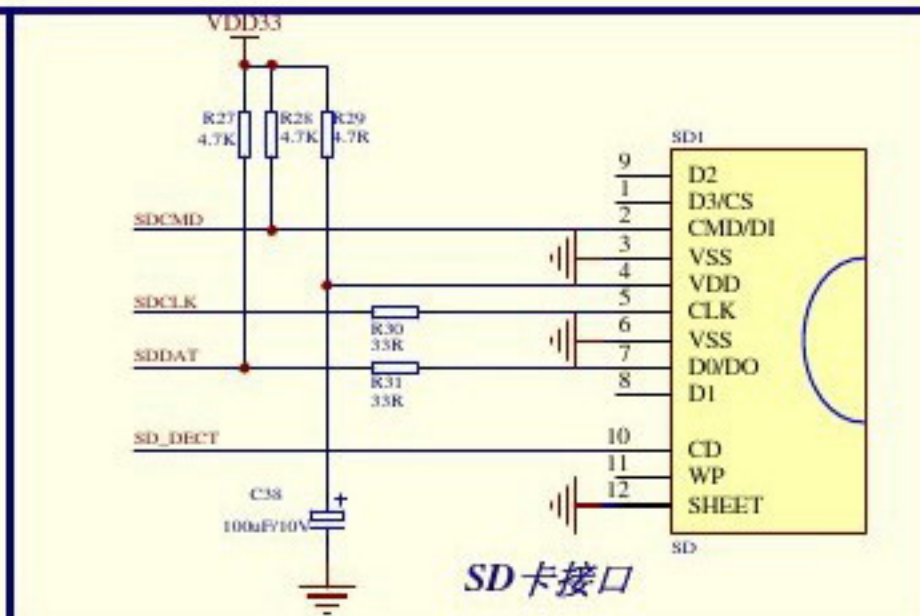
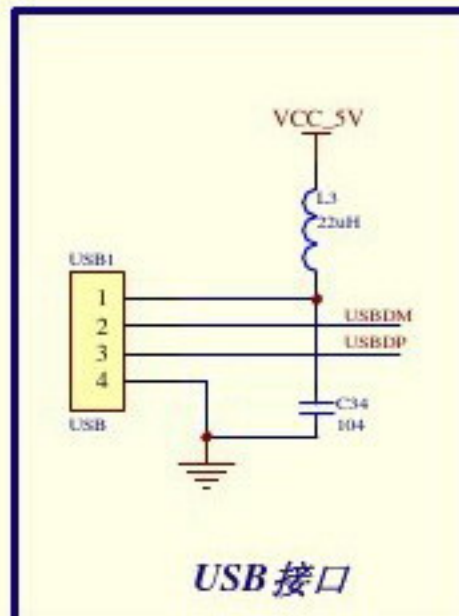
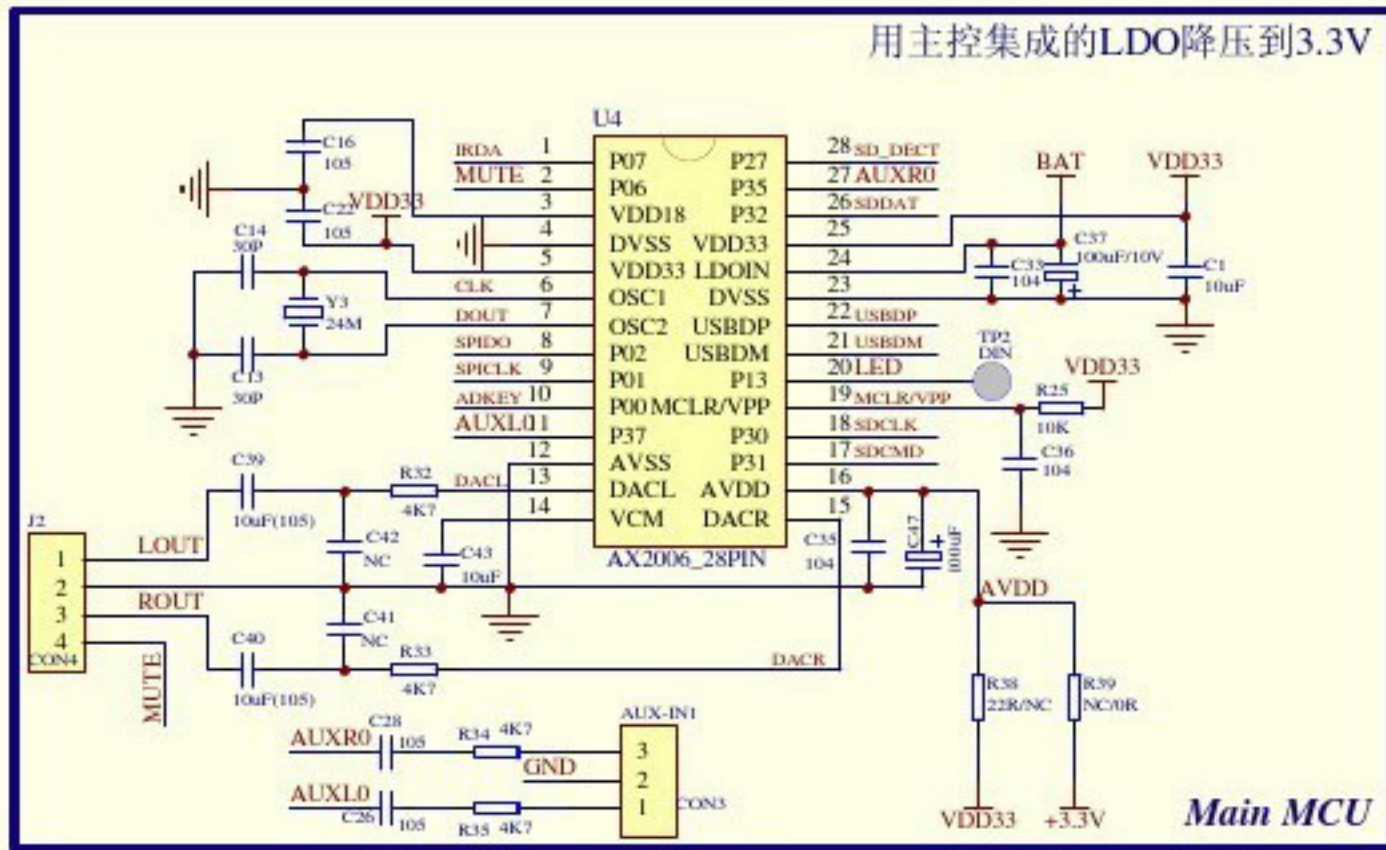


用主控集成的LDO降压到3.3V



FILE NAME : AX2006 28PIN 解码板 V2.00		
SHEET NAME : AX20xx 28PIN 解码板 V2.00		
DRAWN BY : gzhk	DATE : 2009.08.11	VERSION : V2.00
CHECKED BY : gzhk	DATE : 2009.08.11	SHEET : 1/1
APPROVED BY : gzhk	DATE : 2009.08.11	SIZE : A4