

SAMSUNG

COLOR MONITOR

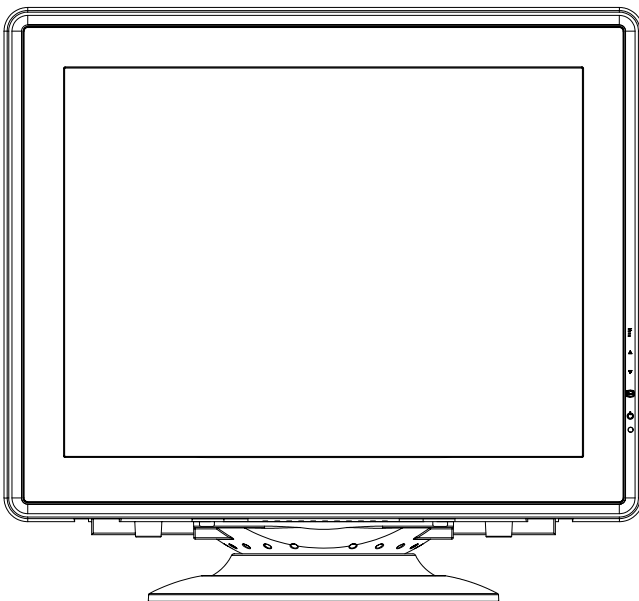
LE15V*/

LE17LS/LE17LT/LE17KS/

LE17KT/LE17JS/LE17JT

SERVICE *Manual*

COLOR MONITOR



CONTENTS

1. Precautions
2. Product Specifications
3. Disassembly & Reassembly
4. Alignment & Adjustments
5. Troubleshooting
6. Exploded View & Parts List
7. Electrical Parts List
8. Block Diagram
9. Wiring Diagram
10. PCB Layout
11. Schematic Diagrams



* This Service Manual is a property of Samsung Electronics Co., Ltd.
Any unauthorized use of Manual can be punished under applicable International and/or domestic law.

Samsung Electronics Co.,Ltd.

416, Maetan-3Dong, Yeongtong-Gu, Suwon City, Kyungki-Do, Korea, 443-742

Printed in Korea

P/N : BH82-00015J-00

URL : <http://itself.sec.samsung.co.kr/>

1 Precautions

1-1 Safety Precautions

WARNINGS

1. For continued safety, do not attempt to modify the circuit board.
2. Disconnect the AC power before servicing.
3. When the chassis is operating, semiconductor heatsinks are potential shock hazards.

1-1-1 Servicing the High Voltage circuit and CRT :

1. When servicing the high voltage circuit, remove the static charge by connecting a 10 kohm resistor in series with an insulated wire (such as a test probe) between the chassis and the anode lead.
2. When troubleshooting a monitor with excessively HV, avoid being unnecessarily close to the monitor. Do not operate the monitor for longer than is necessary to locate the cause of excessive voltage.
3. High voltage should always be kept at the rated value, no higher. Only when high voltage is excessive are X-rays capable of penetrating the shell of the CRT, including the lead in glass material. Operation at high voltages may also cause failure of the CRT or high voltage circuitry.
4. When the HV regulator is operating properly, there is no possibility of an X-ray problem. Make sure the HV does not exceed its specified value and that it is regulating correctly.
5. The CRT is especially designed to prohibit X-ray emissions. To ensure continued X-ray protection, replace the CRT only with one that is the same or equivalent type as the original.
6. Handle the CRT only when wearing shatterproof goggles and after completely discharging the high voltage anode.
7. Do not lift the CRT by the neck.

1-1-2 Fire and Shock Hazard :

Before returning the monitor to the user, perform the following safety checks:

1. Inspect each lead dress to make certain that the leads are not pinched or that hardware is not lodged between the chassis and other metal parts in the monitor.

2. Inspect all protective devices such as nonmetallic control knobs, insulating materials, cabinet backs, adjustment and compartment covers or shields, isolation resistor-capacitor networks, mechanical insulators, etc.
3. Leakage Current Hot Check (Figure 1-1):
WARNING: Do not use an isolation transformer during this test.

Use a leakage current tester or a metering system that complies with American National Standards Institute (*ANSI C101.1, Leakage Current for Appliances*), and Underwriters Laboratories (*UL Publication UL1410, 59.7*).

4. With the unit completely reassembled, plug the AC line cord directly into a 120V AC outlet. With the unit's AC switch first in the ON position and then OFF, measure the current between a known earth ground (metal water pipe, conduit, etc.) and all exposed metal parts, including: metal cabinets, screwheads and control shafts. The current measured should not exceed 0.5 milliamp. Reverse the power-plug prongs in the AC outlet and repeat the test.

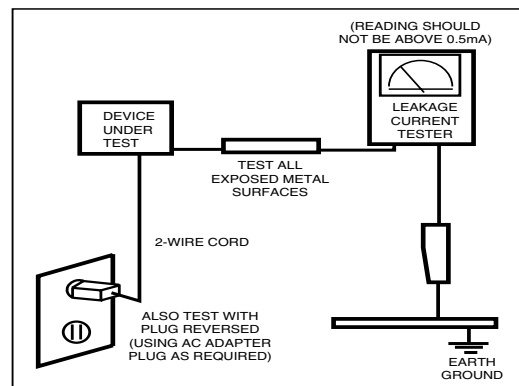


Figure 1-1. Leakage Current Test Circuit

1-1-3 Product Safety Notices

Some electrical and mechanical parts have special safety-related characteristics which are often not evident from visual inspection. The protection they give may not be obtained by replacing them with components rated for higher voltage, wattage, etc. Parts that have special safety characteristics are identified by ⚠ on schematics and parts lists. A substitute replacement that does not have the same safety characteristics as the recommended replacement part might create shock, fire and / or other hazards. Product safety is under review continuously and new instructions are issued whenever appropriate.

Components identified by ☢ on schematics and parts lists must be sealed by a soldering iron after replacement and adjustment.

1-2 Servicing Precautions

WARNING1: First read the “Safety Precautions” section of this manual. If unforeseen circumstances create conflict between the servicing precautions and safety precautions, always follow the safety precautions.


WARNING2: A high voltage VR replaced in the wrong direction may cause excessive X-ray emissions.

WARNING3: An electrolytic capacitor installed with the wrong polarity might explode.

1. Servicing precautions are printed on the cabinet, and should be followed closely.
2. Always unplug the unit’s AC power cord from the AC power source before attempting to: (a) remove or reinstall any component or assembly, (b) disconnect PCB plugs or connectors, (c) connect all test components in parallel with an electrolytic capacitor.
3. Some components are raised above the printed circuit board for safety. An insulation tube or tape is sometimes used. The internal wiring is sometimes clamped to prevent contact with thermally hot components. Reinstall all such elements to their original position.
4. After servicing, always check that the screws, components and wiring have been correctly reinstalled. Make sure that the area around the serviced part has not been damaged.
5. Check the insulation between the blades of the AC plug and accessible conductive parts (examples: metal panels, input terminals and earphone jacks).
6. Insulation Checking Procedure: Disconnect the power cord from the AC source and turn the power switch ON. Connect an insulation resistance meter (500 V) to the blades of the AC plug.
The insulation resistance between each blade of the AC plug and accessible conductive parts (see above) should be greater than 1 megohm.
7. Never defeat any of the +B voltage interlocks. Do not apply AC power to the unit (or any of its assemblies) unless all solid-state heat sinks are correctly installed.
8. Always connect a test instrument’s ground lead to the instrument chassis ground before connecting the positive lead; always remove the instrument’s ground lead last.

1-3 Electrostatically Sensitive Devices (ESD) Precautions

Some semiconductor (solid state) devices can be easily damaged by static electricity. Such components are commonly called Electrostatically Sensitive Devices (ESD). Examples of typical ESD are integrated circuits and some field-effect transistors. The following techniques will reduce the incidence of component damage caused by static electricity.

1. Immediately before handling any semiconductor components or assemblies, drain the electrostatic charge from your body by touching a known earth ground. Alternatively, wear a discharging wrist-strap device. To avoid a shock hazard, be sure to remove the wrist strap before applying power to the monitor.
2. After removing an ESD-equipped assembly, place it on a conductive surface such as aluminum foil to prevent accumulation of an electrostatic charge.
3. Do not use freon-propelled chemicals. These can generate electrical charges sufficient to damage ESDs.
4. Use only a grounded-tip soldering iron to solder or desolder ESDs.
5. Use only an anti-static solder removal device. Some solder removal devices not classified as “anti-static” can generate electrical charges sufficient to damage ESDs.
6. Do not remove a replacement ESD from its protective package until you are ready to install it. Most replacement ESDs are packaged with leads that are electrically shorted together by conductive foam, aluminum foil or other conductive materials.
7. Immediately before removing the protective material from the leads of a replacement ESD, touch the protective material to the chassis or circuit assembly into which the device will be installed.
Caution: Be sure no power is applied to the chassis or circuit and observe all other safety precautions.
8. Minimize body motions when handling unpackaged replacement ESDs. Motions such as brushing clothes together, or lifting your foot from a carpeted floor can generate enough static electricity to damage an ESD.
9.  Indicates ESDs on the Schematic Diagram in this manual.

2 Product Specifications

2-1 LE15V* Specifications

Item		Description
Picture Tube:		15-Inch (38 cm): 13.8-inch (35 cm) viewable, Full-square flat-face tube, 90° Deflection, Semi- tint, Non-glare, Invar shadow mask, Anti-static silica coating, 0.28 mm Dot pitch
Scanning Frequency	Horizontal Vertical	30 KHz ~ 55 KHz (Automatic) 50 Hz ~ 120 Hz (Automatic)
Display Colors		Unlimited colors
Maximum Resolution	Horizontal Vertical	1024 Dots 768 Lines
Input Video Signal		Analog, 0.7 V _{p-p} positive at 75 Ω , internally terminated
Input Sync Signal		Separate Sync : TTL level positive/negative
Maximum Pixel Clock rate		65 MHz
Active Display		Horizontal : 267 mm \pm 4 mm, Vertical : 200 mm \pm 4 mm
Input Voltage		AC 90 ~ 264 Volts, 60 Hz / 50 Hz \pm 3 Hz
Power Consumption		70 Watt (Max)
Dimensions Set (W x D x H) Package		14.2 x 14.8 x 11.5 Inches (361 x 376 x 292 mm) Stand of stand installed 17.3 x 18.3 x 14.8 Inches (439 x 464 x 376 mm)
Weight (Set/Package)		11.0 kg (24.3 lbs) Stan of stand installed / 12.5 kg (27.6 lbs)
Environmental Considerations		Operating Temperature : 32°F ~ 104°F (0°C ~ 40°C) Humidity : 10 % ~ 80 % Storage Temperature : -4°F ~ 113°F (-20°C ~ 45°C) Humidity : 5 % ~ 95 %
<ul style="list-style-type: none"> • Designs and specifications are subject to change without prior notice. 		

2-2 LE17LS/LE17LT/LE17KS/LE17KT/LE17JS/LE17JT Specifications

Item	Description
Picture Tube	17-Inch (43 cm): 16-inch (40.6 cm) viewable, Flat-face, 90° Deflection, 0.20 mm (Horizontal) Dot pitch, Silica coated with anti-electrostatic properties (TCO: Multilayer coating), Medium-short persistence phosphor
Scanning Frequency	Horizontal : 30 kHz ~ 70 kHz , 30kHz ~ 85 kHz Vertical : 50 Hz ~ 160 Hz
Display Colors	Unlimited colors
Maximum Resolution	Horizontal : 1280 Dots, 70K / 1600 Dots, 85K Vertical : 1024 Lines, 70K / 1200 Dots, 85K
Input Video Signal	Analog, 0.7 Vp-p positive at 75 Ω , internally terminated
Input Sync Signal	Separate Sync: TTL level, positive/negative
Maximum Pixel Clock rate	110 MHz
Active Display	Horizontal : 312 mm \pm 4 mm, Vertical : 234 mm \pm 4 mm
Input Voltage	AC 100 - 240C, 60 / 50 Hz 1.2A
Power Consumption	90 Watt (Max) 85K, 80Watt (Max) 70K
Dimensions Set (W x D x H) Package	15.8 x 16.1 x 12.7 Inches (401 x 410 x 323 mm) Stand of stand installed 18.3 x 20.4 x 18.1 Inches (464 x 518 x 459 mm)
Weight (Set/Package)	14.3 kg (31.5 lbs) Stand of stand installed / 16.2 kg (35.7 lbs)
Environmental Considerations	Operating Temperature : 32°F ~ 104°F (0°C ~ 40°C) Humidity : 10 % ~ 80 % Storage Temperature : -4°F ~ 113°F (-20°C ~ 45°C) Humidity : 5 % ~ 95 %
<ul style="list-style-type: none"> • Designs and specifications are subject to change without prior notice. 	

2-3 Pin Assignments

Pin No. \ Sync Type	Separate	Macintosh
1	Red	GND-R
2	Green	Red
3	Blue	H/V Sync
4	GND	Sense 0
5	DDC Return	Green
6	GND-R	GND-G
7	GND-G	Sense 1
8	GND-B	Reserved
9	DC 5V	Blue
10	GND-Sync/Self-raster	Sense 2
11	GND	GND
12	DDC Data	V-Sync
13	H-Sync	GND-B
14	V-Sync	GND
15	DDC Clock	H-Sync

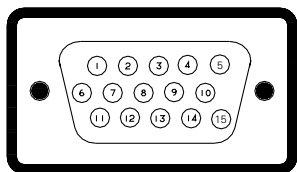


Figure 2-1. Male Type

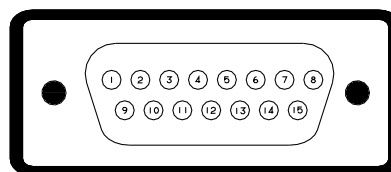


Figure 2-2. Male Type

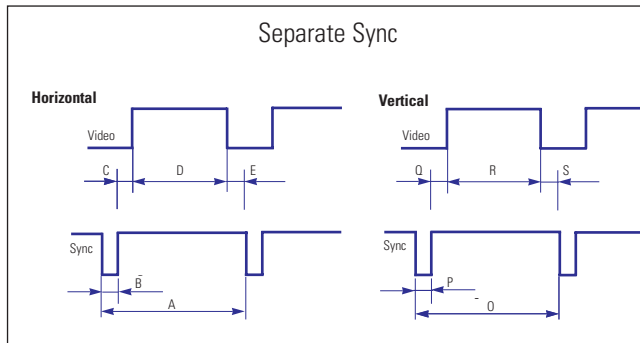
2-4 Timing Chart

This section of the service manual describes the timing that the computer industry recognizes as standard for computer-generated video signals.

2-4-1 LE15V*

Table 2-1 Timing Chart

Mode \ Timing	VESA (LE15V* Only)		
	640/75 Hz 640 x 480	640/85 Hz 640 x 480	800/85 Hz 800 x 600
fH (kHz)	37.500	43.269	53.674
A μsec	26.667	23.111	18.631
B μsec	2.032	1.556	1.138
C μsec	3.810	2.222	2.702
D μsec	20.317	17.778	14.222
E μsec	0.508	1.556	0.569
fV (Hz)	75.000	85.008	85.061
O msec	13.333	11.764	11.756
P msec	0.080	0.671	0.056
Q msec	0.427	0.578	0.503
R msec	12.800	11.093	11.179
S msec	0.027	0.023	0.019
Clock Frequency (MHz)	31.500	36.000	56.250
Polarity H.Sync	Negative	Negative	Positive
V.Sync	Negative	Negative	Positive
Remark	Separate	Separate	Separate

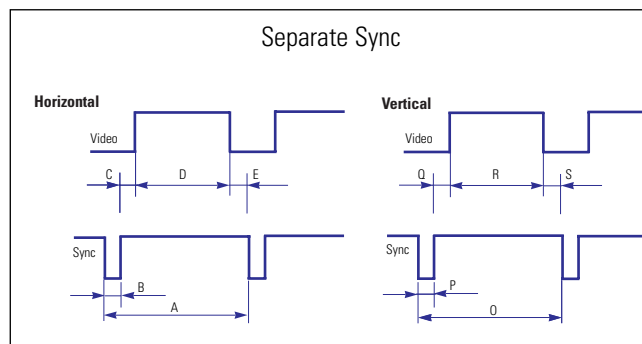


A : Line time total	B : Horizontal sync width	O : Frame time total	P : Vertical sync width
C : Back porch	D : Active time	Q : Back porch	R : Active time
E : Front porch		S : Front porch	

2-4-2 LE17LS/LE17LT/LE17KS/LE17KT

Table 2-2 Timing Chart

Mode \ Timing	VESA		
	640/75 Hz 640 x 480	800/85 Hz 800 x 600	1024/85 Hz 1024 x 768
fH (kHz)	37.500	53.674	68.677
A μ sec	26.667	18.631	14.561
B μ sec	2.032	1.138	1.016
C μ sec	3.810	2.702	2.201
D μ sec	20.317	14.222	10.836
E μ sec	0.508	0.569	0.508
fV (Hz)	75.000	85.061	84.997
O msec	13.333	11.756	11.765
P msec	0.080	0.056	0.044
Q msec	0.427	0.503	0.524
R msec	12.800	11.179	11.183
S msec	0.027	0.019	0.015
Clock Frequency (MHz)	31.500	56.250	94.500
Polarity H.Sync	Negative	Positive	Positive
V.Sync	Negative	Positive	Positive
Remark	Separate	Separate	Separate

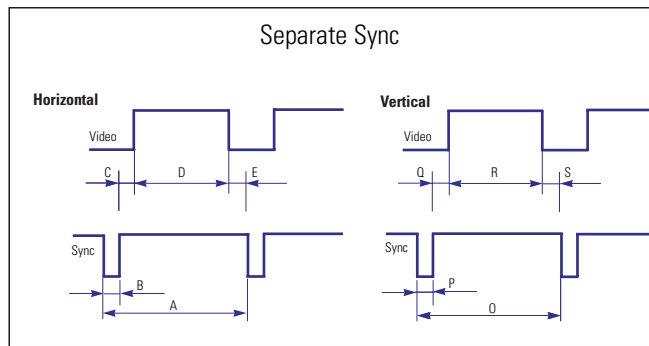


A : Line time total	B : Horizontal sync width	O : Frame time total	P : Vertical sync width
C : Back porch	D : Active time	Q : Back porch	R : Active time
E : Front porch		S : Front porch	

2-4-3 LE17JS/LE17JT

Table 2-3 Timing Chart

Mode Timing	VESA		
	640/75 Hz 640 x 480	1024/85 Hz 1024 x 768	1280/75 Hz 1280 x 1024
fH (kHz)	37.500	68.677	79.976
A μsec	26.667	14.561	12.504
B μsec	2.032	1.016	1.067
C μsec	3.810	2.201	1.837
D μsec	20.317	10.836	9.481
E μsec	0.508	0.508	0.119
fV (Hz)	75.000	84.997	75.025
O msec	13.333	11.765	13.329
P msec	0.080	0.044	0.038
Q msec	0.427	0.524	0.475
R msec	12.800	11.183	12.804
S msec	0.027	0.015	0.013
Clock Frequency (MHz)	31.500	94.500	135.000
Polarity H.Sync	Negative	Positive	Positive
V.Sync	Negative	Positive	Positive
Remark	Separate	Separate	Separate



A : Line time total	B : Horizontal sync width	O : Frame time total	P : Vertical sync width
C : Back porch	D : Active time	Q : Back porch	R : Active time
E : Front porch		S : Front porch	

3 Disassembly and Reassembly

This section of the service manual describes the disassembly and reassembly procedures for the LE15V*/LE17LS/LE17LT/LE17KS/LE17KT/LE17JS/LE17JT TFT-LCD monitors.

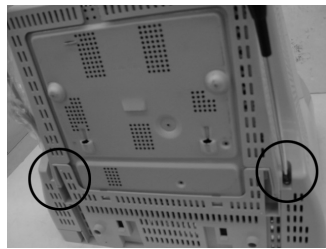
WARNING: This monitor contains electrostatically sensitive devices. Use caution when handling these components.

3-1-1 LE15V*

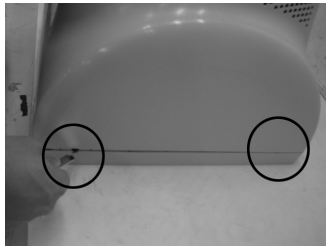
Cautions: 1. Disconnect the monitor from the power source before disassembly.

2. Follow these directions carefully; never use any metal instrument except provided jig to separate the cabinet.

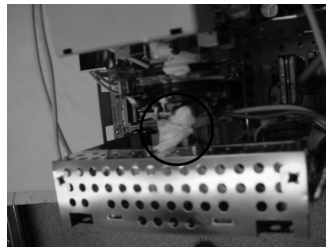
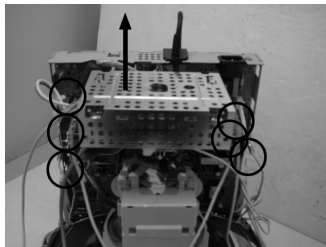
3. R/Cover opening jig : BH81-00001A



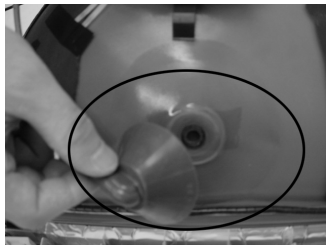
1. Release the snaps on the rear stand and pull the stand backwards from the monitor and remove 2 screws from the rear top shield.



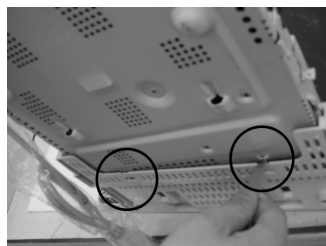
2. Insert the opening jig into the grooves at each side and press until it clicks and lift up the rear cover.



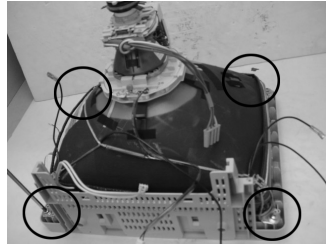
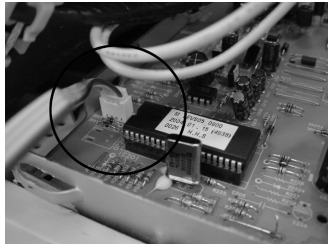
3. Disconnect 6 ground from the shield video and carefully remove the silicon glue on the CDT socket with a razor.
⚠ Caution : CDT socket may be easily damaged. Please use caution when removing the silicon glue.



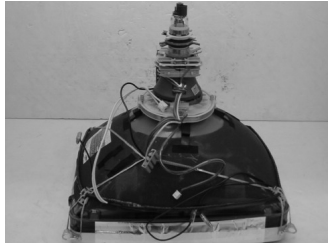
4. High voltage may be present.
⚠ Caution : Remove the high voltage cap from the CDT.



5. Disconnect DY cable, D-COIL cable from the CDT socket. Using the jig, release the snaps connecting the front cover and the PCB. Lift up the bottom to separate the two shields.

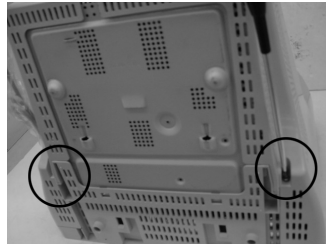


6. Disconnect function wire connector from the MAIN board. Remove 4 screws from the front cover.

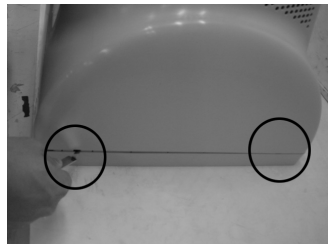


7. Remove CDT from the front cover.

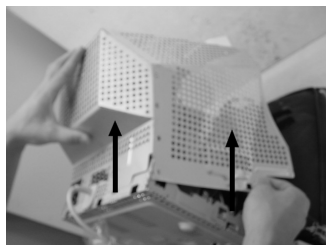
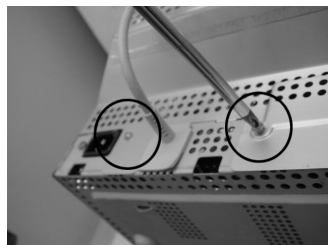
3-1-2 LE17KS/LE17KT/LE17JS/LE17JT



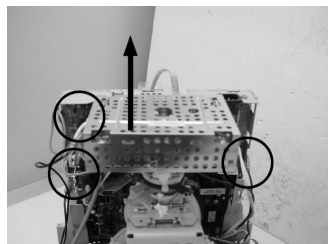
1. Release the snaps on the rear stand and pull the stand backwards from the monitor and remove 2 screws from the rear top shield.



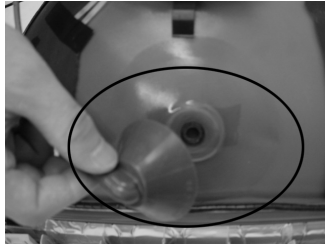
2. Insert the opening jig into the grooves at each side and press until it clicks and lift up the rear cover.



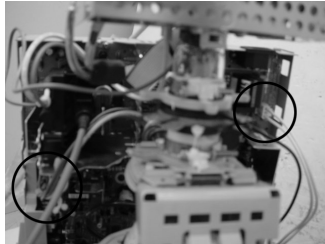
3. Remove 2 screws from the shield and lift up the shield.



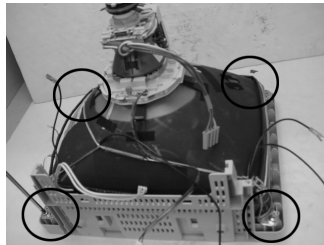
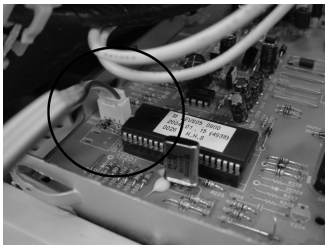
4. Disconnect 3 ground from the shield video and carefully remove the silicon glue on the CDT socket with a razor.
⚠ Caution : CDT socket may be easily damaged. Please use caution when removing the silicon glue.



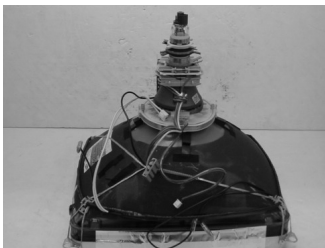
5. High voltage may be present.
⚠ Caution : Remove the high voltage cap from the CDT.



6. Disconnect DY cable, D-COIL cable from the CDT socket. Using the jig, release the snaps connecting the front cover and the PCB. Lift up the bottom to separate the two shields.

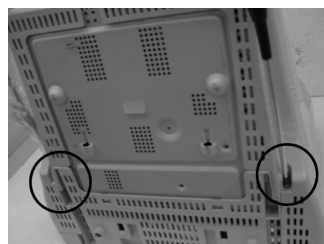


7. Disconnect function wire connector from the MAIN board. Remove 4 screws from the front cover.

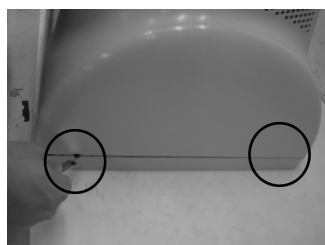


8. Remove CDT from the front cover.

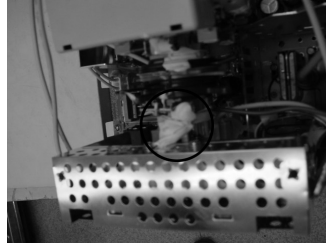
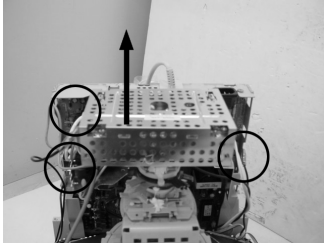
3-1-3 LE17LS/LE17LT



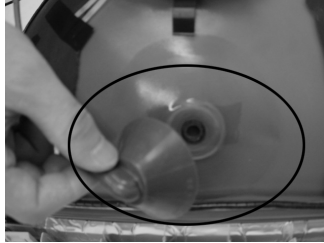
1. Release the snaps on the rear stand and pull the stand backwards from the monitor and remove 2 screws from the rear top shield.



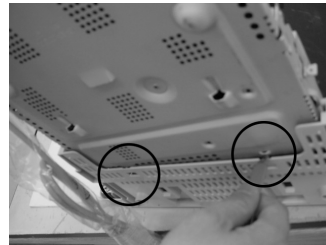
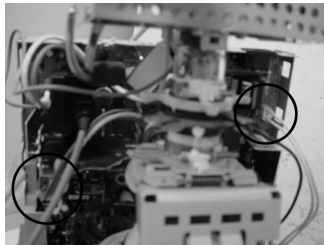
2. Insert the opening jig into the grooves at each side and press until it clicks and lift up the rear cover.



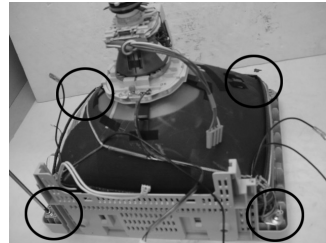
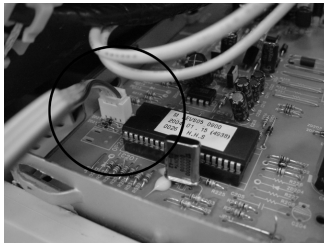
3. Disconnect 3 ground from the shield video and carefully remove the silicon glue on the CDT socket with a razor.
⚠ **Caution : CDT socket may be easily damaged. Please use caution when removing the silicon glue.**



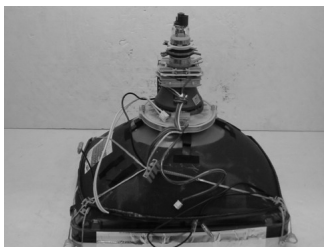
4. High voltage may be present.
⚠ **Caution : Remove the high voltage cap from the CDT.**



5. Disconnect DY cable, D-COIL cable from the CDT socket. Using the jig, release the snaps connecting the front cover and the PCB. Lift up the bottom to separate the two shields.



6. Disconnect function wire connector from the MAIN board. Remove 4 screws from the front cover.



7. Remove CDT from the front cover.

3-2 Reassembly

Reassembly procedures are in the reverse order of disassembly procedures.

4 Alignment and Adjustments

This section of the service manual explains how to make permanent adjustments to the monitor. Directions are given for adjustments using the monitor Interface Board Ver. 2.0 and software (Softjig).

4-1 Adjustment Conditions

Caution: Changes made without the Softjig are saved only to the user mode settings. As such, the settings are not permanently stored and may be inadvertently deleted by the user.

4-1-1 Before Making Adjustments

4-1-1 (a) ORIENTATION

When servicing, always face the monitor to the east.

4-1-1 (b) WARM-UP TIME

The monitor must be on for 30 minutes before starting alignment. Warm-up time is especially critical in color temperature and white balance adjustments.

4-1-1 (c) SIGNAL

Analog, 0.7 Vp-p positive at 75 ohm, internal termination

Sync: Separate

(TTL level negative/positive)

4-1-1 (d) SCANNING FREQUENCY

Horizontal : 30 kHz to 54 kHz (15" Automatic)

Horizontal : 30 kHz to 70 kHz (17" 70kHz Automatic)

Horizontal : 30 kHz to 85 kHz (17" 85kHz Automatic)

Vertical : 50 Hz to 120 Hz (15" Automatic)

Vertical : 50 Hz to 160 Hz (17" Automatic)

Unless otherwise specified, adjust at the 800 x 600 mode (15" 54 kHz/85 Hz), 1024 x 768 mode (17" 68 kHz/85 Hz), Refer to Table 2-1 on page 2-3.

4-1-2 Required Equipment

The following equipment may be necessary for adjustment procedures:

4-1-2 (a) DISPLAY CONTROL ADJUSTMENT

1. Non-metallic (-) screwdriver: 1.5, 2.5, 3 mm
2. Non-metallic (+) screwdriver: 1.5, 2.5, 3 mm
3. Digital Multimeter (DMM), or Digital Voltmeter
4. Signal generator, or DM200 software
5. Personal computer

4-1-2 (b) COLOR ADJUSTMENTS

1. All equipment listed in 4-1-2 (a), above
2. Color analyzer, or any luminance measurement equipment.

4-1-3 After Making Adjustments

After finishing all adjustments, test the monitor in all directions. If, for example, the monitor does not meet adjustment specifications when facing north, reposition the monitor to face east and readjust. This time, try for an adjustment closer to the ideal setting within the tolerance range. Test the unit again in all directions. If the monitor again fails to meet specifications in every direction, contact your Regional After Service Center for possible CRT replacement.

4-2 Display Control Adjustments

4-2-1 HIGH VOLTAGE

Signal:	800 x 600 (15" 54 kHz/85 Hz)
	1024 x 768 (17" 68 kHz/85 Hz)
Display image:	Don't care
Contrast:	Minimum
Brightness:	Minimum
Limit:	25.0 kV ± 0.3 kV (15")
	26.0 kV ± 0.3 kV (17")

Measure the high voltage level at the anode cap.
High voltage should be within the limit as above.

4-2-2 CENTER RASTER (17" 85kHz only)

Adjust SW401 so that the back raster comes to the center when you apply basic mode for 17".

4-2-3 Centering

Centering means to position the center point of the display in the middle of the display area.
Horizontal size and position and vertical size and position control the centering of the display.

Adjust the horizontal size and vertical size to their optimal settings: 267 mm (H) x 200 mm (V) : (15")
312 mm (H) x 234 mm (V) : (17").

Adjust the horizontal position and vertical position to ≤ 5.0 mm of the center point of the screen.

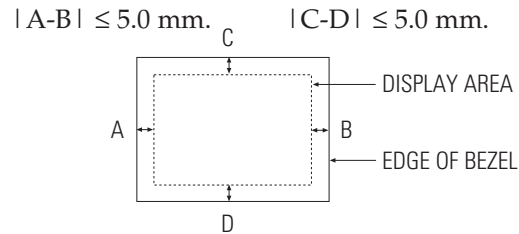


Figure 4-1. Centering

* In Softjig window, "Geometry" has to be selected for GD adjustment.

4-2-3 (a) HORIZONTAL SIZE ADJUSTMENT

CONDITIONS

Scanning frequency:	54 kHz/85 Hz (15")
	68 kHz/85 Hz (17")
Display image:	Crosshatch pattern
Brightness:	Maximum
Contrast:	Maximum

Click Standard Dump on the right Menu in the general field.

Use control bar after selecting size B+ in the left Menu to adjust the horizontal size of the display, Pattern to 267mm(Tolerance : ±4mm.)(15")
Pattern to 312mm(Tolerance : ±4mm.)(17")

Run the All Mode save in the Right Menu.

Caution : Do not Run the All mode Save at the other scannig times except for 800 x 600 (54 kHz/85 Hz) -> 15" 1024x768 (68kHz/85Hz) -> 17".

4-2-3 (b) VERTICAL SIZE ADJUSTMENT

CONDITIONS

Scanning frequency:	54 kHz/85 Hz
	68 kHz/85 Hz
Display image:	Crosshatch pattern
Brightness:	Maximum
Contrast:	Maximum

Use control bar after selecting "V-SIZE" in left menu to adjust the vertical size of the display pattern to 200 mm.(Tolerance: ± 4 mm.) : 15",
234 mm.(Tolerance: ± 4 mm.) : 17"

4-2-3 (c) HORIZONTAL POSITION ADJUSTMENT

CONDITIONS

Scanning frequency:	54 kHz/85 Hz : 15"
	68 kHz/85 Hz : 17"
Display image:	Crosshatch pattern

Use control bar after selecting "H-POSITION" in left menu to center the horizontal image on the raster.

4-2-3 (d) VERTICAL POSITION ADJUSTMENT

CONDITIONS

Scanning frequency:	54 kHz/85 Hz : 15"
	68 kHz/85 Hz : 17"
Display image:	Crosshatch pattern

Use control bar after selecting "V-POSITION" in left menu to center the vertical image on the raster.

4-2-4 Linearity

Linearity affects the symmetry of images as they appear on the screen. Unless each row or column of blocks in a crosshatch pattern is of equal size, or within the tolerances shown in Tables 4-2 and 4-3, an image appears distorted, elongated or squashed.

Table 4-1. Standard Modes Linearity:
800 x 600 / 85Hz (15")

	Adjacent Linearity	Entire Linearity
Preset mode	≤ 4%	≤ 8%
Pre-load mode (48kHz~)	≤ 5%	≤ 14%

* Preset Mode : 54KHz / 85Hz
Pre-load Mode : Refer to Timing Chart

Table 4-2. Standard Modes Linearity:
1024 x 768 / 85Hz (17")

	Standard Modes Linearity	
	Each block (10 %)	Difference between adjacent blocks (4 %)
4 : 3	Horizontal: 20.9~23.1 Vertical : 20.9~23.1	Horizontal: Less than 0.88 mm Vertical : Less than 0.88 mm

Table 4-3. Other Modes Linearity:
above 40 KHz(Hf) : 17"

	Supported Timing Mode	
	Each block (14 %)	Difference between adjacent blocks (5 %)
4 : 3	Horizontal: 20.5~23.5 Vertical : 20.5~23.5	Horizontal: Less than 1.10 mm Vertical : Less than 1.10 mm

Off Spec : Under 40 KHz (Hf)

4-2-4 (a) VERTICAL LINEARITY ADJUSTMENT

CONDITIONS

Scanning frequency: 54 kHz/85 Hz : 15"
68 kHz/85 Hz : 17"

Display image: Crosshatch pattern
Brightness: Maximum
Contrast: Maximum

To adjust the Vertical Linearity, refer to Tables 4-2 and 4-3 for the tolerance range.

Use control bar after selecting "V-LINEARITY BAL" in left menu to optimize the image.

4-2-5 Trapezoid Adjustment

CONDITIONS

Scanning frequency: 54 kHz/85 Hz : 15"

68 kHz/85 Hz : 17"
Crosshatch pattern
Brightness: Maximum
Contrast: Maximum

Display image:
Brightness:
Contrast:

Use control bar after selecting "TRAPEZOID" in left menu to make the image area rectangular.

$$|A - B| < 4 \text{ mm}$$

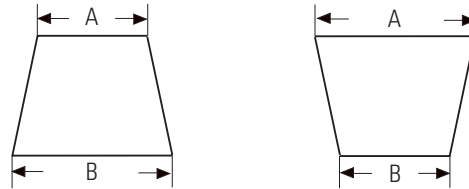


Figure 4-2. Trapezoid

4-2-6 Pinbalance Adjustment

CONDITIONS

Scanning frequency: 54 kHz/85 Hz : 15"
68 kHz/85 Hz : 17"

Display image: Crosshatch pattern
Brightness: Maximum
Contrast: Maximum

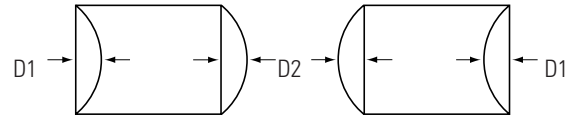


Figure 4-3. Pinbalance

Use control bar after selecting "PINBALANCE" in left menu to optimize the image.

4-2-7 Parallelogram Adjustment

CONDITIONS

Scanning Frequency: 54 kHz/85 Hz : 15"
68 kHz/85 Hz : 17"

Display image: Crosshatch pattern
Brightness: Maximum
Contrast: Maximum

Use control bar after selecting "PARALLEL" in left menu to make the image area rectangular.

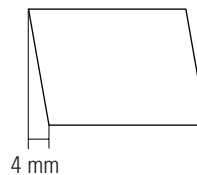


Figure 4-4. Parallelogram

4-2-8 Side Pincushion Adjustment

CONDITIONS

Scanning frequency: 54 kHz/85 Hz : 15"
68 kHz/85 Hz : 17"
Display image: Crosshatch pattern

Use control bar after selecting "PINCUSHION" in left menu to straighten the sides of the image area.

$$|C1|, |C2| \leq 2.0 \text{ mm}, |D1|, |D2| \leq 2.0 \text{ mm}.$$

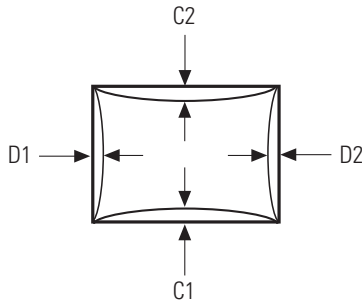


Figure 4-5. Pincushion

4-2-9 Degauss

No adjustments are available for the degaussing circuit. The degaussing circuit can effectively function only once every 30 minutes.

4-2-10 To Delete the User Mode Data

To delete the adjustment data from the user modes, click "@4: USER DELETE" in right menu.

4-2-11 Save the Data

To save the adjustment data for a mode, press "@3: ALL MODE SAVE" in right menu.

4-3 Color Adjustments

CAUTION: Check below condition before color adjustment

Video signal : Analog 0.7 Vp-p (at 75 Ω)
Sync : TTL level (H, V separate signal)

* Select "Color" in Softjig menu for color adjustment.

4-3-1 Color Coordinates (Temperature)

Color temperature is a measurement of the radiant energy transmitted by a color. For computer monitors, the color temperature refers to the radiant energy transmitted by white. Color coordinates are the X and Y coordinates on the chromaticity diagram of wavelengths for the visible spectrum.

CONDITIONS

Measurement instrument: Color analyzer
Scanning frequency: 54 kHz/85 Hz : 15"
68 kHz/85 Hz : 17"
Display image: White flat field at center of display area
Luminance: Maximum

PROCEDURE

Use the directions in sections 4-3-2 through 4-3-3 to adjust the color coordinates for:

9300K to $x = 0.283 \pm 0.02$, $y = 0.298 \pm 0.02$
6500K to $x = 0.313 \pm 0.02$, $y = 0.329 \pm 0.02$

4-3-2 Color Adjustments for 9300K

4-3-2 (a) BACK RASTER COLOR ADJUSTMENT

CONDITIONS

Scanning frequency: 54 kHz/85 Hz : 15"
68 kHz/85 Hz : 17"
Display image: Back raster pattern
Brightness: Maximum
Contrast: Maximum

1. Select "@1: CHANNEL 1" in right menu to control the color for 9300K.
2. Adjust the luminance of the back raster to between 0.5 to 0.7 ft-L using control bar after selecting "GREEN CUTOFF" in the menu.
3. Use control bar after selecting "BLUE CUTOFF" in left menu to set the "y" coordinate to 0.298 ± 0.02 .
4. Use control bar after selecting "RED CUTOFF" in left menu to 0.283 ± 0.02 .

* If color values can not be matched to desirable values, repeat sequences 3 and 4 after readjusting "GREEN CUTOFF" control.

4-3-2 (b) WHITE BALANCE ADJUSTMENT

CONDITIONS

Scanning frequency: 54 kHz/85 Hz : 15"
68 kHz/85 Hz : 17"

Display image: White box pattern

Brightness: 0.06ft-L at Back Raster
Pattern Display

Contrast: Maximum

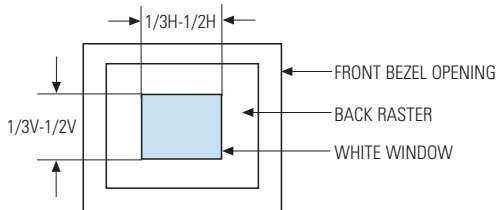


Figure 4-6. White Box Pattern

1. Use control bar after selecting "RED GAIN", "GREEN GAIN" and "BLUE GAIN" to adjust the luminance 47 ± 1 ft-L(15"), 42 ± 1 ft-L(17") with the color coordinates ranged for 9300K to $x = 0.283 \pm 0.02$, $y = 0.298 \pm 0.02$.

4-3-2 (c) ABL ADJUSTMENT

CONDITIONS

Scanning frequency: 54 kHz/85 Hz : 15"
68 kHz/85 Hz : 17"

Display image: Full white pattern

Brightness: Maximum

Contrast: Maximum

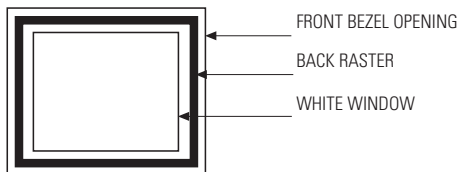


Figure 4-7. Full White Pattern

1. Check the ABL. If it is not within specifications, use the ABL controls to adjust. 31 ± 1 ft-L
2. Select "@4: COLOR SAVE" to save the data.
3. Select "@6: ALL COLOR SAVE" to save CH2.

4-3-2 (d) WHITE BALANCE ADJUSTMENT VERIFICATION

CONDITIONS

Scanning frequency: 54 kHz/85 Hz : 15"
68 kHz/85 Hz : 17"

Display image: Back raster pattern
Full White Pattern

X-Y Coordinates: $x = 0.283 \pm 0.02$,
 $y = 0.298 \pm 0.02$

ABL Luminance Refer to 4-3-2(c)

Brightness: Maximum

Contrast: 5 ft-L, 24 ft-L

1. Check whether the color coordinates of the back raster satisfy the above spec.
If they do not, return to 4-3-2 (a) and readjust all settings.
2. Display a full white pattern.
3. Select "Geometry" in softjig menu.
4. Select "@7: 5-ft " in right menu.
5. Check whether the white coordinates of the video meet the above coordinates spec.
6. Select "@8: 24-ft " in right menu.
7. Check whether the white coordinates of the video satisfies the above spec.

If they do not, return to 4-3-2 (a) and readjust all settings.

Select "Color" and click "@2: CHANNEL 2" for color adjustment for 6500K

Repeat the sequence for 9300K adjustment. luminance values are the same as 9300K, but the color coordinates of back raster and white box are : $x = 0.313 \pm 0.02$ $y = 0.329 \pm 0.02$

4-3-3 MAGIC BRIGHT ADJUSTMENT (MB MODEL ONLY)

CONDITIONS

Scanning frequency: 68 kHz/85 Hz : 17"

Display image: White box pattern

Brightness: 0.06ft-L at Back Raster
Pattern Display

Contrast: Maximum

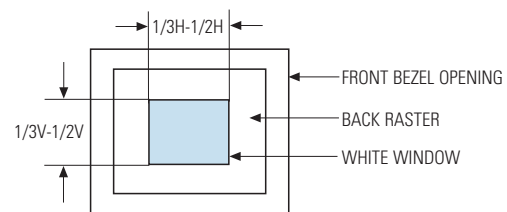


Figure 4-8. White Box Pattern

1. Use control bar after selecting "RED GAIN", "GREEN GAIN" and "BLUE GAIN" to adjust the luminance 115 ± 1 ft-L (17") with the color coordinates ranged for 9300K to $x = 0.283 \pm 0.02$, $y = 0.298 \pm 0.02$.

4-3-4 Color Adjustments for sRGB

4-3-4 (a) BACK RASTER COLOR ADJUSTMENT

CONDITIONS

Scanning frequency: 54 kHz/85 Hz : 15"
68 kHz/85 Hz : 17"
Screen: Back raster pattern
Bright: MAX
Contraster: MAX

1. Select **COLOR CHANNEL 4** to control the color for sRGB.
2. Adjust the luminance of the back raster to between 0.5 to 0.7 ft-L using the **G_CUT** controls.
3. Click on the << or >> boxes next to **R_CUT** and **B_CUT** to adjust the R-Bias to $x = 0.312 \pm 0.02$ and the B-Bias to $y = 0.329 \pm 0.02$.

4-3-4 (b) GAIN (WITHOUT ABL) ADJUSTMENT

1. Bright should be cut off.
2. Save after adjusting : (Color coordinates $x=0.312 \pm 0.015$, $y=0.329 \pm 0.015$
Brightness : 28 ± 1 F/L) with R, G, B gain key.

*Notice : The condition for adjusting is the same as 9300K.
Don't adjust ABL to SRGB Mode
Modify with ABL.
Delete all contents and add the contents below.*

4-3-4 (c) WHITE BALANCE ADJUSTMENT

CONDITIONS

Scanning frequency: 54 kHz/85 Hz : 15"
68 kHz/85 Hz : 17"
Display image: Full white pattern
Brightness: Cut-off
Contrast: Maximum

1. Click on the << or >> boxes next to **R_GAIN** and **B_GAIN** to make the video white.
(For sRGB color adjustment:
 $x = 0.312 \pm 0.02$, $y = 0.329 \pm 0.02$.)
2. Select **COLOR FACTORY SAVE** to save the data.

Luminance Table 4-4.

Without ABL	28 ft-L
-------------	---------

4-3-5 Luminance Uniformity Check

Luminance is considered uniform only if the ratio of lowest to highest brightness areas on the screen is not less than 7.5:10.

CONDITIONS

Scanning frequency: 54 kHz/85 Hz : 15"
68 kHz/85 Hz : 17"
Display image: White flat field
Brightness: Cut off point at 24 ft-L
Contrast: Maximum

PROCEDURE

Measure luminance at nine points on the display screen (see figure below).

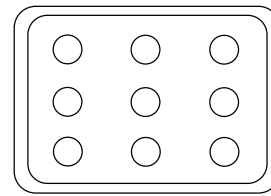


Figure 4-9. Luminance Uniformity Check Locations

4-3-6 Focus Adjustment

CONDITIONS

Scanning frequency: 54 kHz/85 Hz : 15"
68 kHz/85 Hz : 17"
Display image: "H" character pattern
Brightness: Cut off point
Contrast: Maximum

1. Adjust the Focus VR on the FBT to display the sharpest image possible. (17" only)
2. Use Locktite to seal the Focus VR in position. (17" only)

4-3-7 Color Purity Adjustment

Color purity is the absence of undesired color. Conspicuous mislanding (unexpected color in a uniform field) within the display area shall not be visible at a distance of 50 cm from the CRT surface.

CONDITIONS

Orientation:	Monitor facing east
Scanning frequency:	54 kHz/85 Hz : 15" 68 kHz/85 Hz : 17"
Display image:	White flat field
Luminance:	Cut off point at the center of the display area

Note: Color purity adjustments should only be attempted by qualified personnel.

PROCEDURE

Use the following procedure to correct minor color purity problems : 15"

1. Make sure the display is not affected by external magnetic fields.
2. Make sure the spacing between the PCM assembly and the CRT stem is $29 \text{ mm} \pm 1 \text{ mm}$.
3. Display a green pattern over the entire display area.
4. Adjust the purity magnet rings on the PCM assembly to display a pure green pattern.
(Optimum setting: $x = 0.295 \pm 0.015$, $y = 0.594 \pm 0.015$)

Table 4-5. Color Purity Tolerances

Red:	$x = 0.640 \pm 0.015$	$y = 0.323 \pm 0.015$
Green:	$x = 0.295 \pm 0.015$	$y = 0.594 \pm 0.015$
Blue:	$x = 0.142 \pm 0.015$	$y = 0.066 \pm 0.015$

(For 9300K color adjustment: $x = 0.283 \pm 0.015$, $y = 0.298 \pm 0.015$)

5. When you have the PCMs properly adjusted, carefully glue them together to prevent their movement during shipping.

Use the following procedure to correct minor color purity problems : 17"

1. Make sure the display is not affected by external magnetic fields.
2. Make sure the spacing between the PCM assembly and the CRT stem is $29 \text{ mm} \pm 1 \text{ mm}$.
3. Display a green pattern over the entire display area.
4. Adjust the purity magnet rings on the PCM assembly to display a pure green pattern.
Optimum setting: $x = 0.285 \pm 0.015$,
 $y = 0.600 \pm 0.015$
5. Repeat steps 4 and 5 using a red pattern and then again, using a blue pattern.

Table 4-6. Color Purity Tolerances

Red:	$x = 0.645 \pm 0.015$	$y = 0.321 \pm 0.015$
Green:	$x = 0.285 \pm 0.015$	$y = 0.600 \pm 0.015$
Blue:	$x = 0.142 \pm 0.015$	$y = 0.057 \pm 0.015$

(LE17KS/KT Model)

(For 9300K color adjustment: $x = 0.283 \pm 0.02$, $y = 0.298 \pm 0.02$)

Table 4-7. Color Purity Tolerances

Red:	$x = 0.645 \pm 0.015$	$y = 0.318 \pm 0.015$
Green:	$x = 0.276 \pm 0.015$	$y = 0.596 \pm 0.015$
Blue:	$x = 0.145 \pm 0.015$	$y = 0.060 \pm 0.015$

(LE17LS/LT Model)

(For 9300K color adjustment: $x = 0.283 \pm 0.02$, $y = 0.298 \pm 0.02$)

6. When you have the PCMs properly adjusted, carefully glue them together to prevent movement during shipping.

Memo

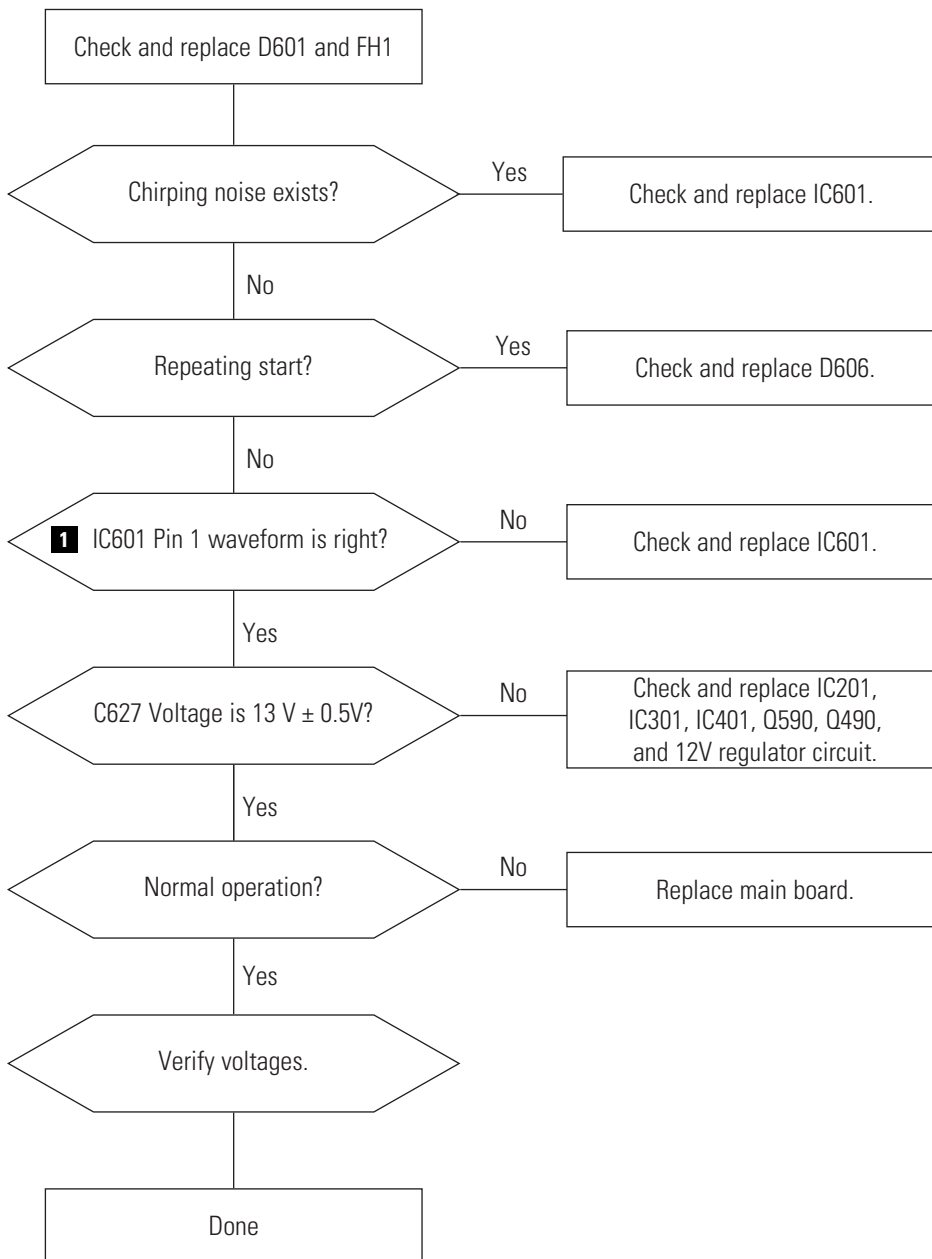
5 Troubleshooting

5-1 Parts Level Troubleshooting

Notes: Check the following circuits.

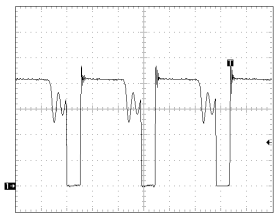
- No raster appears: Power circuit, Horizontal output circuit.
- High voltage develops but no raster appears: Video output circuits.
- High voltage does not develop: Horizontal output circuits.

5-1-1 No Power Supply

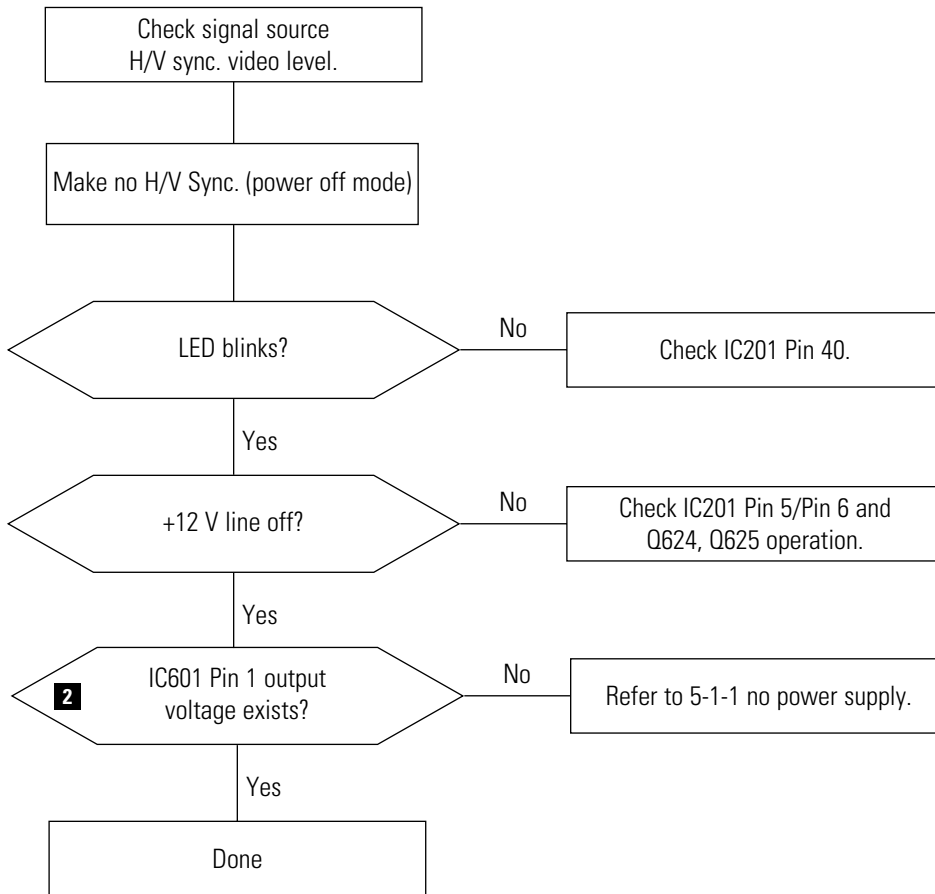


WAVEFORMS

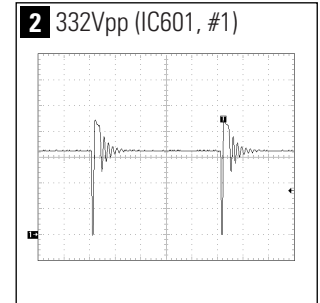
1 332 Vpp (IC601, #1)



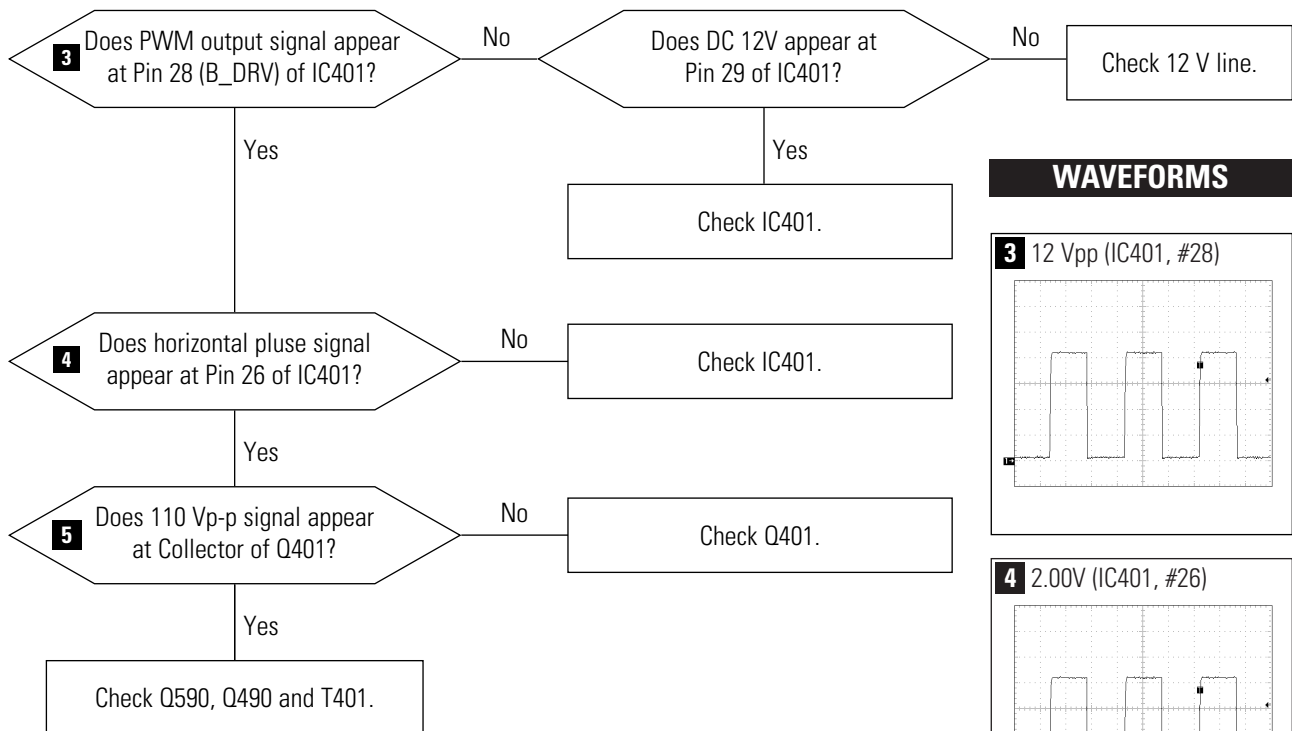
5-1-2 DPMS Failure



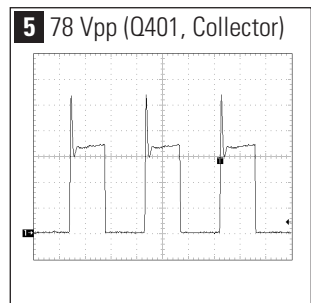
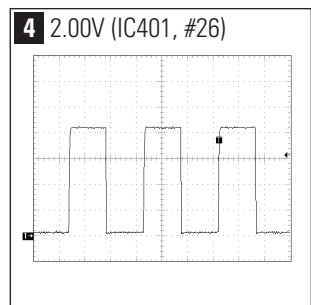
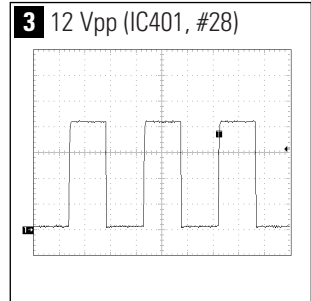
WAVEFORMS



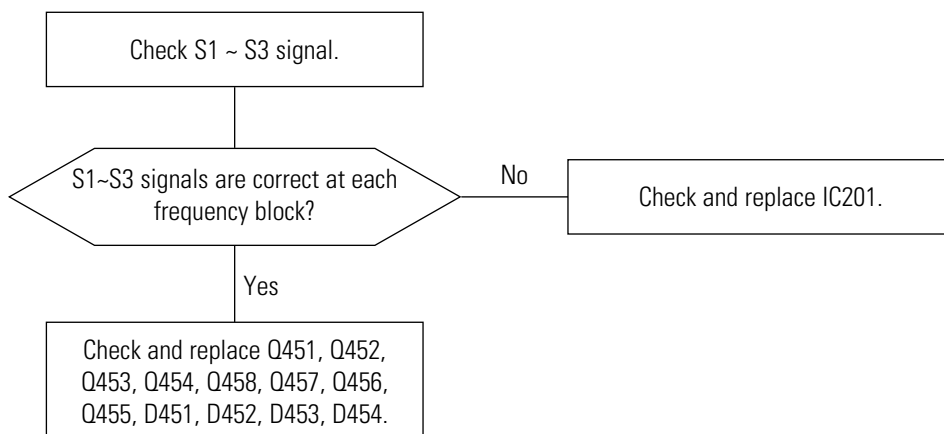
5-1-3 H_Deflection Failure



WAVEFORMS

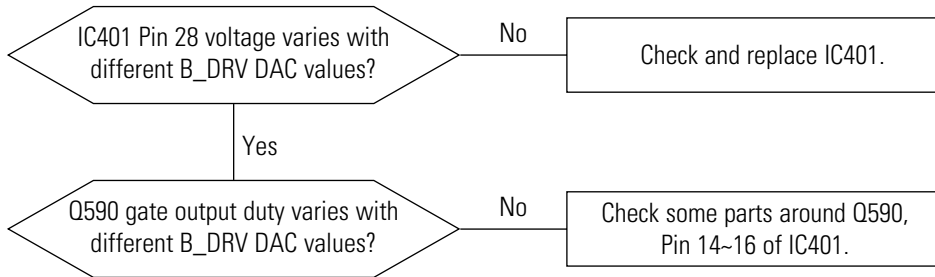


5-1-4 S Correction Failure

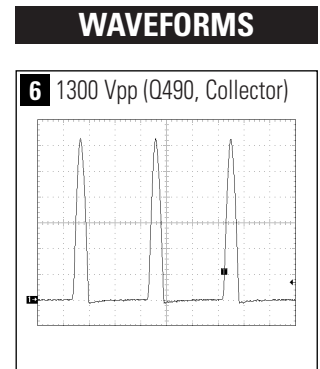
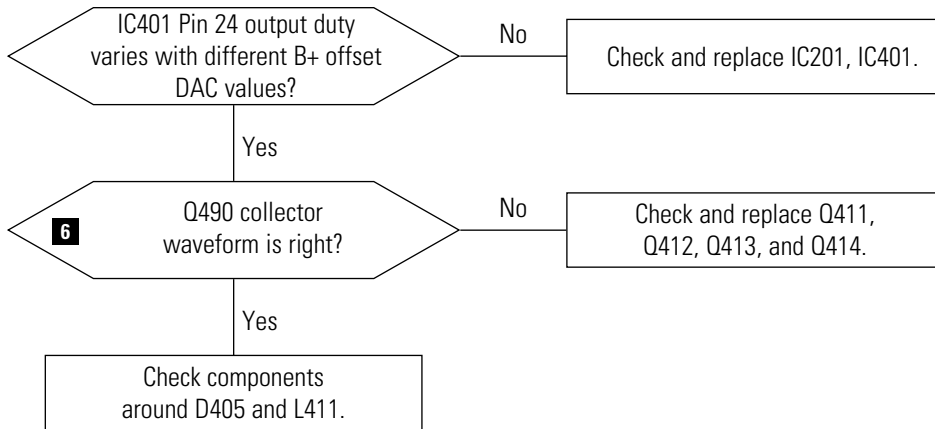


5-1-5 H_Lin. Failure → Check and Replace L441 (Fix Type)

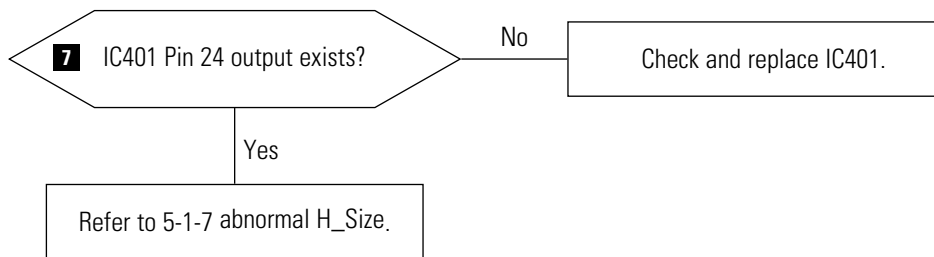
5-1-6 Invariable H_Size



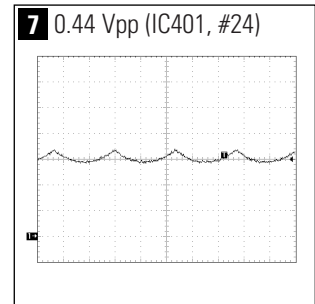
5-1-7 Abnormal H_Size



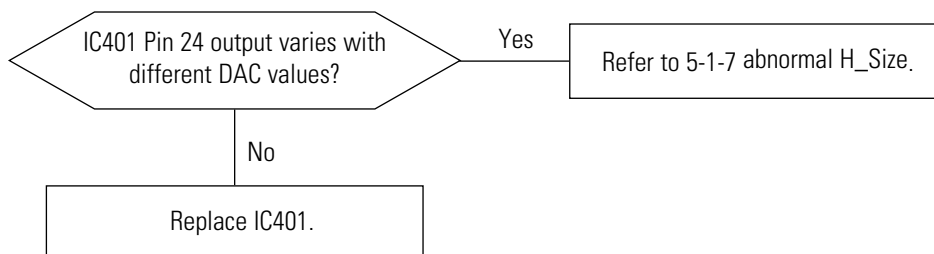
5-1-8 Side Pin or Trap Failure



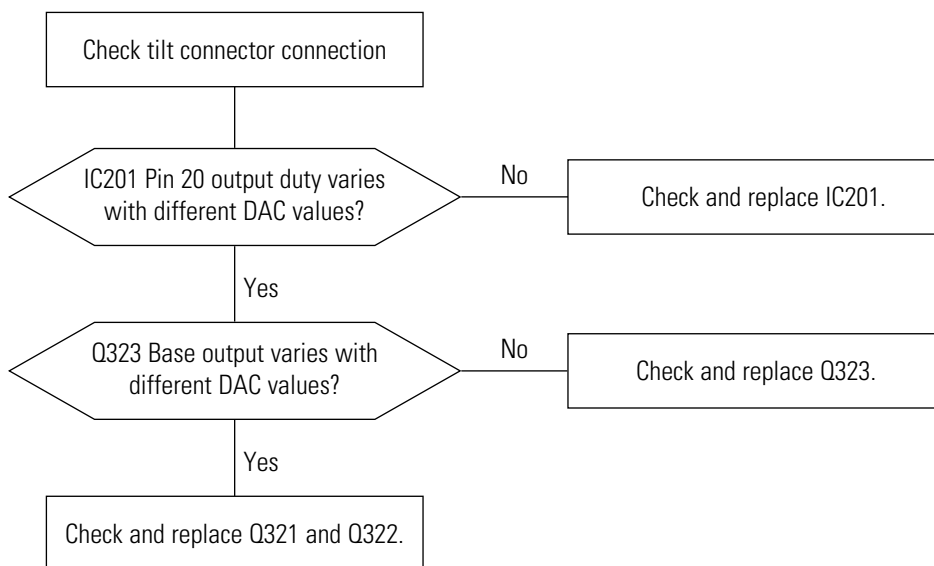
WAVEFORMS



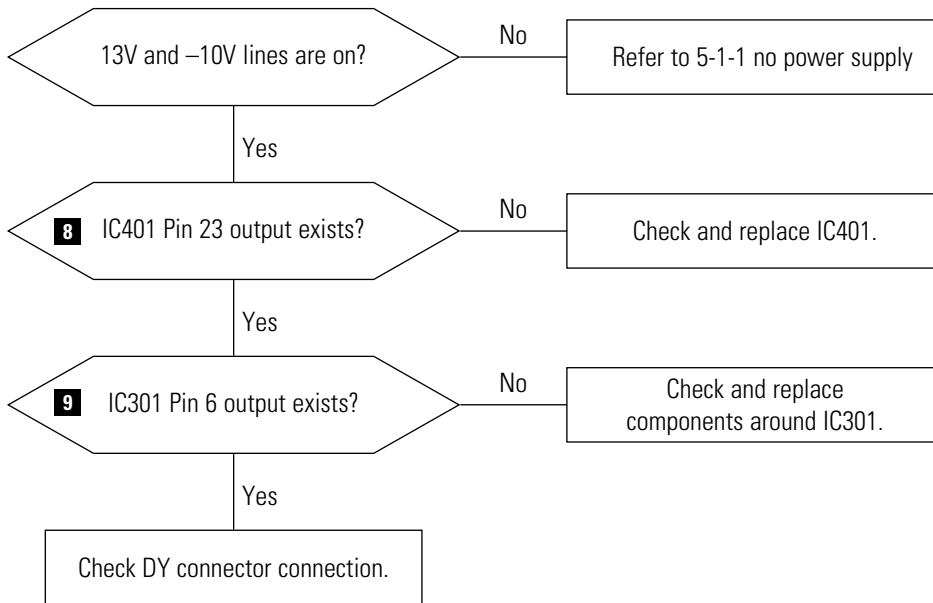
5-1-9 Para. or Pin Balance Failure



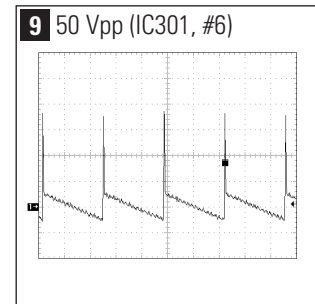
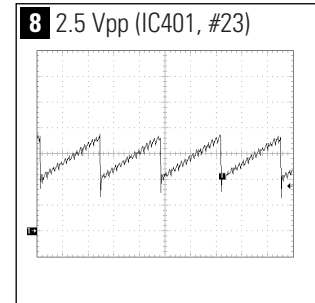
5-1-10 Tilt Failure (Only 17" Function)



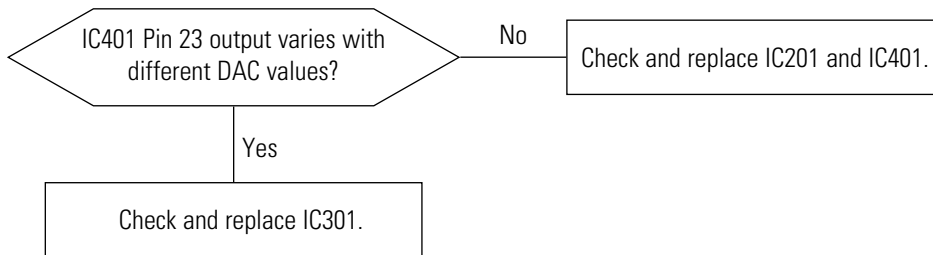
5-1-11 V Deflection Failure



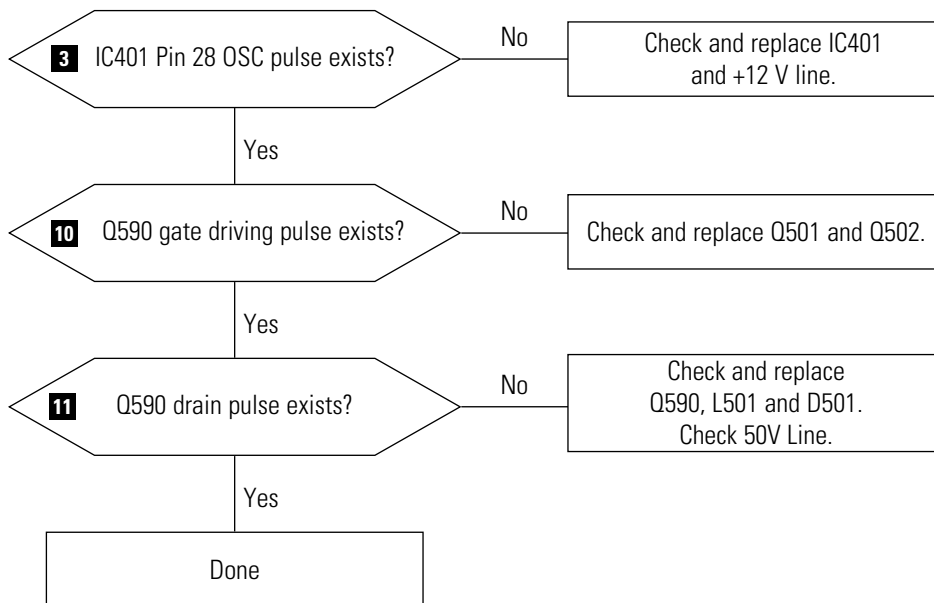
WAVEFORMS



5-1-12 V Size or Position Variation Failure

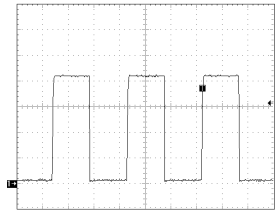


5-1-13 High Voltage Failure

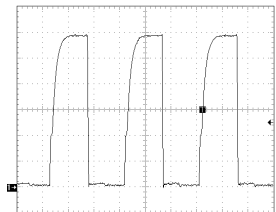


WAVEFORMS

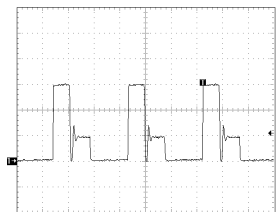
3 12 Vpp (IC401, #28)



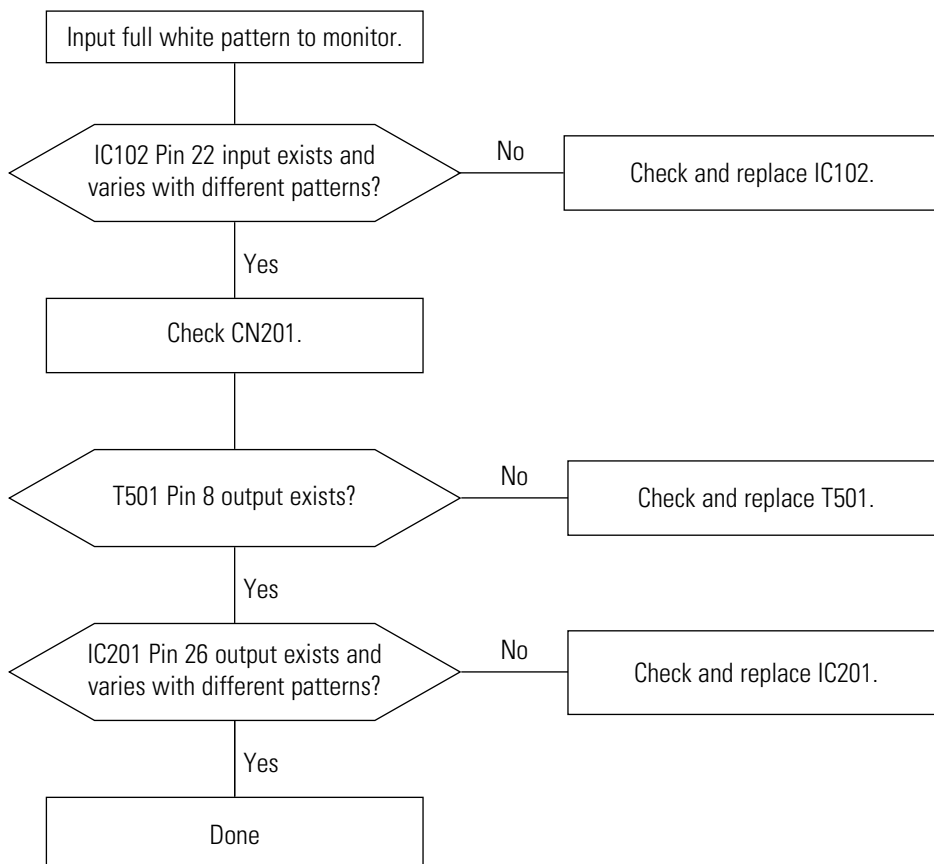
10 12 Vpp (Q590, Gate)



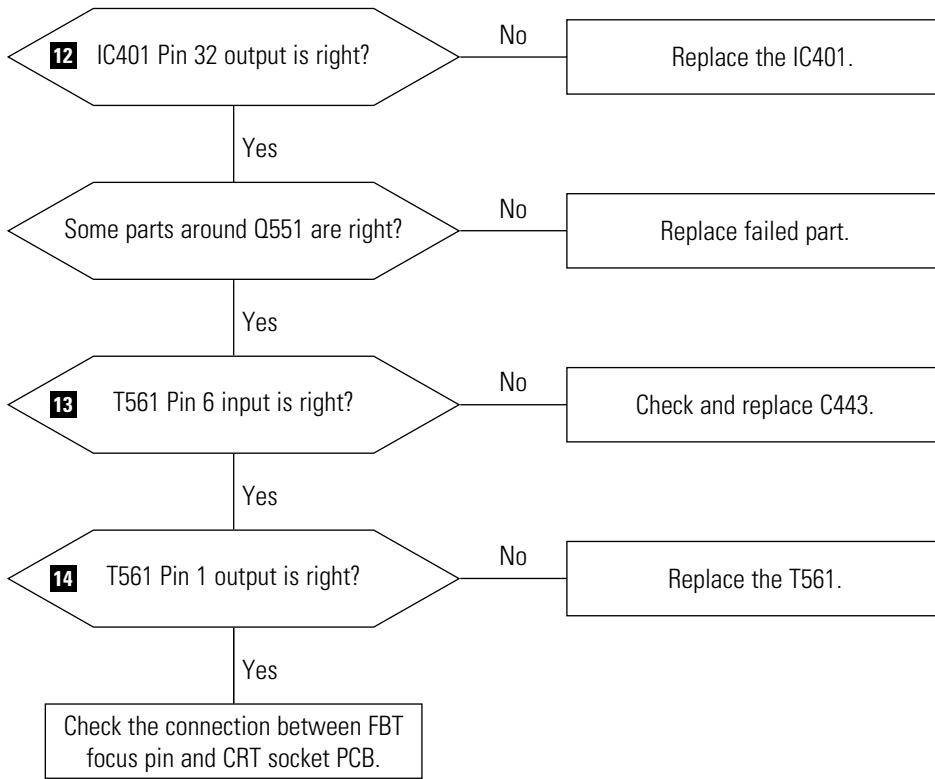
11 150 Vpp (Q590, Drain)



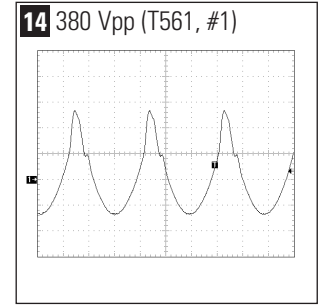
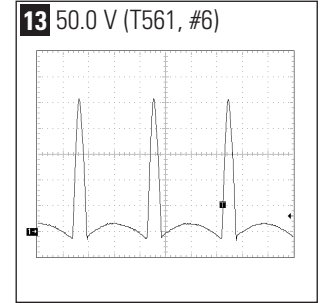
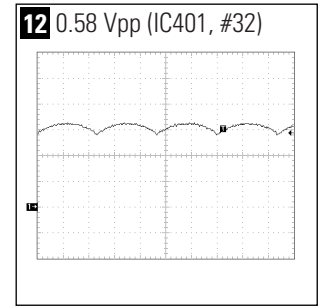
5-1-14 ABL Failure



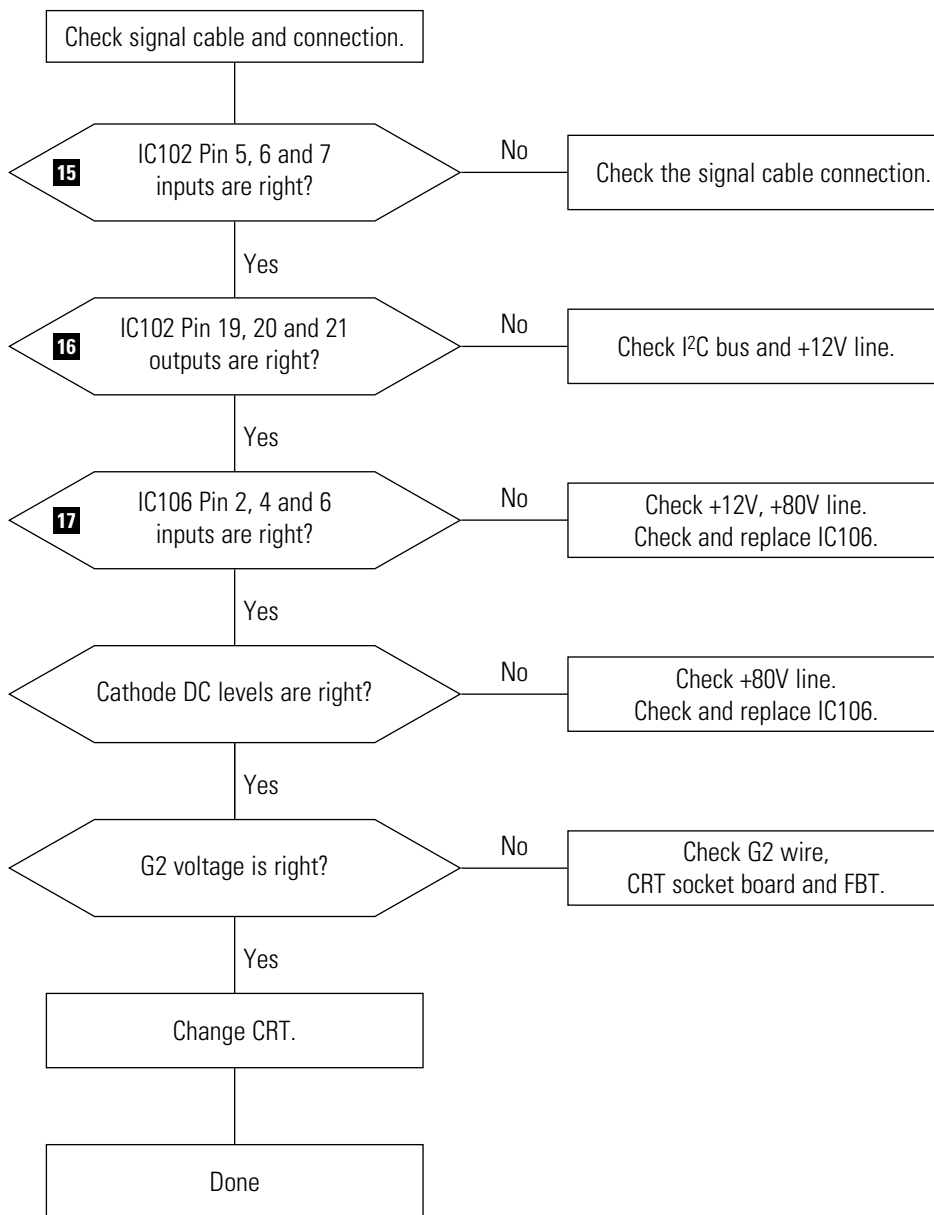
5-1-15 Dynamic Focus Failure (Only 17" Function)



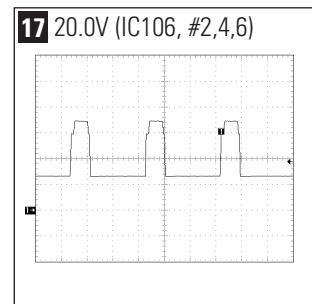
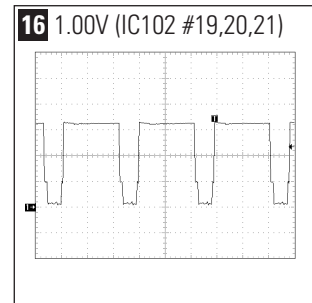
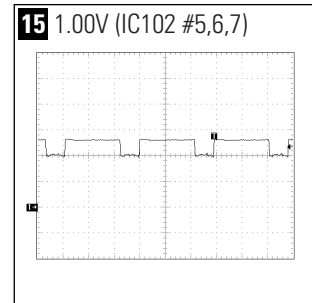
WAVEFORMS



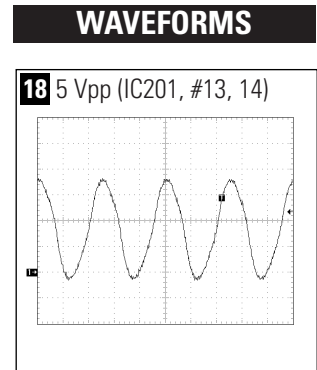
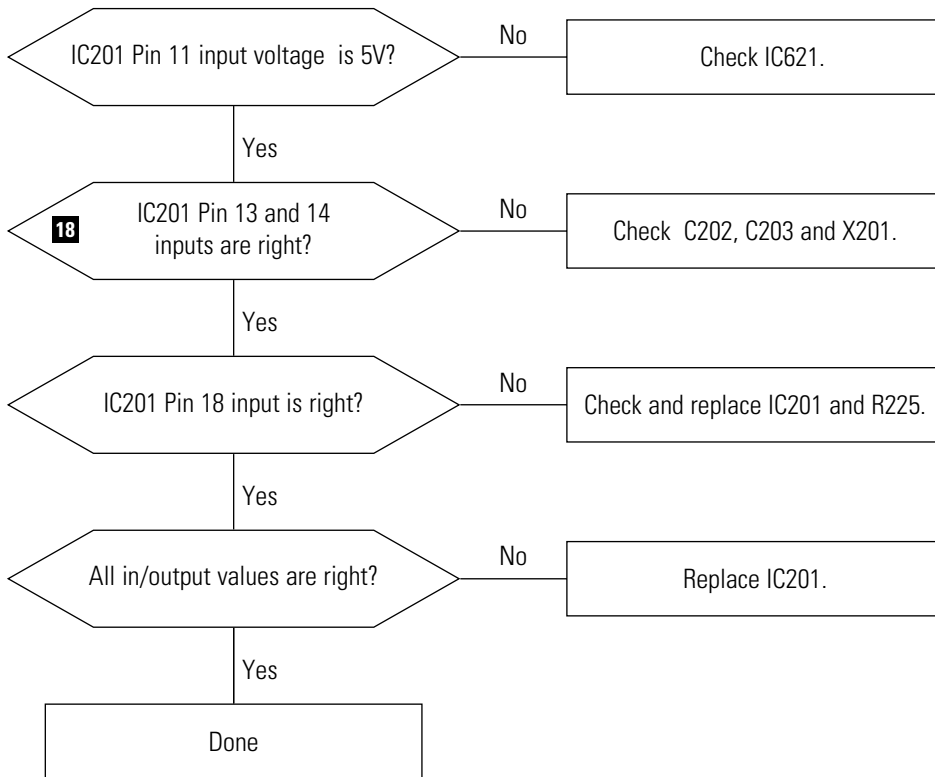
5-1-16 No Video



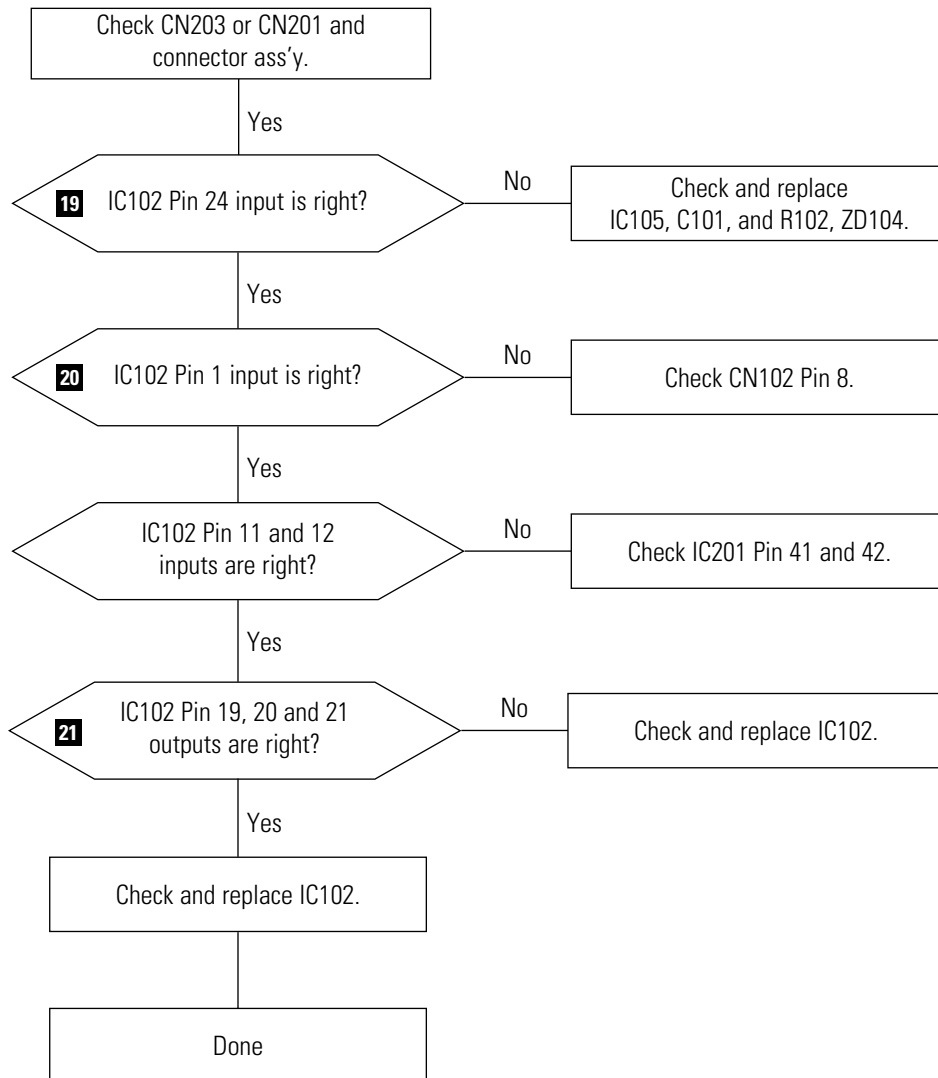
WAVEFORMS



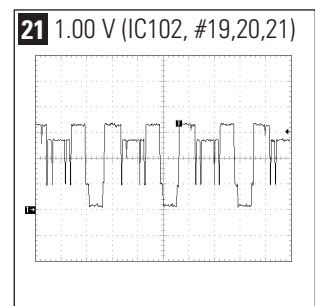
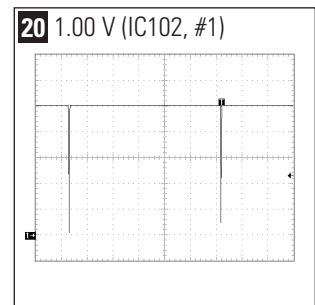
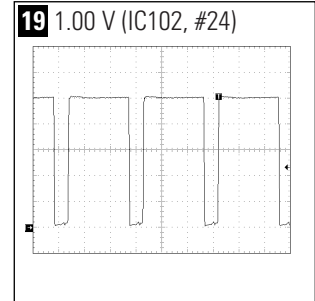
5-1-17 MICOM Failure



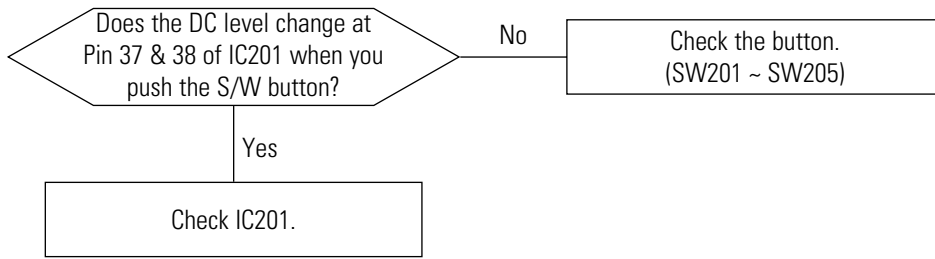
5-1-18 OSD Failure



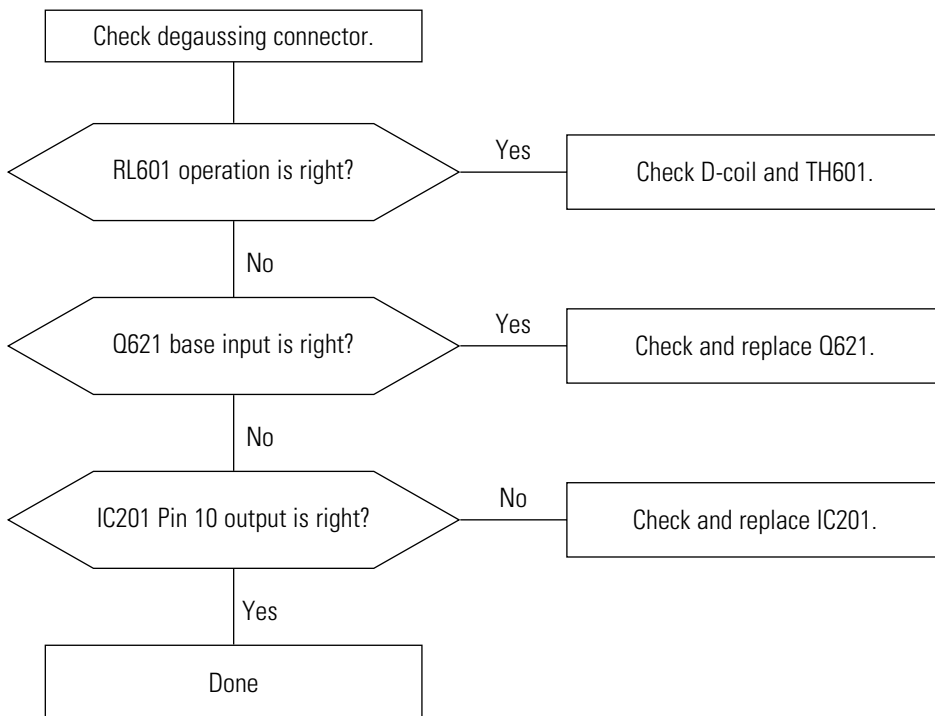
WAVEFORMS



5-1-19 User Control & Power Switch Failure

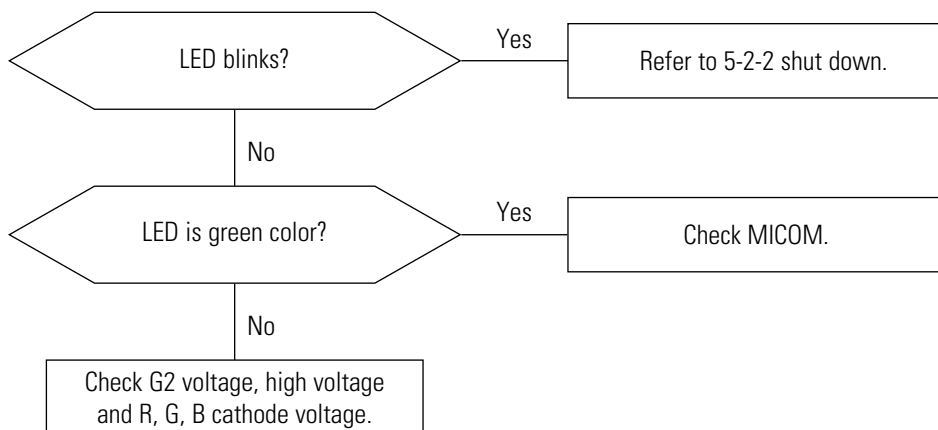


5-1-20 Degaussing Failure

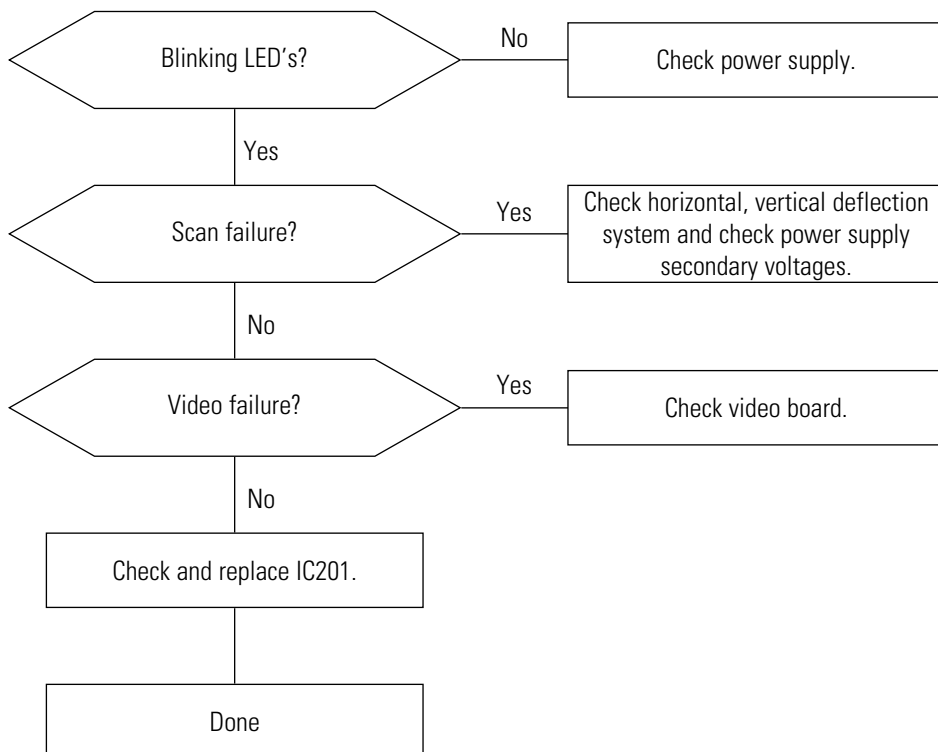


5-2 General Troubleshooting

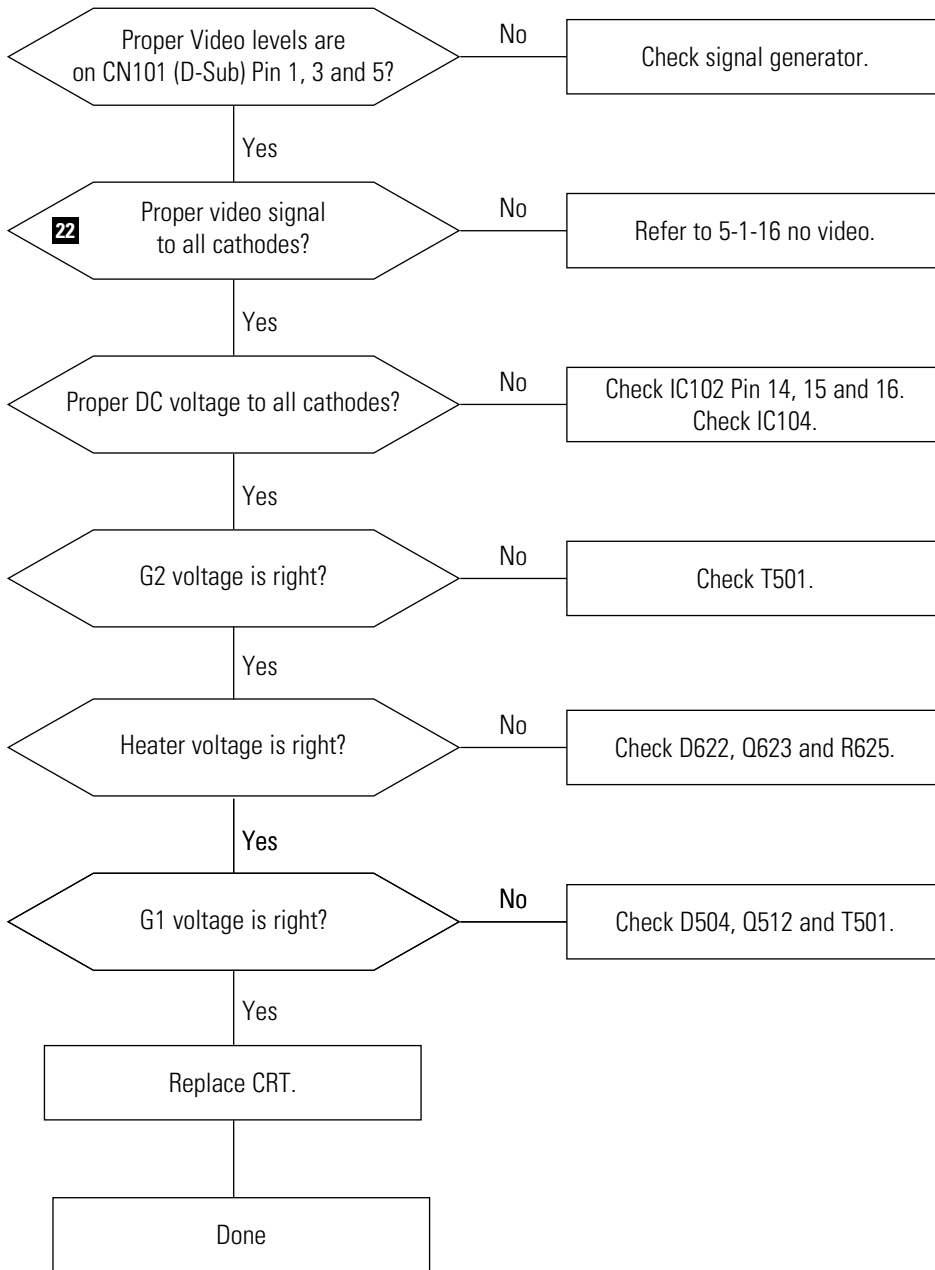
5-2-1 No Picture



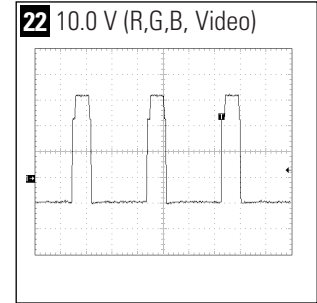
5-2-2 Shut Down



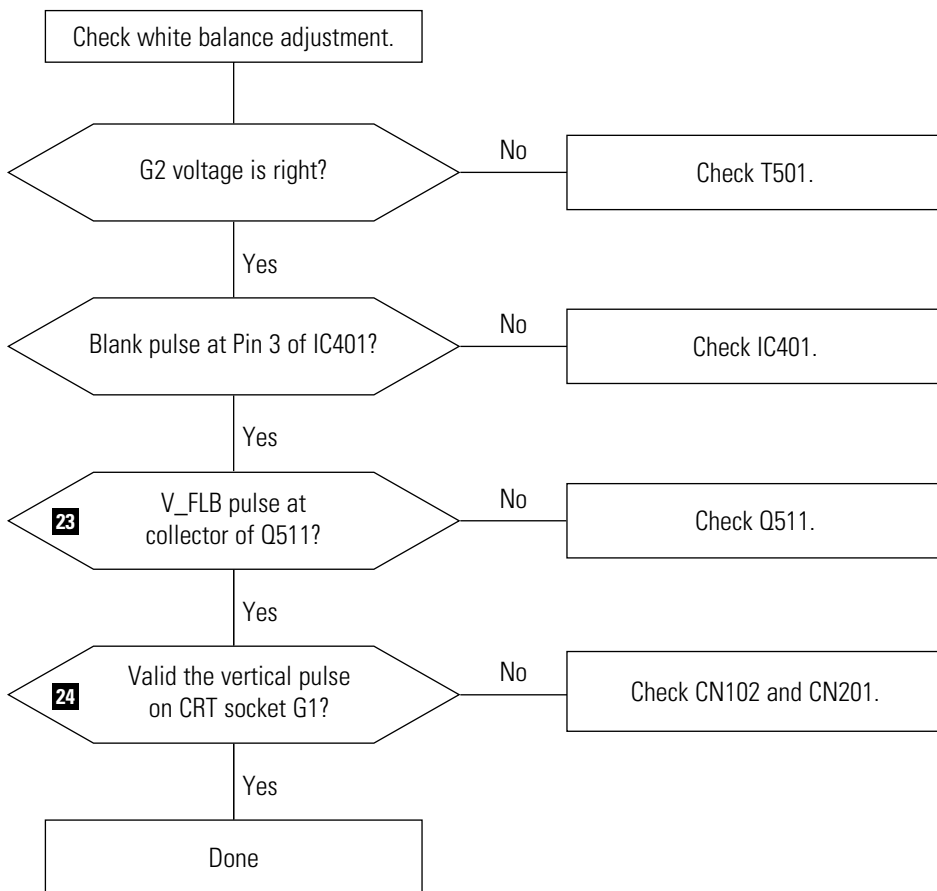
5-2-3 Missing Color



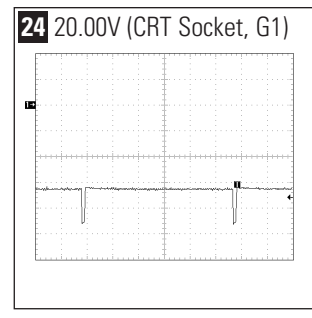
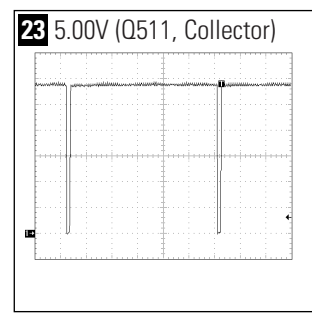
WAVEFORMS



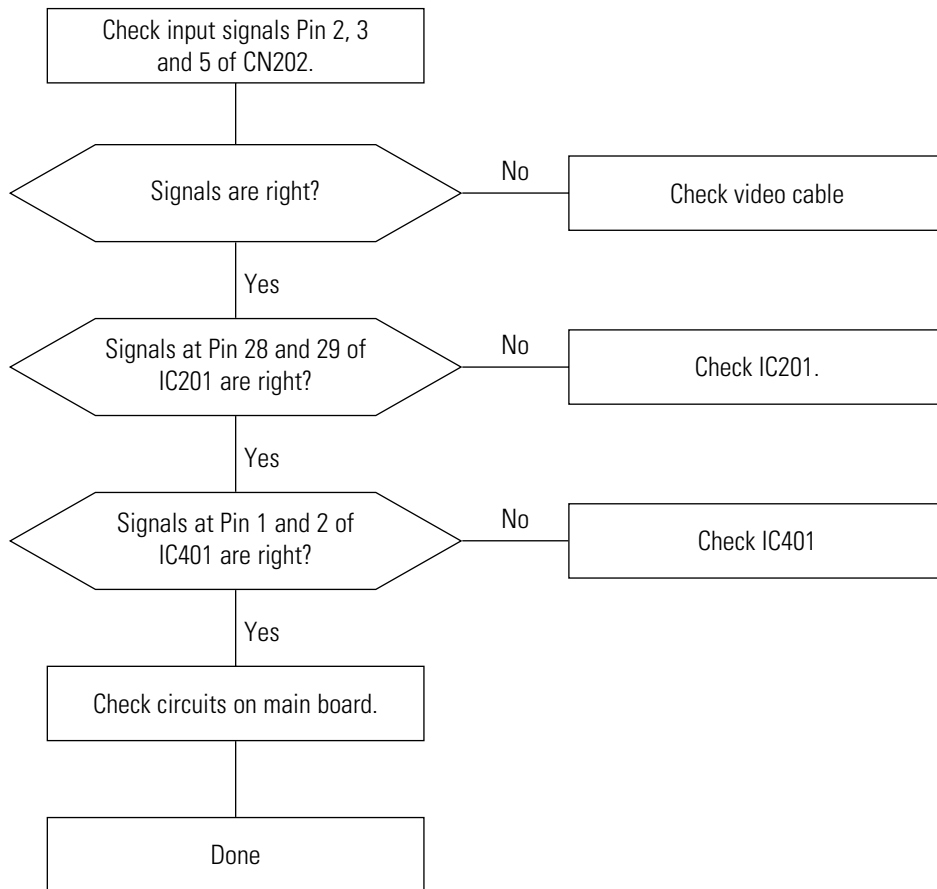
5-2-4 Visible Retrace

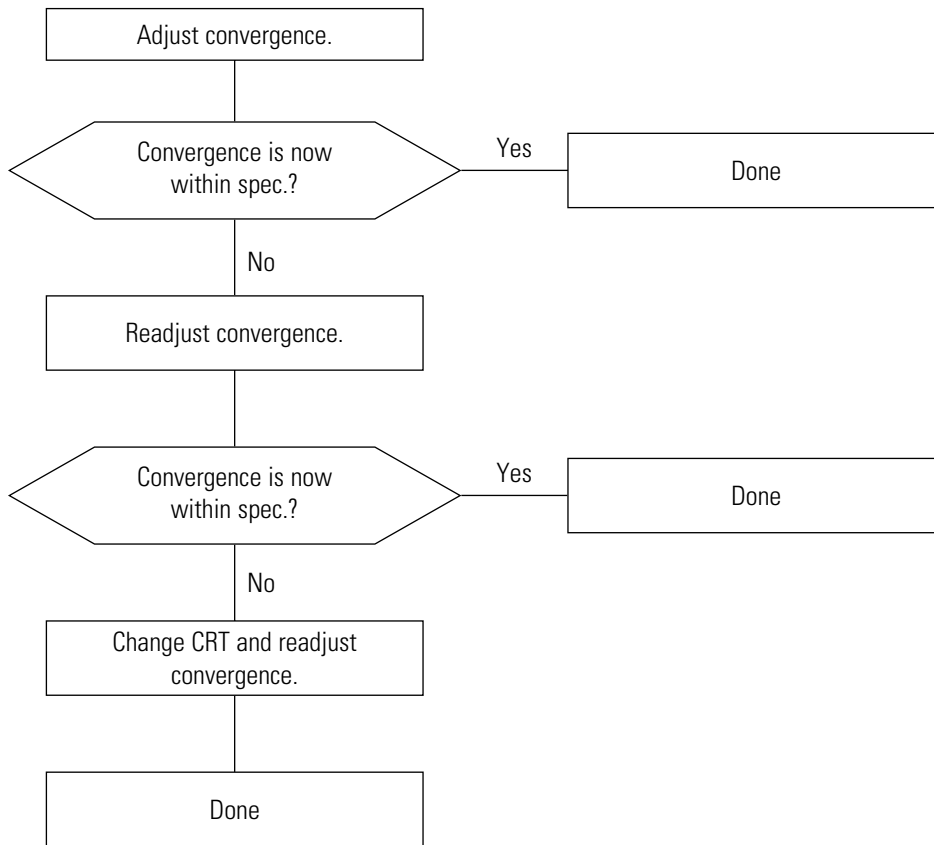


WAVEFORMS

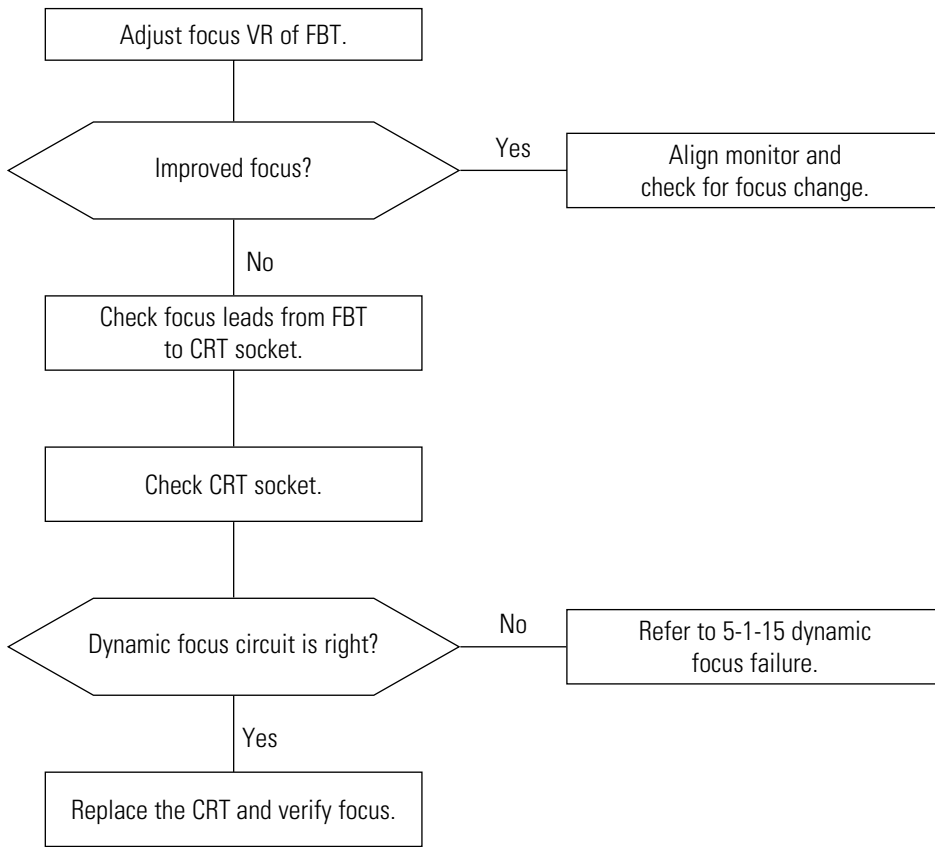


5-2-5 Unsynchronized Image

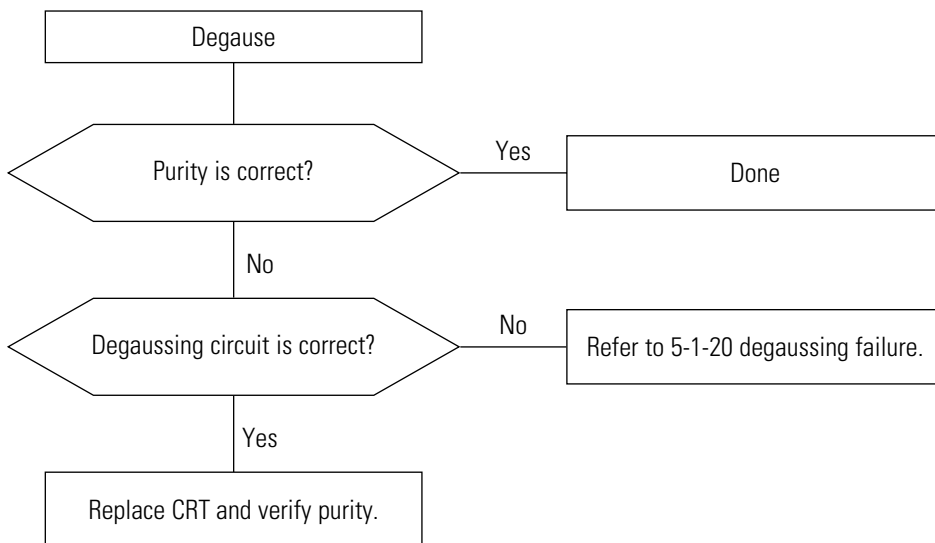


5-2-6 Misconvergence

5-2-7 Poor Focus (Only 17" Function)



5-2-8 Purity Failure

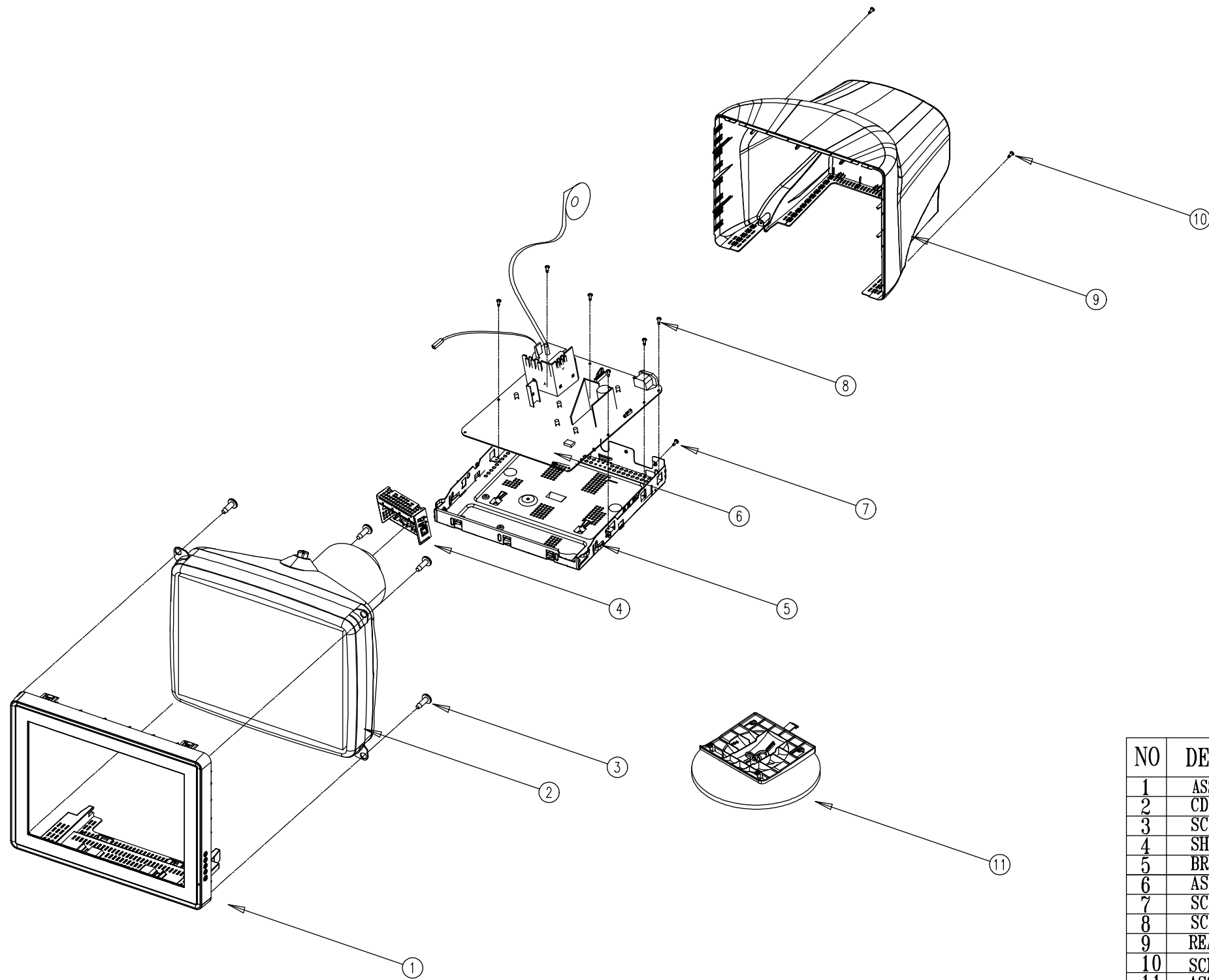


6 Exploded View and Parts List

* You can search for updated part codes through ITSELF web site.

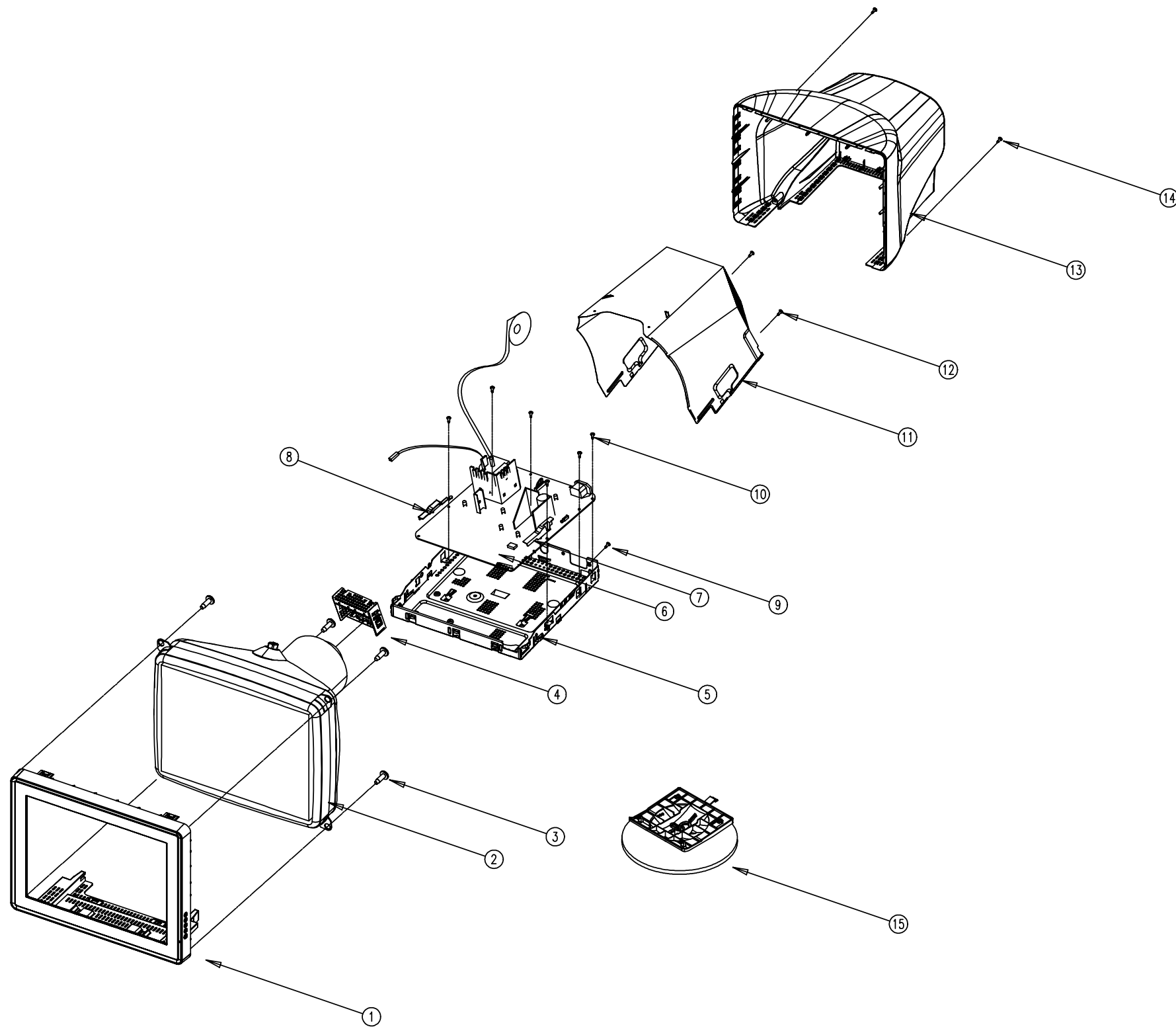
URL : <http://itself.sec.samsung.co.kr/>

6-1 LE15V*



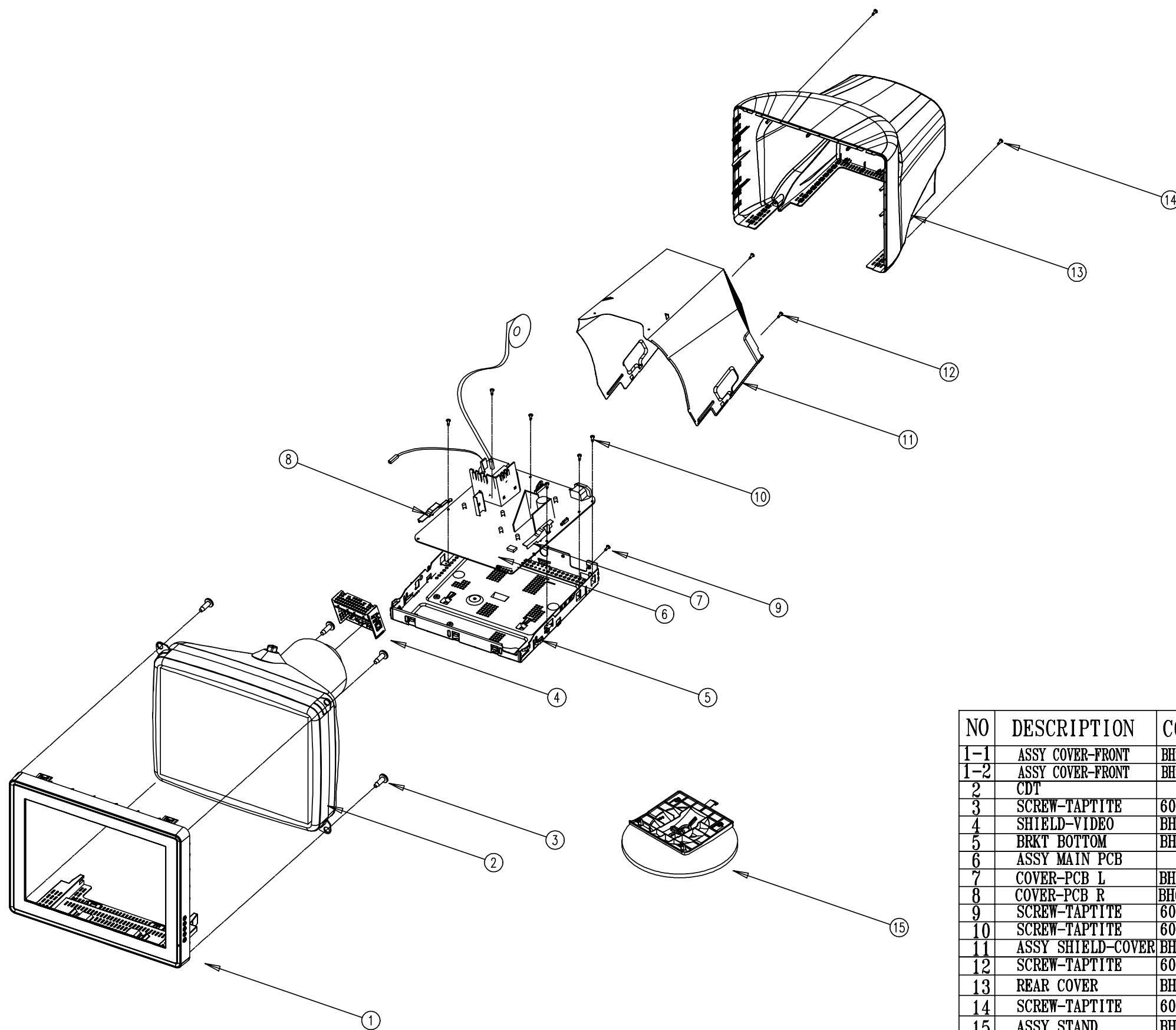
NO	DESCRIPTION	CODE-NO	SPECIFICATION	Q'TY	REMARK
1	ASSY COVER-FRONT	BH96-00270A	ABS PC IV16	1	SA
2	CDT	-	-	1	-
3	SCREW-TAPTITE	6006-001119	WC,BH,+,M5,L25,ZPC(YEL)	4	SA
4	SHIELD-VIDEO	BH63-00131A	LE17KS,SPTE,T0.2	1	SNA
5	BRKT BOTTOM	BH63-00134A	LE17KS,SECC,T1.0	1	SNA
6	ASSY MAIN PCB	-	-	1	-
7	SCREW-TAPTITE	6003-001136	BH,+,B,M4,L8,ZPC(YEL)	1	SA
8	SCREW-TAPTITE	6003-001023	RWH,+,B,M3,L10,ZPC(YEL)	6	SA
9	REAR COVER	BH63-00123A	ABS PC IV16	-	SA
10	SCREW-TAPTITE	6003-000009	BH,+,B,M4,L16,ZPC(YEL)	1	SA
11	ASSY STAND	BH96-00272A	ABS HB IV16	2	SA

6-2 LE17JS/LE17KS



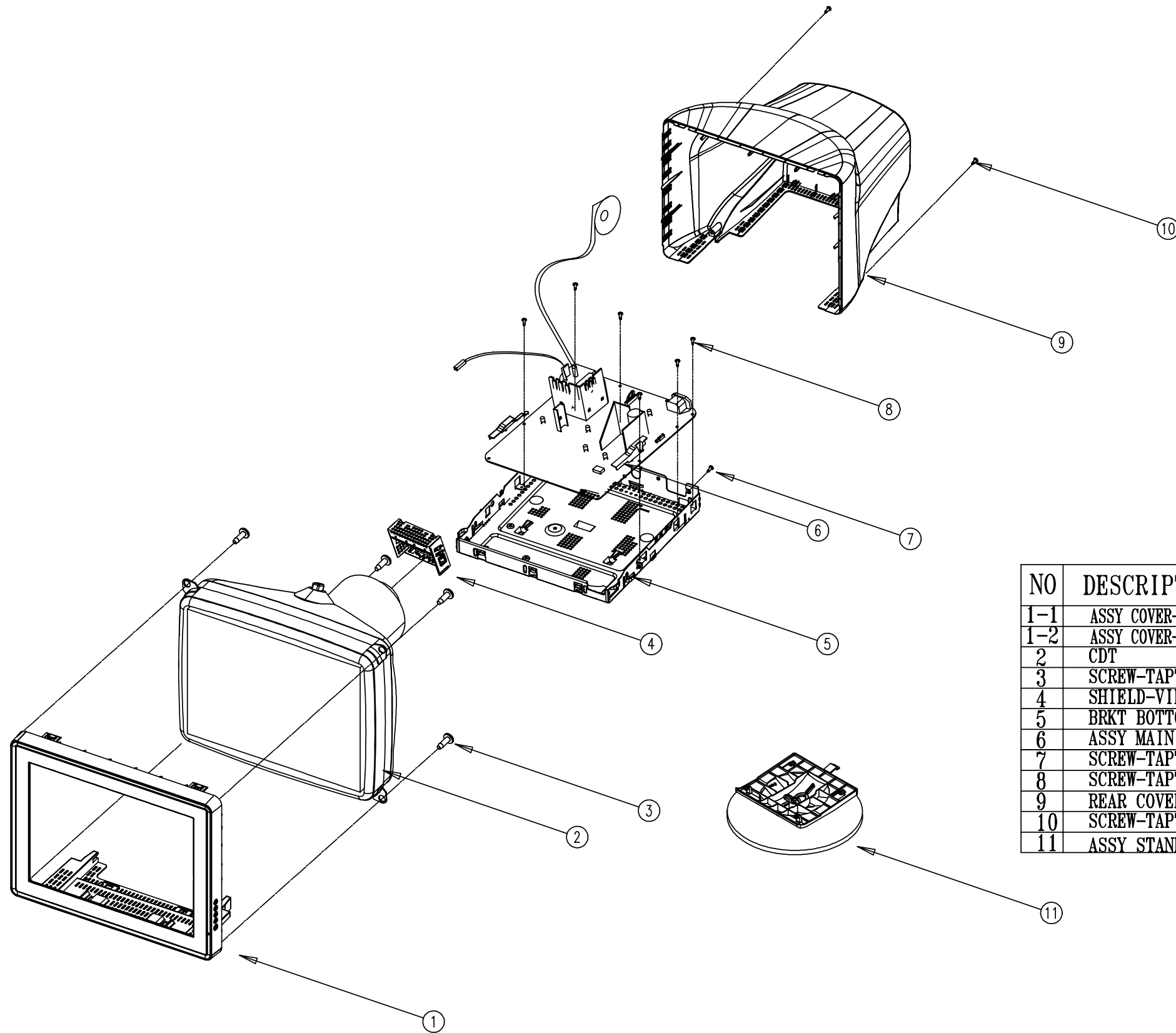
NO	DESCRIPTION	CODE-NO	SPECIFICATION	Q'TY	REMARK
1-1	ASSY COVER-FRONT	BH96-00274A	ABS HB IV16	1	SA
1-2	ASSY COVER-FRONT	BH96-00274B	ABS HB IV16	1	SA
1-3	ASSY COVER-FRONT	BH96-00274C	ABS HB IV16	1	SA
2	CDT	-	-	1	-
3	SCREW-TAPTITE	6006-001119	WC, BH, + M5, L25, ZPC(YEL)	4	SA
4	SHIELD-VIDEO	BH63-00131A	LE17KS, SPTE, T0.2	1	SNA
5	BRKT BOTTOM	BH63-00134A	LE17KS, SECC, T1.0	1	SNA
6	ASSY MAIN PCB	-	-	1	-
7	COVER-PCB L	BH63-00144A	ABS PC IV16	1	SNA
8	COVER-PCB R	BH63-00143A	ABS PC IV16	1	SNA
9	SCREW-TAPTITE	6003-001136	BH, + B, M4, L8, ZPC(YEL)	1	SA
10	SCREW-TAPTITE	6003-001023	BH, + B, M3, L10, ZPC(YEL)	6	SA
11	ASSY SHIELD-COVER	BH96-00281A	SECC T0.5, AL T0.25	1	SNA
12	SCREW-TAPTITE	6003-001023	BH, + B, M3, L10, ZPC(YEL)	2	SA
13	REAR COVER	BH63-00130A	ABS HB IV16	1	SNA
14	SCREW-TAPTITE	6003-000009	BH, + B, M4, L16, ZPC(YEL)	2	SA
15	ASSY STAND	BH96-00272A	ABS HB IV16	1	SA

6-3 LE17KT/LE17JT



NO	DESCRIPTION	CODE-NO	SPECIFICATION	Q'TY	REMARK
1-1	ASSY COVER-FRONT	BH96-00275A	ABS HB IV16	1	SA
1-2	ASSY COVER-FRONT	BH96-00275B	ABS HB IV16	1	SA
2	CDT	-	-	1	-
3	SCREW-TAPTITE	6006-001119	WC,BH,+M5,L25,ZPC(YEL)	4	SA
4	SHIELD-VIDEO	BH63-00131A	LE17KS,SPTE,T0.2	1	SNA
5	BRKT BOTTOM	BH63-00134A	LE17KS,SECC,T1.0	1	SNA
6	ASSY MAIN PCB	-	-	1	-
7	COVER-PCB L	BH63-00144A	ABS PC IV16	1	SNA
8	COVER-PCB R	BH63-00143A	ABS PC IV16	1	SNA
9	SCREW-TAPTITE	6003-001136	BH,+B,M4,L8,ZPC(YEL)	1	SA
10	SCREW-TAPTITE	6003-001023	RWH,+B,M3,L10,ZPC(YEL)	6	SA
11	ASSY SHIELD-COVER	BH96-00281A	SECC T0.5,AL T0.25	1	SNA
12	SCREW-TAPTITE	6003-001023	RWH,+B,M3,L10,ZPC(YEL)	2	SA
13	REAR COVER	BH63-00130A	ABS HB IV16	1	SNA
14	SCREW-TAPTITE	6003-000009	BH,+B,M4,L16,ZPC(YEL)	2	SA
15	ASSY STAND	BH96-00272A	ABS HB IV16	1	SA

6-4 LE17LS/LE17LT



NO	DESCRIPTION	CODE-NO	SPECIFICATION	Q ' TY	REMARK
1-1	ASSY COVER-FRONT	BH96-00276A	ABS V0 IV16	1	SA
1-2	ASSY COVER-FRONT	BH96-00277A	ABS V0 IV16	1	SA
2	CDT	-	-	1	-
3	SCREW-TAPTITE	6006-001119	WC,BH,+,M5,L25,ZPC(YEL)	4	SA
4	SHIELD-VIDEO	BH63-00131A	LE17KS,SPTE,T0.2	1	SNA
5	BRKT BOTTOM	BH63-00134A	LE17KS,SECC,T1.0	1	SNA
6	ASSY MAIN PCB	-	-	1	-
7	SCREW-TAPTITE	6003-001136	BH,+,B,M4,L8,ZPC(YEL)	1	SA
8	SCREW-TAPTITE	6003-001023	RWH,+,B,M3,L10,ZPC(YEL)	6	SA
9	REAR COVER	BH63-00130A	ABS HB IV16	1	SNA
10	SCREW-TAPTITE	6003-000009	BH,+,B,M4,L16,ZPC(YEL)	2	SA
11	ASSY STAND	BH96-00272A	ABS HB IV16	1	SA

7 Electrical Parts List

* You can search for updated part codes through ITSELF web site.

URL : <http://itself.sec.samsung.co.kr/>

7-1-1 LE15V* Main PCB Parts

Level	Loc. No.	Code No.	Description	Specification	Remarks
0	LE15VS				
1	SN-LE15VS	-	1	SDD,NORMAL	-
3	BH94-00975A	-	ASSY PCB MAIN-SN	LE15VS	SNA
4	2306-000248	C503	C-FILM,LEAD-PPF	680nF,5%,250V,BK,26.5x16.5mm,2	SA
4	2301-001195	C601	C-FILM,LEAD-PPF	150nF,10%,275VAC,BK,26x16.5x7,	SA
4	2301-001195	C602	C-FILM,LEAD-PPF	150nF,10%,275VAC,BK,26x16.5x7,	SA
4	2401-003392	C605	C-AL	180uF,20%,450V,GP,BK,25x45,10	SA
4	BH63-00134A	CIS1	SHIELD-BOTTOM	LE17KS,SECC,T1.0	SNA
4	6502-000001	CIS11	CABLE CLAMP	DAWH-5NB,D15,L35,NYLON66,NTR	SNA
4	6502-000001	CIS12	CABLE CLAMP	DAWH-5NB,D15,L35,NYLON66,NTR	SNA
4	BH39-00323D	CIS13	LEAD CONNECTOR-ASSY	0T17LO,8.0*0.16TA*16,150MM,35068-9822,35750-1010,BK,8.0*0.16TA*16	SA
4	0204-001527	CIS4	FLUX	DF-201TVS,MIX,0.820,FLUX 13%,14KG	SNA
4	BH68-00001A	CIS40	LABEL-MARK CDT	ART-PAPER100G,-,WHT,BLK,-,ALL,CDT	SNA
4	0204-000442	CIS5	SOLVENT	1M-1000,C3H7OH,96,-	SNA
4	3711-003895	CN201	CONNECTOR-HEADER	BOX,13P,1R,2mm,STRAIGHT,SN	SA
4	3711-003873	CN202	CONNECTOR-HEADER	BOX,7P,1R,2mm,STRAIGHT,SN	SA
4	3711-004379	CN203	CONNECTOR-HEADER	BOX,4P,1R,2MM,STRAIGHT,SN	SA
4	3711-005055	CN401	CONNECTOR-HEADER	1WALL,4P,1R,10MM/8.0MM,STRAIGHT,SN-PB,WHT	SA
4	BH39-00401A	CN501	LEAD CONNECTOR-ASSY	DT15LT,UL1007#22,UL/CSA,2P,170MM,BLK,#22,YBNH250-02,BK,1007#22	SA
4	3721-001053	CN601	PLUG-AC POWER	3P,-,-,NI	SNA
4	0402-001295	D405	DIODE-RECTIFIER	GUR460L-5700,600V,4A,DO-201AD,BK	SA
4	0402-001025	D406	DIODE-RECTIFIER	ERD07-15,1.5KV,1.5A,-,TP	SA
4	0402-001407	D601	DIODE-BRIDGE	G2SB60,600V,1.5A,SIP-4,BK	SA
4	0402-000005	D625	DIODE-RECTIFIER	31DF4,400V,3A,DO-201AD,BK	SA
4	3301-000233	FBT_CORE	CORE-FERRITE	AC,18X9.6X12MM,1500,2800GAUSS	SA
4	6003-000122	FBT+H/S	SCREW-TAPTITE	BH,+ ,B,M4,L12,ZPC(YEL),SWRCH18	SNA
4	3601-001302	FH1	FUSE-AXIAL LEAD	250V,3.15A,SLOW-BLOW,CERAMIC,5X20MM	SNA
4	BH63-00124A	HS401	SHIELD-IC	LE17KS,SPT,E,TO.2	SNA
4	3704-001071	IC201_SOC	SOCKET-IC	42P,DIP,SN,1.778mm	SA
4	1204-002259	IC401	IC-DEF. PROCESSOR	STV9118,SDIP,32P,27.94x8.89mm,PLASTIC,13.2V,-,0to+70C,ST,IC-DEF. PROCESSOR	△ SNA
4	1203-003240	IC621	IC-POSI.FIXED REG.	L78M05,IPAK,3P,6.5x6.1mm,PLASTIC,4.75/5.25V,-,0to+150C,0.5A,-,ST	SA
4	1203-000243	IC622	IC-POSI.FIXED REG.	7812,TO-220,3P,-,PLASTIC,11.5/12.5V.,16W,0to+125C,1A,-,ST	SA
4	BH27-00131A	L411	COIL CHOKE	150UH,AN17K,150UH,10%,0.35OHM,2.5A,AR8X25,72.5TS,18X39MM,11MM,BK	SA
4	BH27-00137A	L441	COIL LINEARITY	6.1UH,6.1UH,DR12X15,7MM,15X15X37MM,12X3T,4T,32TS,TR,12%,0.05OHM,USTCO,12X30	SA
4	BH27-00131A	L501	COIL CHOKE	150UH,AN17K,150UH,10%,0.35OHM,2.5A,AR8X25,72.5TS,18X39MM,11MM,BK	SA
4	BH29-00002A	L601	FILTER LINE NOISE	AN15VS,20MH,0.42OHM,1.5KV,20MH,22X17X34MM,220V,TR,20MH,100MOHM,-10CTD+85C	SA
4	6003-001023	M/PCB+SH/BTM	SCREW-TAPTITE	RWH,+ ,B,M3,L10,ZPC(YEL),SWRCH1	SNA
4	0505-001675	Q451	FET-SILICON	IRF630B,N,200V,9A,0.4OHM,72W,TO-220	SA
4	0505-001675	Q452	FET-SILICON	IRF630B,N,200V,9A,0.4OHM,72W,TO-220	SA
4	3501-001111	RL601	RELAY-POWER	12VDC,250MW,5000MA,1FORMA,15MS,5MS	SA
4	6003-000133	SH/BTM+AC/SOCK	SCREW-TAPTITE	BH,+ ,S,M4,L8,ZPC(YEL),SWRCH18A,-	SNA
4	BH39-00451A	SIGNAL	CBF SIGNAL	LE17JS,15P/06P,07P,20276-N,1830mm,UL20276,BLACK,D-SUB /MALE,BLACK,30V,ATT. TYPE	SNA
4	BH26-00027A	T401	TRANS-HOR.DRIVE	FQB-17A001,PL-3,EI1916,310UH	△ SA
4	BH26-00162A	T501	TRANS FBT	FSA0210,AN15V,1.97mH,HV45,HV45,32.5,0.44ohm,164.5,12P,-10 ~55,BK,26KV	△ SA
4	BH26-00164A	T601	TRANS POWER	ER-3435,CU17KS,350UH,15.90-264V,80V,10-55,FERRITE,ER-3435,0.05ohm/0.35ohm,8uH M	SA
4	BH26-00163A	T602	TRANS	UU-1116,CU17K,5,18mH min,18mH min,2.7ohm MAX,10 ~ 55,FERRITE,UU-1116 SB-5S	SA
4	1404-001264	TH601	THERMISTOR-PTC	4.5OHM,+30/-20%,220V,290VAC,21A,-,TR	SA
4	1404-001020	TH602	THERMISTOR-NTC	8ohm,15%,-,17mW/C,BK	SA
4	BH97-00505A	MICOM	ASSY MICOM	LE15VS	SA
5	0903-001194	IC201	IC-MICROCONTROLLER	3P863,8bit,SDIP,42P,600MIL,12MHz,ST,CMOS,PLASTIC,5V,-,40to+85C,1040BYTE,48KBYTE	△ SNA
5	BH82-00020G	CIS	A/S MICOM	LE15VS	SNA
4	BH97-00507A	-	ASSY AUTO-(MAIN)SN	LE15VS	SNA
5	3301-001450	BD401	BEAD-AXIAL	45ohm,3.5x0.6x5.7mm,50mA,TP,,,	SNA

7 Electrical Parts List

Level	Loc. No.	CodeNo.	Description	Specification	Remarks
5	3301-001450	BD402	BEAD-AXIAL	45ohm,3.5x0.6x5.7mm,50mA,TP,,,	SNA
5	3301-001450	BD431	BEAD-AXIAL	45ohm,3.5x0.6x5.7mm,50mA,TP,,,	SNA
5	3301-001450	BD501	BEAD-AXIAL	45ohm,3.5x0.6x5.7mm,50mA,TP,,,	SNA
5	3301-001450	BD502	BEAD-AXIAL	45ohm,3.5x0.6x5.7mm,50mA,TP,,,	SNA
5	3301-001450	BD601	BEAD-AXIAL	45ohm,3.5x0.6x5.7mm,50mA,TP,,,	SNA
5	3301-001450	BD621	BEAD-AXIAL	45ohm,3.5x0.6x5.7mm,50mA,TP,,,	SNA
5	3301-001450	BD622	BEAD-AXIAL	45ohm,3.5x0.6x5.7mm,50mA,TP,,,	SNA
5	2202-002037	C201	C-CERAMIC,MLC-AXIAL	100nF,80-20%,50V,Y5V,TP,2.2x3.	SA
5	2202-000205	C202	C-CERAMIC,MLC-AXIAL	22pF,5%,50V,SL,TP,1.9x3.5,-	SA
5	2202-000205	C203	C-CERAMIC,MLC-AXIAL	22pF,5%,50V,SL,TP,1.9x3.5,-	SA
5	2202-000121	C205	C-CERAMIC,MLC-AXIAL	100pF,10%,50V,Y5P,TP,1.9x3.5,-	SA
5	2202-000796	C206	C-CERAMIC,MLC-AXIAL	1nF,10%,50V,Y5P,TP,3.5X1.9MM,-	SA
5	2202-000121	C207	C-CERAMIC,MLC-AXIAL	100pF,10%,50V,Y5P,TP,1.9x3.5,-	SA
5	2401-000603	C208	C-AL	1UF,20%,50V,GP,TP,5X11,2	SA
5	2401-000603	C209	C-AL	1UF,20%,50V,GP,TP,5X11,2	SA
5	2401-002299	C210	C-AL	4.7uF,20%,50V,GP,TP,5x7,5	SA
5	2401-002299	C211	C-AL	4.7uF,20%,50V,GP,TP,5x7,5	SA
5	2301-000148	C213	C-FILM,LEAD-PEF	10nF,5%,100V,TP,7x3.2x7mm,5mm	SA
5	2401-000039	C301	C-AL	1000uF,20%,16V,GP,TP,10x16,5	SA
5	2301-000519	C302	C-FILM,LEAD-PEF	3.3nF,5%,100V,TP,5.8x3x12.5,5m	SA
5	2305-000665	C303	C-FILM,LEAD-PEF	100nF,5%,63V,TP,7.5x4.0x5.0mm,	SA
5	2301-000148	C304	C-FILM,LEAD-PEF	10nF,5%,100V,TP,7x3.2x7mm,5mm	SA
5	2305-000237	C305	C-FILM,LEAD-PEF	1uF,5%,63V,TP,7.5x15.5mm,5mm	SA
5	2401-000852	C306	C-AL	220uF,20%,35V,GP,TP,8x11.5mm,5	SA
5	2202-002008	C307	C-CERAMIC,MLC-AXIAL	10nF,+80-20%,50V,Y5V,TP,2.3X3.	SA
5	2305-000196	C331	C-FILM,LEAD-PEF	150nF,5%,63V,TP,-,5mm	SA
5	2305-000412	C332	C-FILM,LEAD-PEF	470nF,5%,63V,TP,-,5mm	SA
5	2401-002144	C333	C-AL	47uF,20%,16V,GP,TP,5x11,5	SA
5	2401-001334	C401	C-AL	0.47UF,20%,50V,GP,TP,5X11,2.5	SA
5	2401-001220	C402	C-AL	4.7uF,20%,160V,GP,TP,8x11.5,5	SA
5	2301-000010	C403	C-FILM,LEAD-PEF	100nF,5%,100V,TP,11.5x12.5mm,5	SA
5	2301-001463	C404	C-FILM,LEAD-PPF	4nF,5%,630V,TP,17X9X5,7,5	SA
5	2303-001023	C405	C-FILM,LEAD-PEF	2.2nF,5%,2.5KV,TP,23x13x19,7,5	△ SA
5	2303-001023	C406	C-FILM,LEAD-PEF	2.2nF,5%,2.5KV,TP,23x13x19,7,5	△ SA
5	2401-001914	C411	C-AL	1uF,20%,50V,BP,TP,5x11,5	SA
5	2201-000471	C412	C-CERAMIC,DISC	0.33NF,10%,50V,Y5P,TP,4X3.5MM,5	SA
5	2301-000016	C413	C-FILM,LEAD-PEF	22nF,5%,100V,TP,7.2x4.5x9.0mm,	SA
5	2301-000005	C414	C-FILM,LEAD-PEF	33nF,5%,100V,TP,5.8x12.5x3,5	SA
5	2401-001012	C415	C-AL	3.3UF,20%,50V,BP,TP,16X25,7,5	SA
5	2401-000025	C431	C-AL	100uF,20%,16V,GP,TP,6.3x11,5	SA
5	2305-000665	C432	C-FILM,LEAD-PEF	100nF,5%,63V,TP,7.5x4.0x5.0mm,	SA
5	2301-000148	C433	C-FILM,LEAD-PEF	10nF,5%,100V,TP,7x3.2x7mm,5mm	SA
5	2202-000573	C434	C-CERAMIC,MLC-RADIAL	0.82NF,5%,50V,COG,TP,5.1X3.2X5.1MM,5	SA
5	2301-000148	C435	C-FILM,LEAD-PEF	10nF,5%,100V,TP,7x3.2x7mm,5mm	SA
5	2401-000660	C436	C-AL	2.2uF,20%,50V,GP,TP,5x11,5	SA
5	2401-000603	C437	C-AL	1UF,20%,50V,GP,TP,5X11,2	SA
5	2401-002144	C438	C-AL	47uF,20%,16V,GP,TP,5x11,5	SA
5	2201-000672	C441	C-CERAMIC,DISC	0.82NF,10%,500V,Y5P,TP,6.5X3MM,5	SA
5	2301-001162	C451	C-FILM,LEAD-PPF	370nF,5%,250V,TP,19x18.5x12,5,	SA
5	2306-000131	C452	C-FILM,LEAD-PPF	150nF,5%,250V,TP,19x16x7.5,7,5	SA
5	2306-000171	C455	C-FILM,LEAD-PPF	270nF,5%,250V,TP,21.5x12.5mm,7	SA
5	2401-000603	C456	C-AL	1UF,20%,50V,GP,TP,5X11,2	SA
5	2401-000603	C457	C-AL	1UF,20%,50V,GP,TP,5X11,2	SA
5	2401-003826	C501	C-AL	220UF,20%,63V,LR,TP,10X25MM,5	SA
5	2201-000291	C502	C-CERAMIC,DISC	1nF,10%,500V,Y5P,TP,7.5X3.5MM,5	SA
5	2401-002267	C505	C-AL	2.2uF,20%,250V,GP,TP,8x11.5,5	SA
5	2301-000294	C521	C-FILM,LEAD-PEF	56nF,5%,100V,TP,9.5x12.5mm,5mm	SA
5	2202-002037	C531	C-CERAMIC,MLC-AXIAL	100nF,80-20%,50V,Y5V,TP,2.2x3.	SA
5	2301-000188	C532	C-FILM,LEAD-PEF	1nF,5%,100V,TP,10.5x12.5x6.5,5	SA
5	2401-000758	C533	C-AL	0.22UF,20%,50V,GP,TP,5X11,5	SA
5	2301-000005	C534	C-FILM,LEAD-PEF	33nF,5%,100V,TP,5.8x12.5x3,5	SA
5	2301-000188	C535	C-FILM,LEAD-PEF	1nF,5%,100V,TP,10.5x12.5x6.5,5	SA

Level	Loc. No.	Code No.	Description	Specification	Remarks
5	2301-000203	C536	C-FILM,LEAD-PEF	2.7nF,5%,100V,TP,7x3.0x6.5mm,5	SA
5	2202-002037	C537	C-CERAMIC,MLC-AXIAL	100nF,80-20%,50V,Y5V,TP,2.2x3	SA
5	2201-000023	C603	C-CERAMIC,DISC	2.2NF,20%,250V,Y5U,TP,11X7MM,5	SA
5	2201-000023	C604	C-CERAMIC,DISC	2.2NF,20%,250V,Y5U,TP,11X7MM,5	SA
5	2401-000970	C606	C-AL	22uF,20%,50V,WT,TP,5x11,5	SA
5	2202-002037	C607	C-CERAMIC,MLC-AXIAL	100nF,80-20%,50V,Y5V,TP,2.2x3	SA
5	2201-000325	C608	C-CERAMIC,DISC	2.2NF,10%,500V,Y5P,TP,9.5X4MM,5	SA
5	2201-000129	C609	C-CERAMIC,DISC	0.1NF,10%,1KV,Y5P,TP,7X4MM,5	SA
5	2301-000188	C610	C-FILM,LEAD-PEF	1nF,5%,100V,TP,10.5x12.5x6.5,5	SA
5	2401-000611	C611	C-AL	1uF,20%,50V,WT,TP,5x11,5	SA
5	2305-000665	C613	C-FILM,LEAD-PEF	100nF,5%,63V,TP,7.5x4.0x5.0mm,	SA
5	2301-000284	C614	C-FILM,LEAD-PEF	47nF,5%,100V,TP,8.5x12.5mm,5mm	SA
5	2401-001513	C615	C-AL	47uF,20%,16V,WT,TP,5x11,5	SA
5	2202-002037	C616	C-CERAMIC,MLC-AXIAL	100nF,80-20%,50V,Y5V,TP,2.2x3	SA
5	2201-000023	C617	C-CERAMIC,DISC	2.2NF,20%,250V,Y5U,TP,11X7MM,5	SA
5	2401-003046	C618	C-AL	47uF,20%,50V,WT,TP,6.3x11,2.5	SA
5	2201-000291	C619	C-CERAMIC,DISC	1NF,10%,500V,Y5P,TP,7.5X3.5MM,5	SA
5	2201-000325	C620	C-CERAMIC,DISC	2.2NF,10%,500V,Y5P,TP,9.5X4MM,5	SA
5	2305-000178	C621	C-FILM,LEAD-PEF	10nF,5%,100V,TP,-,5mm	SA
5	2401-000039	C622	C-AL	1000uF,20%,16V,GP,TP,10x16,5	SA
5	2401-000025	C624	C-AL	100uF,20%,16V,GP,TP,6.3x11,5	SA
5	2401-000025	C625	C-AL	100uF,20%,16V,GP,TP,6.3x11,5	SA
5	2401-002463	C626	C-AL	470uF,20%,16V,GP,TP,8x11.5,5	SA
5	2401-000039	C627	C-AL	1000uF,20%,16V,GP,TP,10x16,5	SA
5	2401-002300	C628	C-AL	47uF,20%,50V,GP,TP,6.3x11,5	SA
5	2401-003826	C629	C-AL	220UF,20%,63V,LR,TP,10X25MM,5	SA
5	2201-000469	C630	C-CERAMIC,DISC	0.33NF,10%,500V,Y5P,TP,5.5X3MM,5	SA
5	2401-000039	C631	C-AL	1000uF,20%,16V,GP,TP,10x16,5	SA
5	2401-000025	C632	C-AL	100uF,20%,16V,GP,TP,6.3x11,5	SA
5	2301-000010	C633	C-FILM,LEAD-PEF	100nF,5%,100V,TP,11.5x12.5mm,5	SA
4	BN61-01137A	CIS16	SUPPORT-CLIP	IBM E74,NYLON 66,1.0,NTR	SNA
5	0203-001199	CIS7	TAPE-KRAFT	#53110,TO.1,W6,L2000M,BRN	SNA
5	0203-001200	CIS8	TAPE-PAPER	#53128,TO.15,W5.5,L2000M,BEIGE	SNA
5	3711-000217	CN602	CONNECTOR-HEADER	1WALL,2P,1R,7.92MM,STRAIGHT,SN,NTR	SA
5	0401-000005	D201	DIODE-SWITCHING	1N4148,75V,150MA,DO-35,TP	SA
5	0402-000128	D301	DIODE-RECTIFIER	1N4002GP,100V,1A,DO-41,TP	SA
5	0402-000546	D302	DIODE-RECTIFIER	TVR10G,400V,1.0A,DO-41,TP	SA
5	0401-000005	D341	DIODE-SWITCHING	1N4148,75V,150MA,DO-35,TP	SA
5	0401-000005	D401	DIODE-SWITCHING	1N4148,75V,150MA,DO-35,TP	SA
5	0401-000004	D402	DIODE-SWITCHING	1SS244,220V,200MA,DO-34,TP	SA
5	0402-000208	D403	DIODE-RECTIFIER	EK-04,40V,1A,DO-41,TP	SA
5	0402-000274	D404	DIODE-RECTIFIER	UF4004,400V,1A,DO-41,TP	SA
5	0401-000005	D411	DIODE-SWITCHING	1N4148,75V,150MA,DO-35,TP	SA
5	0401-000005	D412	DIODE-SWITCHING	1N4148,75V,150MA,DO-35,TP	SA
5	0401-000005	D413	DIODE-SWITCHING	1N4148,75V,150MA,DO-35,TP	SA
5	0401-000005	D414	DIODE-SWITCHING	1N4148,75V,150MA,DO-35,TP	SA
5	0402-000274	D441	DIODE-RECTIFIER	UF4004,400V,1A,DO-41,TP	SA
5	0402-000006	D451	DIODE-RECTIFIER	1N4007GP,1KV,1A,DO-41,TP	SA
5	0402-000006	D452	DIODE-RECTIFIER	1N4007GP,1KV,1A,DO-41,TP	SA
5	0402-000546	D455	DIODE-RECTIFIER	TVR10G,400V,1.0A,DO-41,TP	SA
5	0402-001118	D501	DIODE-RECTIFIER	UF1G,400V,1.2A,DO-204AC,TP	SA
5	0402-000274	D502	DIODE-RECTIFIER	UF4004,400V,1A,DO-41,TP	SA
5	0402-000546	D504	DIODE-RECTIFIER	TVR10G,400V,1.0A,DO-41,TP	SA
5	0401-000005	D511	DIODE-SWITCHING	1N4148,75V,150MA,DO-35,TP	SA
5	0401-000005	D512	DIODE-SWITCHING	1N4148,75V,150MA,DO-35,TP	SA
5	0401-000005	D521	DIODE-SWITCHING	1N4148,75V,150MA,DO-35,TP	SA
5	0401-000005	D522	DIODE-SWITCHING	1N4148,75V,150MA,DO-35,TP	SA
5	0401-000005	D523	DIODE-SWITCHING	1N4148,75V,150MA,DO-35,TP	SA
5	0401-000004	D531	DIODE-SWITCHING	1SS244,220V,200MA,DO-34,TP	SA
5	0401-000004	D532	DIODE-SWITCHING	1SS244,220V,200MA,DO-34,TP	SA
5	0401-000005	D533	DIODE-SWITCHING	1N4148,75V,150MA,DO-35,TP	SA
5	0402-000012	D603	DIODE-RECTIFIER	UF4007,1KV,1A,DO-41,TP	SA

Level	Loc. No.	Code No.	Description	Specification	Remarks
5	0402-000012	D604	DIODE-RECTIFIER	UF4007,1KV,1A,DO-41,TP	SA
5	0402-000546	D605	DIODE-RECTIFIER	TVR10G,400V,1.0A,DO-41,TP	SA
5	0402-000546	D606	DIODE-RECTIFIER	TVR10G,400V,1.0A,DO-41,TP	SA
5	0401-000005	D607	DIODE-SWITCHING	1N4148,75V,150MA,DO-35,TP	SA
5	0401-000005	D608	DIODE-SWITCHING	1N4148,75V,150MA,DO-35,TP	SA
5	0401-000005	D621	DIODE-SWITCHING	1N4148,75V,150MA,DO-35,TP	SA
5	0402-001194	D622	DIODE-RECTIFIER	UG2D,200V,2A,-,TP	SA
5	0402-000274	D623	DIODE-RECTIFIER	UF4004,400V,1A,DO-41,TP	SA
5	0402-000274	D624	DIODE-RECTIFIER	UF4004,400V,1A,DO-41,TP	SA
5	0402-000012	D626	DIODE-RECTIFIER	UF4007,1KV,1A,DO-41,TP	SA
5	0402-001194	D627	DIODE-RECTIFIER	UG2D,200V,2A,-,TP	SA
5	0402-000546	D628	DIODE-RECTIFIER	TVR10G,400V,1.0A,DO-41,TP	SA
5	6042-000001	EY301	EYELET	ID2.2,OD2.7,L3.1,NI+SN,BSP3-1/2H	SNA
5	6042-000001	EY302	EYELET	ID2.2,OD2.7,L3.1,NI+SN,BSP3-1/2H	SNA
5	6042-000001	EY401	EYELET	ID2.2,OD2.7,L3.1,NI+SN,BSP3-1/2H	SNA
5	6042-000001	EY402	EYELET	ID2.2,OD2.7,L3.1,NI+SN,BSP3-1/2H	SNA
5	6042-000001	EY403	EYELET	ID2.2,OD2.7,L3.1,NI+SN,BSP3-1/2H	SNA
5	6042-000002	EY404	EYELET	ID1.5,OD2,L2.8,NI+SN,BSP3-1/2H	SNA
5	6042-000002	EY405	EYELET	ID1.5,OD2,L2.8,NI+SN,BSP3-1/2H	SNA
5	6042-000002	EY406	EYELET	ID1.5,OD2,L2.8,NI+SN,BSP3-1/2H	SNA
5	6042-000002	EY441	EYELET	ID1.5,OD2,L2.8,NI+SN,BSP3-1/2H	SNA
5	6042-000002	EY442	EYELET	ID1.5,OD2,L2.8,NI+SN,BSP3-1/2H	SNA
5	6042-000002	EY501	EYELET	ID1.5,OD2,L2.8,NI+SN,BSP3-1/2H	SNA
5	6042-000002	EY502	EYELET	ID1.5,OD2,L2.8,NI+SN,BSP3-1/2H	SNA
5	6042-000002	EY503	EYELET	ID1.5,OD2,L2.8,NI+SN,BSP3-1/2H	SNA
5	6042-000002	EY504	EYELET	ID1.5,OD2,L2.8,NI+SN,BSP3-1/2H	SNA
5	6042-000002	EY505	EYELET	ID1.5,OD2,L2.8,NI+SN,BSP3-1/2H	SNA
5	6042-000002	EY506	EYELET	ID1.5,OD2,L2.8,NI+SN,BSP3-1/2H	SNA
5	6042-000002	EY507	EYELET	ID1.5,OD2,L2.8,NI+SN,BSP3-1/2H	SNA
5	6042-000001	EY601	EYELET	ID2.2,OD2.7,L3.1,NI+SN,BSP3-1/2H	SNA
5	6042-000001	EY602	EYELET	ID2.2,OD2.7,L3.1,NI+SN,BSP3-1/2H	SNA
5	6042-000001	EY603	EYELET	ID2.2,OD2.7,L3.1,NI+SN,BSP3-1/2H	SNA
5	6042-000001	EY604	EYELET	ID2.2,OD2.7,L3.1,NI+SN,BSP3-1/2H	SNA
5	6042-000001	EY605	EYELET	ID2.2,OD2.7,L3.1,NI+SN,BSP3-1/2H	SNA
5	6042-000001	EY606	EYELET	ID2.2,OD2.7,L3.1,NI+SN,BSP3-1/2H	SNA
5	6042-000002	EY607	EYELET	ID1.5,OD2,L2.8,NI+SN,BSP3-1/2H	SNA
5	6042-000002	EY608	EYELET	ID1.5,OD2,L2.8,NI+SN,BSP3-1/2H	SNA
5	6042-000002	EY621	EYELET	ID1.5,OD2,L2.8,NI+SN,BSP3-1/2H	SNA
5	6042-000002	EY622	EYELET	ID1.5,OD2,L2.8,NI+SN,BSP3-1/2H	SNA
5	BH71-40300A	GT601	PIN-HINGE	BRASS,D2.36!,HEAT/SINK,SN	SNA
5	BH71-40300A	GT602	PIN-HINGE	BRASS,D2.36!,HEAT/SINK,SN	SNA
5	1103-001149	IC241	IC-EEPROM	KS24C041C,512X8BIT,DIP,8P,9.2X6.4MM,-,2.7/5.5V,-,PLASTIC,-25TO+70C,5UA,CMOS,ST	△ △ SA
5	BH39-40305U	JP1	CBF HARNESS	52MM,AWG22(0.6PI),--,AWG22(0.	SA
5	BH39-40305U	JP10	CBF HARNESS	52MM,AWG22(0.6PI),--,AWG22(0.	SA
5	BH39-40305U	JP11	CBF HARNESS	52MM,AWG22(0.6PI),--,AWG22(0.	SA
5	BH39-40305U	JP12	CBF HARNESS	52MM,AWG22(0.6PI),--,AWG22(0.	SA
5	BH39-40305U	JP13	CBF HARNESS	52MM,AWG22(0.6PI),--,AWG22(0.	SA
5	BH39-40305U	JP14	CBF HARNESS	52MM,AWG22(0.6PI),--,AWG22(0.	SA
5	BH39-40305U	JP15	CBF HARNESS	52MM,AWG22(0.6PI),--,AWG22(0.	SA
5	BH39-40305U	JP16	CBF HARNESS	52MM,AWG22(0.6PI),--,AWG22(0.	SA
5	BH39-40305U	JP17	CBF HARNESS	52MM,AWG22(0.6PI),--,AWG22(0.	SA
5	BH39-40305U	JP18	CBF HARNESS	52MM,AWG22(0.6PI),--,AWG22(0.	SA
5	BH39-40305U	JP19	CBF HARNESS	52MM,AWG22(0.6PI),--,AWG22(0.	SA
5	BH39-40305U	JP2	CBF HARNESS	52MM,AWG22(0.6PI),--,AWG22(0.	SA
5	BH39-40305U	JP20	CBF HARNESS	52MM,AWG22(0.6PI),--,AWG22(0.	SA
5	BH39-40305U	JP21	CBF HARNESS	52MM,AWG22(0.6PI),--,AWG22(0.	SA
5	BH39-40305U	JP22	CBF HARNESS	52MM,AWG22(0.6PI),--,AWG22(0.	SA
5	BH39-40305U	JP23	CBF HARNESS	52MM,AWG22(0.6PI),--,AWG22(0.	SA
5	BH39-40305U	JP24	CBF HARNESS	52MM,AWG22(0.6PI),--,AWG22(0.	SA
5	BH39-40305U	JP25	CBF HARNESS	52MM,AWG22(0.6PI),--,AWG22(0.	SA
5	BH39-40305U	JP26	CBF HARNESS	52MM,AWG22(0.6PI),--,AWG22(0.	SA
5	BH39-40305U	JP27	CBF HARNESS	52MM,AWG22(0.6PI),--,AWG22(0.	SA

Level	Loc. No.	Code No.	Description	Specification	Remarks
5	BH39-40305U	JP3	CBF HARNESS	52MM,AWG22(0.6PI),-,-,AWG22(0.	SA
5	BH39-40305U	JP31	CBF HARNESS	52MM,AWG22(0.6PI),-,-,AWG22(0.	SA
5	BH39-40305U	JP32	CBF HARNESS	52MM,AWG22(0.6PI),-,-,AWG22(0.	SA
5	BH39-40305U	JP33	CBF HARNESS	52MM,AWG22(0.6PI),-,-,AWG22(0.	SA
5	BH39-40305U	JP34	CBF HARNESS	52MM,AWG22(0.6PI),-,-,AWG22(0.	SA
5	BH39-40305U	JP35	CBF HARNESS	52MM,AWG22(0.6PI),-,-,AWG22(0.	SA
5	BH39-40305U	JP37	CBF HARNESS	52MM,AWG22(0.6PI),-,-,AWG22(0.	SA
5	BH39-40305U	JP38	CBF HARNESS	52MM,AWG22(0.6PI),-,-,AWG22(0.	SA
5	BH39-40305U	JP4	CBF HARNESS	52MM,AWG22(0.6PI),-,-,AWG22(0.	SA
5	BH39-40305U	JP5	CBF HARNESS	52MM,AWG22(0.6PI),-,-,AWG22(0.	SA
5	BH39-40305U	JP6	CBF HARNESS	52MM,AWG22(0.6PI),-,-,AWG22(0.	SA
5	BH39-40305U	JP7	CBF HARNESS	52MM,AWG22(0.6PI),-,-,AWG22(0.	SA
5	BH39-40305U	JP8	CBF HARNESS	52MM,AWG22(0.6PI),-,-,AWG22(0.	SA
5	BH39-40305U	JP9	CBF HARNESS	52MM,AWG22(0.6PI),-,-,AWG22(0.	SA
5	BH41-00268A	MP1.0	PCB MAIN	LE17JS,FR-1,1,1.0,1.6T,247*247,LE17,MAIN	SNA
5	0501-000372	Q401	TR-SMALL SIGNAL	KSC2383-Y,NPN,90000mW,TO-92L,TP,160-320	Y
5	0501-000303	Q411	TR-SMALL SIGNAL	KSA733,PNP,250mW,TO-92,TP,120-240	SA
5	0501-000303	Q412	TR-SMALL SIGNAL	KSA733,PNP,250mW,TO-92,TP,120-240	SA
5	0501-000140	Q413	TR-SMALL SIGNAL	2N5551,NPN,625mW,TO-92,TP,80-250	SA
5	0501-000412	Q455	TR-SMALL SIGNAL	KSP42,NPN,625mW,TO-92,-,40	SA
5	0501-000412	Q456	TR-SMALL SIGNAL	KSP42,NPN,625mW,TO-92,-,40	SA
5	0501-000586	Q501	TR-SMALL SIGNAL	KSC945,NPN,250mW,TO-92,TP,120-240	SA
5	0501-000303	Q502	TR-SMALL SIGNAL	KSA733,PNP,250mW,TO-92,TP,120-240	SA
5	0501-000586	Q511	TR-SMALL SIGNAL	KSC945,NPN,250mW,TO-92,TP,120-240	SA
5	0501-000143	Q512	TR-SMALL SIGNAL	2N6520,PNP,625mW,TO-92,TP,30-200	SA
5	0501-000122	Q601	TR-SMALL SIGNAL	2N3904,NPN,625mW,TO-92,TP,100-300	SA
5	0501-000010	Q621	TR-SMALL SIGNAL	KSC1008,NPN,800mW,TO-92,TP,120-240	SA
5	0501-000586	Q622	TR-SMALL SIGNAL	KSC945,NPN,250mW,TO-92,TP,120-240	SA
5	0501-000404	Q623	TR-SMALL SIGNAL	KSD1616-Y,NPN,750mW,TO-92,TP,135-270	SA
5	0501-000586	Q624	TR-SMALL SIGNAL	KSC945,NPN,250mW,TO-92,TP,120-240	SA
5	0501-002228	Q625	TR-SMALL SIGNAL	KTA1281,PNP,1000mW,TO-92L,TP,120-240	SA
5	2001-000869	R201	R-CARBON	560HM,5%,1/8W,AA,TP,1.8X3.2MM	SA
5	2001-000290	R202	R-CARBON	10KOHM,5%,1/8W,AA,TP,1.8X3.2MM	SA
5	2001-000008	R203	R-CARBON	15KOHM,5%,1/8W,AA,TP,1.8X3.2MM	SA
5	2001-000008	R204	R-CARBON	15KOHM,5%,1/8W,AA,TP,1.8X3.2MM	SA
5	2001-000869	R205	R-CARBON	560HM,5%,1/8W,AA,TP,1.8X3.2MM	SA
5	2001-000869	R206	R-CARBON	560HM,5%,1/8W,AA,TP,1.8X3.2MM	SA
5	2001-000290	R207	R-CARBON	10KOHM,5%,1/8W,AA,TP,1.8X3.2MM	SA
5	2001-000734	R209	R-CARBON	4.7KOHM,5%,1/8W,AA,TP,1.8X3.2MM	SA
5	2001-000734	R210	R-CARBON	4.7KOHM,5%,1/8W,AA,TP,1.8X3.2MM	SA
5	2001-000734	R211	R-CARBON	4.7KOHM,5%,1/8W,AA,TP,1.8X3.2MM	SA
5	2001-000734	R212	R-CARBON	4.7KOHM,5%,1/8W,AA,TP,1.8X3.2MM	SA
5	2001-000281	R213	R-CARBON	1000HM,5%,1/8W,AA,TP,1.8X3.2MM	SA
5	2001-000281	R214	R-CARBON	1000HM,5%,1/8W,AA,TP,1.8X3.2MM	SA
5	2001-000554	R215	R-CARBON	2700HM,5%,1/8W,AA,TP,1.8X3.2MM	SA
5	2001-000281	R216	R-CARBON	1000HM,5%,1/8W,AA,TP,1.8X3.2MM	SA
5	2001-000281	R217	R-CARBON	1000HM,5%,1/8W,AA,TP,1.8X3.2MM	SA
5	2001-000281	R218	R-CARBON	1000HM,5%,1/8W,AA,TP,1.8X3.2MM	SA
5	2001-000281	R219	R-CARBON	1000HM,5%,1/8W,AA,TP,1.8X3.2MM	SA
5	2001-000429	R220	R-CARBON	1KOHM,5%,1/8W,AA,TP,1.8X3.2MM	SA
5	2001-000429	R221	R-CARBON	1KOHM,5%,1/8W,AA,TP,1.8X3.2MM	SA
5	2001-000290	R222	R-CARBON	10KOHM,5%,1/8W,AA,TP,1.8X3.2MM	SA
5	2001-000290	R223	R-CARBON	10KOHM,5%,1/8W,AA,TP,1.8X3.2MM	SA
5	2001-000241	R224	R-CARBON	1.5KOHM,5%,1/8W,AA,TP,1.8X3.2MM	SA
5	2001-000435	R225	R-CARBON	1MOHM,5%,1/8W,AA,TP,1.8X3.2MM	SA
5	2001-000869	R231	R-CARBON	560HM,5%,1/8W,AA,TP,1.8X3.2MM	SA
5	2001-000869	R232	R-CARBON	560HM,5%,1/8W,AA,TP,1.8X3.2MM	SA
5	2001-000281	R241	R-CARBON	1000HM,5%,1/8W,AA,TP,1.8X3.2MM	SA
5	2001-000281	R242	R-CARBON	1000HM,5%,1/8W,AA,TP,1.8X3.2MM	SA
5	2001-000281	R243	R-CARBON	1000HM,5%,1/8W,AA,TP,1.8X3.2MM	SA
5	2001-000539	R302	R-CARBON	24KOHM,5%,1/8W,AA,TP,1.8X3.2MM	SA
5	2004-001329	R303	R-METAL	9.1Kohm,1%,1/4W,AA,TP,2.4x6.4m	SA

Level	Loc. No.	Code No.	Description	Specification	Remarks
5	2001-000628	R304	R-CARBON	3000HM,5%,1/8W,AA,TP,1.8X3.2MM	SA
5	2004-000481	R305	R-METAL	2.4Kohm,1%,1/4W,AA,TP,2.4x6.4m	SA
5	2004-000970	R306	R-METAL	470ohm,1%,1/4W,AA,TP,2.4x6.4mm	SA
5	2004-001022	R307	R-METAL	5.6Kohm,1%,1/4W,AA,TP,2.4x6.4m	SA
5	2004-004014	R308	R-METAL	2.4ohm,1%,1/4W,AA,TP,2.4x6.4mm	SA
5	2004-004014	R309	R-METAL	2.4ohm,1%,1/4W,AA,TP,2.4x6.4mm	SA
5	2001-001111	R310	R-CARBON(S)	2400HM,5%,1/2W,AA,TP,2.4X6.4MM	SA
5	2001-000908	R311	R-CARBON	62KOHM,5%,1/8W,AA,TP,1.8X3.2MM	SA
5	2001-001053	R312	R-CARBON(S)	1.5OHM,5%,1/2W,AA,TP,2.4X6.4MM	SA
5	2001-000734	R331	R-CARBON	4.7KOHM,5%,1/8W,AA,TP,1.8X3.2MM	SA
5	2001-000010	R332	R-CARBON	68KOHM,5%,1/8W,AA,TP,1.8X3.2MM	SA
5	2001-000702	R333	R-CARBON	39KOHM,5%,1/8W,AA,TP,1.8X3.2MM	SA
5	2001-000281	R334	R-CARBON	100OHM,5%,1/8W,AA,TP,1.8X3.2MM	SA
5	2001-001178	R401	R-CARBON(S)	680OHM,5%,1/2W,AA,TP,2.4X6.4MM	SA
5	2001-000110	R402	R-CARBON	100HM,5%,1/4W,AA,TP,2.4X6.4MM	SA
5	2001-000429	R403	R-CARBON	1KOHM,5%,1/8W,AA,TP,1.8X3.2MM	SA
5	2001-000773	R404	R-CARBON	470KOHM,5%,1/8W,AA,TP,1.8X3.2MM	SA
5	2001-001078	R405	R-CARBON(S)	15KOHM,5%,1/2W,AA,TP,2.4X6.4MM	SA
5	2003-000736	R406	R-METAL OXIDE(S)	560ohm,5%,3W,AA,TP,6x16mm	SA
5	2003-000438	R407	R-METAL OXIDE(S)	1.5ohm,5%,3W,AA,TP,6x16mm	SA
5	2001-000020	R408	R-CARBON(S)	220HM,5%,1/2W,AA,TP,2.4X6.4MM	SA
5	2004-000979	R411	R-METAL	47Kohm,1%,1/4W,AA,TP,2.4x6.4mm	SA
5	2004-000262	R412	R-METAL	120Kohm,1%,1/4W,AA,TP,2.4x6.4m	SA
5	2004-000216	R415	R-METAL	10Kohm,1%,1/4W,AA,TP,2.4x6.4mm	SA
5	2004-001060	R416	R-METAL	51Kohm,1%,1/4W,AA,TP,2.4x6.4mm	SA
5	2001-000397	R417	R-CARBON	180KOHM,5%,1/8W,AA,TP,1.8X3.2MM	SA
5	2001-000613	R418	R-CARBON	3.9KOHM,5%,1/8W,AA,TP,1.8X3.2MM	SA
5	2004-000327	R419	R-METAL	150Kohm,1%,1/4W,AA,TP,2.4x6.4m	SA
5	2004-000698	R420	R-METAL	3.3Kohm,1%,1/4W,AA,TP,2.4x6.4m	SA
5	2004-000344	R421	R-METAL	15Kohm,1%,1/4W,AA,TP,2.4x6.4mm	SA
5	2004-001254	R431	R-METAL	8.2Kohm,1%,1/4W,AA,TP,2.4x6.4m	SA
5	2001-000449	R432	R-CARBON	2.2KOHM,5%,1/8W,AA,TP,1.8X3.2MM	SA
5	2003-000650	R441	R-METAL OXIDE(S)	330ohm,5%,2W,AA,TP,4x12mm	SA
5	2001-000290	R451	R-CARBON	10KOHM,5%,1/8W,AA,TP,1.8X3.2MM	SA
5	2001-000449	R452	R-CARBON	2.2KOHM,5%,1/8W,AA,TP,1.8X3.2MM	SA
5	2001-000786	R453	R-CARBON	47KOHM,5%,1/8W,AA,TP,1.8X3.2MM	SA
5	2001-000290	R454	R-CARBON	10KOHM,5%,1/8W,AA,TP,1.8X3.2MM	SA
5	2001-000449	R455	R-CARBON	2.2KOHM,5%,1/8W,AA,TP,1.8X3.2MM	SA
5	2001-000786	R456	R-CARBON	47KOHM,5%,1/8W,AA,TP,1.8X3.2MM	SA
5	2001-001099	R501	R-CARBON(S)	2.7KOHM,5%,1/2W,AA,TP,2.4X6.4MM	SA
5	2003-000145	R502	R-METAL OXIDE	100ohm,5%,1W,AA,TP,4.3x12mm	SA
5	2001-000333	R503	R-CARBON	120HM,5%,1/4W,AA,TP,2.4X6.4MM	SA
5	2001-000522	R504	R-CARBON	22KOHM,5%,1/8W,AA,TP,1.8X3.2MM	SA
5	2003-000703	R505	R-METAL OXIDE(S)	470ohm,5%,3W,AA,TP,6x16mm	SA
5	2003-000407	R506	R-METAL OXIDE(S)	0.6ohm,5%,2W,AA,TP,4x12mm	△ SA
5	2001-000107	R507	R-CARBON(S)	150KOHM,5%,1/2W,AA,TP,2.4X6.4MM	SA
5	2001-000429	R508	R-CARBON	1KOHM,5%,1/8W,AA,TP,1.8X3.2MM	△ SA
5	2001-000786	R511	R-CARBON	47KOHM,5%,1/8W,AA,TP,1.8X3.2MM	SA
5	2001-001071	R512	R-CARBON(S)	12KOHM,5%,1/2W,AA,TP,2.4X6.4MM	SA
5	2002-001099	R514	R-COMPOSITION	68KOHM,5%,1/2W,AA,TP,3.0X9.0MM	SNA
5	2002-001097	R515	R-COMPOSITION	33KOHM,5%,1/2W,AA,TP,4X12MM	SA
5	2004-000825	R521	R-METAL	36Kohm,1%,1/4W,AB,TP,2.4x6.4mm	SA
5	2004-000861	R522	R-METAL	39Kohm,1%,1/4W,AA,TP,2.4x6.4mm	SA
5	2001-000008	R523	R-CARBON	15KOHM,5%,1/8W,AA,TP,1.8X3.2MM	SA
5	2001-000429	R524	R-CARBON	1KOHM,5%,1/8W,AA,TP,1.8X3.2MM	SA
5	2001-000337	R525	R-CARBON	130KOHM,5%,1/8W,AA,TP,1.8X3.2MM	SA
5	2001-000864	R531	R-CARBON	56KOHM,5%,1/8W,AA,TP,1.8X3.2MM	SA
5	2001-000290	R532	R-CARBON	10KOHM,5%,1/8W,AA,TP,1.8X3.2MM	SA
5	2001-000478	R533	R-CARBON	2.7OHM,5%,1/4W,AA,TP,2.4X6.4MM	SA
5	2001-000890	R534	R-CARBON	6.8KOHM,5%,1/8W,AA,TP,1.8X3.2MM	SA
5	2001-000995	R535	R-CARBON	820OHM,5%,1/8W,AA,TP,1.8X3.2MM	SA
5	2004-000861	R536	R-METAL	39Kohm,1%,1/4W,AA,TP,2.4x6.4mm	△ SA

Level	Loc. No.	Code No.	Description	Specification	Remarks
5	2004-000218	R537	R-METAL	10Kohm,1%,1/8W,AA,TP,1.8x3.2mm	△ SA
5	2004-000284	R538	R-METAL	12Kohm,1%,1/4W,AA,TP,2.4x6.4mm	△ SA
5	2001-000008	R539	R-CARBON	15KOHM,5%,1/8W,AA,TP,1.8X3.2MM	△ SA
5	2004-000458	R540	R-METAL	2.2Kohm,1%,1/4W,AA,TP,2.4x6.4m	△ SA
5	2001-000356	R541	R-CARBON	150KOHM,5%,1/8W,AA,TP,1.8X3.2MM	SA
5	2001-000319	R542	R-CARBON	120KOHM,5%,1/8W,AA,TP,1.8X3.2MM	SA
5	2001-001129	R601	R-CARBON(S)	330KOHM,5%,1/2W,AA,TP,2.4X6.4MM	SA
5	2001-001129	R602	R-CARBON(S)	330KOHM,5%,1/2W,AA,TP,2.4X6.4MM	SA
5	2003-000738	R603	R-METAL OXIDE(S)	56Kohm,5%,2W,AA,TP,4x12mm	SA
5	2003-000014	R604	R-METAL OXIDE(S)	10Kohm,5%,3W,AA,TP,6x16mm	SA
5	2002-001103	R605	R-COMPOSITION	300Kohm,5%,1/2W,AA,TP,3.7x10.0mm	SA
5	2002-001103	R606	R-COMPOSITION	300Kohm,5%,1/2W,AA,TP,3.7x10.0mm	SA
5	2001-001116	R607	R-CARBON(S)	270HM,5%,1/2W,AA,TP,2.4X6.4MM	SA
5	2001-000734	R608	R-CARBON	4.7KOHM,5%,1/8W,AA,TP,1.8X3.2MM	SA
5	2001-000780	R609	R-CARBON	470OHM,5%,1/8W,AA,TP,1.8X3.2MM	SA
5	2001-000281	R610	R-CARBON	100OHM,5%,1/8W,AA,TP,1.8X3.2MM	SA
5	BH39-40305U	R611	CBF HARNESS	52MM,AWG22(0.6PI),-,-,AWG22(0.	SA
5	2001-001126	R620	R-CARBON(S)	300OHM,5%,1/2W,AA,TP,2.4X6.4MM	SA
5	2001-000023	R621	R-CARBON	470HM,5%,1/4W,AA,TP,2.4X6.4MM	SA
5	2001-000027	R622	R-CARBON	100OHM,5%,1/4W,AA,TP,2.4X6.4MM	SA
5	2001-000613	R623	R-CARBON	3.9KOHM,5%,1/8W,AA,TP,1.8X3.2MM	SA
5	2001-000429	R624	R-CARBON	1KOHM,5%,1/8W,AA,TP,1.8X3.2MM	SA
5	BH39-40305U	R625	CBF HARNESS	52MM,AWG22(0.6PI),-,-,AWG22(0.	SA
5	2001-000290	R626	R-CARBON	10KOHM,5%,1/8W,AA,TP,1.8X3.2MM	SA
5	2001-001088	R628	R-CARBON(S)	1KOHM,5%,1/2W,AA,TP,2.4X6.4MM	SA
5	2001-000786	R629	R-CARBON	47KOHM,5%,1/8W,AA,TP,1.8X3.2MM	SA
5	2001-000062	R630	R-CARBON	470OHM,5%,1/4W,AA,TP,2.4X6.4MM	SA
5	2003-000471	R631	R-METAL OXIDE(S)	10ohm,5%,2W,AA,TP,4x12mm	SA
5	6042-000002	TP501	EYELET	ID1.5,OD2,L2.8,NH+SN,BSP3-1/2H	SNA
5	2801-000006	X201	CRYSTAL-UNIT	12MHz,50ppm,28-AAM,S,35ohm,BK	SA
5	0403-000348	ZD201	DIODE-ZENER	UZ36B,33-39V,500MW,DO-35,TP	SA
5	0403-001068	ZD202	DIODE-ZENER	UZ4.7BSA,4.44-4.68V,500MW,DO-34,TP	SA
5	0403-000361	ZD211	DIODE-ZENER	UZ6.2BSB,5.96-6.27V,500MW,DO-34,TP	SA
5	0403-000361	ZD212	DIODE-ZENER	UZ6.2BSB,5.96-6.27V,500MW,DO-34,TP	SA
5	0403-000361	ZD221	DIODE-ZENER	UZ6.2BSB,5.96-6.27V,500MW,DO-34,TP	SA
5	0403-000361	ZD222	DIODE-ZENER	UZ6.2BSB,5.96-6.27V,500MW,DO-34,TP	SA
5	0403-000361	ZD223	DIODE-ZENER	UZ6.2BSB,5.96-6.27V,500MW,DO-34,TP	SA
5	0403-000361	ZD224	DIODE-ZENER	UZ6.2BSB,5.96-6.27V,500MW,DO-34,TP	SA
5	0403-000361	ZD225	DIODE-ZENER	UZ6.2BSB,5.96-6.27V,500MW,DO-34,TP	SA
5	0403-000361	ZD226	DIODE-ZENER	UZ6.2BSB,5.96-6.27V,500MW,DO-34,TP	SA
5	0403-000361	ZD241	DIODE-ZENER	UZ6.2BSB,5.96-6.27V,500MW,DO-34,TP	SA
5	0403-000361	ZD242	DIODE-ZENER	UZ6.2BSB,5.96-6.27V,500MW,DO-34,TP	SA
5	0403-000355	ZD514	DIODE-ZENER	UZ5.1BSB,5-5.2V,500MW,DO-35,TP	SA
5	0403-001221	ZD601	DIODE-ZENER	UZ39BSB,35.36-37.19V,500MW,DO-34,TP	SA
5	0403-000361	ZD602	DIODE-ZENER	UZ6.2BSB,5.96-6.27V,500MW,DO-34,TP	SA
4	BP96-00064C	HS601	ASSY HEAT SINK P	BH62-00004A,SPRING,8S0765RC,RUBBER SILICON	SNA
5	BH13-00045A	CIS	IC HYBRID	FS8S0765RCYDTU,CU17KS,5,-25 to 85,TO-220(FORMING),35,ST	SA
5	BH61-00004A	CIS	SPRING ETC-TR	CDA,CDB,SUS304,-,-,-,-,TO.5,-,-,-	SNA
5	BH62-00004A	CIS	HEAT SINK-POWER	-T1,-,A1050S,DA/DB	SNA
5	BH62-20001B	CIS	TUBE-RUBBER	CSQ4357,W25*L20*TO.45,-,-,-,-	SNA
4	BP96-00065B	HS301	ASSY HEAT SINK P	BH62-00003B,SPRING,STV9325,OIL SILICON	SNA
5	0205-001027	H/S	OIL-SILICON	G746,-,-	SNA
5	1204-002262	H/S	IC-VERTICAL DEF.	STV9325,HEPTAWATT,7P,15.45x10.22mm,PLASTIC,35V,-,-40to+150C,ST,IC-VERTICAL DEF.	SNA
5	6003-000334	H/S	SCREW-TAPTITE	RH,+2S,M3,L6,ZPC(YEL),SWRCH18	SNA
5	BH62-00003B	H/S	HEAT SINK-VERT	A1050S,T1.0,T1.0,-,DA,DB	SNA
4	BP96-00066R	HS490	ASSY HEAT SINK P	BH62-00015A,SPRING,KTD2058,FFPF04F150S,2001HI,OIL SILICON	SNA
5	0205-001027	H/S	OIL-SILICON	G746,-,-	SNA
5	0402-001495	H/S	DIODE-RECTIFIER	FFPF04F150S,1500V,4A,DO-204AC,ST	SA
5	0502-000465	H/S	TR-POWER	KTD2058,NPN,25000mW,TO-220IS,ST,100-200	SA

Level	Loc. No.	Code No.	Description	Specification	Remarks
5	0502-001232	H/S	TR-POWER	ST2001HI,NPN,55000MW,ISOWATT218,ST,5-10	SA
5	BH61-00004A	H/S	SPRING ETC-TR	CDA,CDB,SUS304,-,-,-,-,-,TO.5,-,-,-	SNA
5	BH61-70003A	H/S	SPRING ETC	CVT4857,STS304-W1/2H,W3.8,-,L30,L30,-,TO.5,DEGRE,W3.8,STS304-W1/2H	SNA
5	BH62-00015A	H/S	HEAT SINK-FBT	A1050S,T1.0,T1.0,-,-	SNA
4	BP96-00072A	HS590	ASSY HEAT SINK P	H/S TR,SPRING,IRF630B,OIL SILICON	SNA
5	0205-001027	CIS	OIL-SILICON	G746,-,-	SNA
5	0505-001675	CIS	FET-SILICON	IRF630B,N,200V,9A,0.4OHM,72W,TO-220	SA
5	BH61-00004A	CIS	SPRING ETC-TR	CDA,CDB,SUS304,-,-,-,-,-,TO.5,-,-,-	SNA
5	BH62-00016A	CIS	HEAT SINK-TR	A1050S,T1.0,-,DP17MO	SNA

7-1-2 LE15V* SN Video PCB Parts

Level	Loc. No.	Code No.	Description	Specification	Remarks
3	BH94-00977A	-	ASSY PCB VIDEO-SN	LE15VS	SNA
4	BH63-00131A	CIS1	SHIELD-VIDEO	LE17KS,SPT,TO.2	SNA
4	6502-000001	CIS10	CABLE CLAMP	DAWH-5NB,D15,L35,NYLON66,NTR	SNA
4	BH39-00412A	CIS11	LEAD CONNECTOR	AN17K*,8*0.16*16TA,160MM,35750-1010,YRT187L,BK	SA
4	BH39-00134A	CIS12	CBF-HARNESS	DT15LT,3*0.16TA,100MM,BLK,AWG18,35068-9822,EARTH CLIP,BK	SA
4	0204-001527	CIS3	FLUX	DF-201TVS,MIX,0.820,FLUX13%,14KG	SNA
4	0204-000442	CIS4	SOLVENT	1M-1000,C3H7OH,96,-	SNA
4	BH68-00001A	CIS40	LABEL-MARK CDT	ART-PAPER100G,-,WHT,BLK,-,ALL,CDT	SNA
4	BH61-70003A	CIS5	SPRING ETC	CVT4857,STS304-W1/2H,W3.8,-,L30,L30,-,TO.5,DEGRE,W3.8,STS304-W1/2H	SNA
4	3711-004236	CN101	CONNECTOR-HEADER	BOX,6P,1R,2MM,STRAIGHT,SN	SNA
4	BH39-00015A	CN102	CBF-HARNESS	13P/14P,200MM,WHT/BLK/RED/BLU,UL1007,AWG26,SMH200-13/YBNH200-14	SA
4	BH13-00050A	IC102	IC HYBRID	NT6813K-30031,NT6813K-30031,24P,-55 to +150,240mA,-0.5 to 6V,ST	SA
4	3704-001201	SK101	SOCKET-CRT	10P,22.5PI,22.5PI,NH+SN,-	SA
4	BH96-00284A	HS106	ASSY HEAT SINK P	BH62-00053A,SCREW,STV9588,OIL SILICON,BRKT-VIDEO	SNA
5	0205-001027	H/S	OIL-SILICON	G746,-,-	SNA
5	1201-002113	H/S	IC-VIDEO AMP	SAM9588,CLIPWATT,19P,19.85x10.7mm,-,-26,PLASTIC,110V,3W,0to+70C,-,-,-,-,-,ST	SA
5	6003-000333	H/S	SCREW-TAPTITE	RH,+2S,M3,L10,ZPC(YEL),SWRCH1	SNA
5	BH61-00048A	H/S	BRACKET-VIDEO	andromeda,SECC,0.8	SNA
5	BH62-00053A	H/S	HEAT SINK-PS	LEO,A1050S,1.0,112,25	SNA
4	BH97-00509A	-	ASSY AUTO-(VIDEO)SN	LE15VS	SNA
5	3301-001450	BD102	BEAD-AXIAL	45ohm,3.5x0.6x5.7mm,50mA,TP,,,	SNA
5	3301-001450	BD103	BEAD-AXIAL	45ohm,3.5x0.6x5.7mm,50mA,TP,,,	SNA
5	3301-001450	BD104	BEAD-AXIAL	45ohm,3.5x0.6x5.7mm,50mA,TP,,,	SNA
5	3301-001450	BD105	BEAD-AXIAL	45ohm,3.5x0.6x5.7mm,50mA,TP,,,	SNA
5	3301-000011	BD106	BEAD-AXIAL	,3.5x1.0x5.7mm,,BK,,,	SA
5	3301-001450	BD107	BEAD-AXIAL	45ohm,3.5x0.6x5.7mm,50mA,TP,,,	SNA
5	2301-000014	C101	C-FILM,LEAD-PEF	6.8nF,5%,100V,TP,5.8x12.5mm,5m	SA
5	2401-000025	C103	C-AL	100uF,20%,16V,GP,TP,6.3x11.5	SA
5	2401-000758	C104	C-AL	0.22UF,20%,50V,GP,TP,5X11.5	SA
5	2201-000370	C105	C-CERAMIC,DISC	0.22NF,10%,50V,Y5P,TP,4X3.5MM,5	SA
5	2201-000019	C106	C-CERAMIC,DISC	10nF,+80-20%,500V,Y5V,TP,13.5x4mm,5	SA
5	2401-002463	C111	C-AL	470uF,20%,16V,GP,TP,8x11.5.5	SA
5	2201-000119	C112	C-CERAMIC,DISC	100NF,+80-20%,50V,Y5V,TP,8X3MM,5	SA
5	2401-003036	C113	C-AL	100uF,20%,16V,GP,TP,5X11mm,5mm	SA
5	2201-000119	C114	C-CERAMIC,DISC	100NF,+80-20%,50V,Y5V,TP,8X3MM,5	SA
5	2401-003036	C115	C-AL	100uF,20%,16V,GP,TP,5X11mm,5mm	SA
5	2202-002009	C116	C-CERAMIC,MLC-AXIAL	100NF,+80-20%,50V,Y5V,TP,2.3X3.0MM,-	SA
5	2301-000383	C117	C-FILM,LEAD-PEF	10nF,5%,50V,TP,6x7x3.2mm,5mm	SA

Level	Loc. No.	Code No.	Description	Specification	Remarks
5	2202-002009	C118	C-CERAMIC,MLC-AXIAL	100NF,+80-20%,50V,Y5V,TP,2.3X3.0MM,-	SA
5	2401-003036	C119	C-AL	100uF,20%,16V,GP,TP,5X11mm,5mm	SA
5	2202-002009	C120	C-CERAMIC,MLC-AXIAL	100NF,+80-20%,50V,Y5V,TP,2.3X3.0MM,-	SA
5	2202-002009	C121	C-CERAMIC,MLC-AXIAL	100NF,+80-20%,50V,Y5V,TP,2.3X3.0MM,-	SA
5	2401-003036	C122	C-AL	100uF,20%,16V,GP,TP,5X11mm,5mm	SA
5	2301-000010	C123	C-FILM,LEAD-PEF	100nF,5%,100V,TP,11.5x12.5mm,5	SA
5	2401-001218	C124	C-AL	4.7uF,20%,100V,WT,TP,5x11.5	SA
5	2202-002009	C125	C-CERAMIC,MLC-AXIAL	100NF,+80-20%,50V,Y5V,TP,2.3X3.0MM,-	SA
5	2201-000019	C131	C-CERAMIC,DISC	10nF,+80-20%,500V,Y5V,TP,13.5x4mm,5	SA
5	2201-002110	C132	C-CERAMIC,DISC	1.8nF,10%,1kV,Y5P,TP,10x5mm,5	SA
5	2201-000288	C133	C-CERAMIC,DISC	1NF,10%,2KV,Y5P,TP,9X5MM,7.5	SA
5	2202-002009	CB01	C-CERAMIC,MLC-AXIAL	100NF,+80-20%,50V,Y5V,TP,2.3X3.0MM,-	SA
5	2301-000010	CB03	C-FILM,LEAD-PEF	100nF,5%,100V,TP,11.5x12.5mm,5	SA
5	2401-003911	CB04	C-AL	1uF,20%,160V,BP,TP,6.3x11mm,5	SA
5	2201-000247	CB05	C-CERAMIC,DISC	0.015NF,5%,50V,COG,TP,5X3MM,5	SA
5	2202-002009	CG01	C-CERAMIC,MLC-AXIAL	100NF,+80-20%,50V,Y5V,TP,2.3X3.0MM,-	SA
5	2301-000010	CG03	C-FILM,LEAD-PEF	100nF,5%,100V,TP,11.5x12.5mm,5	SA
5	2401-003911	CG04	C-AL	1uF,20%,160V,BP,TP,6.3x11mm,5	SA
5	2201-000247	CG05	C-CERAMIC,DISC	0.015NF,5%,50V,COG,TP,5X3MM,5	SA
5	0203-001199	CIS6	TAPE-KRAFT	#53110,T0.1,W6,L2000M,BRN	SNA
5	0203-001200	CIS7	TAPE-PAPER	#53128,T0.15,W5.5,L2000M,BEIGE	SNA
5	BH71-40300A	CN_G2	PIN-HINGE	BRASS,D2.361,HEAT/SINK,SN	SNA
5	BH71-40300A	CN_GND	PIN-HINGE	BRASS,D2.361,HEAT/SINK,SN	SNA
5	2202-002009	CR01	C-CERAMIC,MLC-AXIAL	100NF,+80-20%,50V,Y5V,TP,2.3X3.0MM,-	SA
5	2301-000010	CR03	C-FILM,LEAD-PEF	100nF,5%,100V,TP,11.5x12.5mm,5	SA
5	2401-003911	CR04	C-AL	1uF,20%,160V,BP,TP,6.3x11mm,5	SA
5	2201-000247	CR05	C-CERAMIC,DISC	0.015NF,5%,50V,COG,TP,5X3MM,5	SA
5	0401-000005	DB01	DIODE-SWITCHING	1N4148,75V,150MA,DO-35,TP	SA
5	0401-000005	DB02	DIODE-SWITCHING	1N4148,75V,150MA,DO-35,TP	SA
5	0401-000004	DB03	DIODE-SWITCHING	1SS244,220V,200MA,DO-34,TP	SA
5	0401-000004	DB04	DIODE-SWITCHING	1SS244,220V,200MA,DO-34,TP	SA
5	0401-000005	DB05	DIODE-SWITCHING	1N4148,75V,150MA,DO-35,TP	SA
5	0401-000005	DG01	DIODE-SWITCHING	1N4148,75V,150MA,DO-35,TP	SA
5	0401-000005	DG02	DIODE-SWITCHING	1N4148,75V,150MA,DO-35,TP	SA
5	0401-000004	DG03	DIODE-SWITCHING	1SS244,220V,200MA,DO-34,TP	SA
5	0401-000004	DG04	DIODE-SWITCHING	1SS244,220V,200MA,DO-34,TP	SA
5	0401-000005	DG05	DIODE-SWITCHING	1N4148,75V,150MA,DO-35,TP	SA
5	0401-000005	DR01	DIODE-SWITCHING	1N4148,75V,150MA,DO-35,TP	SA
5	0401-000005	DR02	DIODE-SWITCHING	1N4148,75V,150MA,DO-35,TP	SA
5	0401-000004	DR03	DIODE-SWITCHING	1SS244,220V,200MA,DO-34,TP	SA
5	0401-000004	DR04	DIODE-SWITCHING	1SS244,220V,200MA,DO-34,TP	SA
5	0401-000005	DR05	DIODE-SWITCHING	1N4148,75V,150MA,DO-35,TP	SA
5	6042-000001	EY1	EYELET	ID2.2,OD2.7,L3.1,NI+SN,BSP3-1/2H	SNA
5	6042-000001	EY2	EYELET	ID2.2,OD2.7,L3.1,NI+SN,BSP3-1/2H	SNA
5	6042-000002	EY3	EYELET	ID1.5,OD2.L2.8,NI+SN,BSP3-1/2H	SNA
5	6042-000002	EY4	EYELET	ID1.5,OD2.L2.8,NI+SN,BSP3-1/2H	SNA
5	6042-000002	EY5	EYELET	ID1.5,OD2.L2.8,NI+SN,BSP3-1/2H	SNA
5	BH39-40305U	JP5	CBF HARNESS	52MM,AWG22(0.6PI),--,AWG22(0.	SA
5	BH39-40305U	JP6	CBF HARNESS	52MM,AWG22(0.6PI),--,AWG22(0.	SA
5	BH39-40305U	JP7	CBF HARNESS	52MM,AWG22(0.6PI),--,AWG22(0.	SA
5	2701-000189	LB01	INDUCTOR-AXIAL	0.47uH,10%,2534	SA
5	2701-000189	LG01	INDUCTOR-AXIAL	0.47uH,10%,2534	SA
5	2701-000189	LR01	INDUCTOR-AXIAL	0.47uH,10%,2534	SA
5	BH41-00273A	MP1.0	PCB-VIDEO	LE15VS,FR1,1L,1.0,1.6T,123.5 * 82.3,VIDEO ASS,6,247*247	SNA
5	2001-000084	R101	R-CARBON	100Kohm,5%,1/4W,AA,TP,2.4x6.4mm	SA
5	2001-001192	R102	R-CARBON(S)	820OHM,5%,1/2W,AA,TP,2.4X6.4MM	SA
5	2001-000429	R103	R-CARBON	1KOHM,5%,1/8W,AA,TP,1.8X3.2MM	SA
5	2001-000660	R104	R-CARBON	33KOHM,5%,1/8W,AA,TP,1.8X3.2MM	SA
5	2001-000449	R105	R-CARBON	2.2KOHM,5%,1/8W,AA,TP,1.8X3.2MM	SA
5	2001-000429	R106	R-CARBON	1KOHM,5%,1/8W,AA,TP,1.8X3.2MM	SA
5	2001-000016	R107	R-CARBON(S)	1OHM,5%,1/2W,AA,TP,2.4X6.4MM	SA
5	2001-000435	R111	R-CARBON	1MOHM,5%,1/8W,AA,TP,1.8X3.2MM	SA

Level	Loc. No.	Code No.	Description	Specification	Remarks
5	2001-000812	R112	R-CARBON	5.6KOHM,5%,1/8W,AA,TP,1.8X3.2MM	SA
5	2001-000281	R113	R-CARBON	1000HM,5%,1/8W,AA,TP,1.8X3.2MM	SA
5	2001-000281	R114	R-CARBON	1000HM,5%,1/8W,AA,TP,1.8X3.2MM	SA
5	2001-000290	R115	R-CARBON	10KOHM,5%,1/8W,AA,TP,1.8X3.2MM	SA
5	2001-000290	R116	R-CARBON	10KOHM,5%,1/8W,AA,TP,1.8X3.2MM	SA
5	2001-000290	R121	R-CARBON	10KOHM,5%,1/8W,AA,TP,1.8X3.2MM	SA
5	2003-000419	R122	R-METAL OXIDE(S)	1.2ohm,5%,1W,AA,TP,3.3x9mm	SA
5	2001-001148	R131	R-CARBON(S)	4300HM,5%,1/2W,AA,TP,2.4X6.4MM	SA
5	2001-000037	R132	R-CARBON(S)	3300HM,5%,1/2W,AA,TP,2.4X6.4MM	SA
5	2001-000969	RB01	R-CARBON	750HM,5%,1/8W,AA,TP,1.8X3.2MM	SA
5	2001-000376	RB02	R-CARBON	150HM,5%,1/8W,AA,TP,1.8X3.2MM	SA
5	2001-000780	RB03	R-CARBON	4700HM,5%,1/8W,AA,TP,1.8X3.2MM	SA
5	2001-000376	RB04	R-CARBON	150HM,5%,1/8W,AA,TP,1.8X3.2MM	SA
5	2001-000028	RB06	R-CARBON(S)	1000HM,5%,1/2W,AA,TP,2.4X6.4MM	SA
5	2001-001161	RB07	R-CARBON(S)	560KOHM,5%,1/2W,AA,TP,2.4X6.4MM	SA
5	2001-000028	RB08	R-CARBON(S)	1000HM,5%,1/2W,AA,TP,2.4X6.4MM	SA
5	2001-000734	RB09	R-CARBON	4.7KOHM,5%,1/8W,AA,TP,1.8X3.2MM	SA
5	2001-000969	RG01	R-CARBON	750HM,5%,1/8W,AA,TP,1.8X3.2MM	SA
5	2001-000376	RG02	R-CARBON	150HM,5%,1/8W,AA,TP,1.8X3.2MM	SA
5	2001-000780	RG03	R-CARBON	4700HM,5%,1/8W,AA,TP,1.8X3.2MM	SA
5	2001-000376	RG04	R-CARBON	150HM,5%,1/8W,AA,TP,1.8X3.2MM	SA
5	2001-000028	RG06	R-CARBON(S)	1000HM,5%,1/2W,AA,TP,2.4X6.4MM	SA
5	2001-001161	RG07	R-CARBON(S)	560KOHM,5%,1/2W,AA,TP,2.4X6.4MM	SA
5	2001-000028	RG08	R-CARBON(S)	1000HM,5%,1/2W,AA,TP,2.4X6.4MM	SA
5	2001-000734	RG09	R-CARBON	4.7KOHM,5%,1/8W,AA,TP,1.8X3.2MM	SA
5	2001-000969	RR01	R-CARBON	750HM,5%,1/8W,AA,TP,1.8X3.2MM	SA
5	2001-000376	RR02	R-CARBON	150HM,5%,1/8W,AA,TP,1.8X3.2MM	SA
5	2001-000780	RR03	R-CARBON	4700HM,5%,1/8W,AA,TP,1.8X3.2MM	SA
5	2001-000376	RR04	R-CARBON	150HM,5%,1/8W,AA,TP,1.8X3.2MM	SA
5	2001-000028	RR06	R-CARBON(S)	1000HM,5%,1/2W,AA,TP,2.4X6.4MM	SA
5	2001-001161	RR07	R-CARBON(S)	560KOHM,5%,1/2W,AA,TP,2.4X6.4MM	SA
5	2001-000028	RR08	R-CARBON(S)	1000HM,5%,1/2W,AA,TP,2.4X6.4MM	SA
5	2001-000734	RR09	R-CARBON	4.7KOHM,5%,1/8W,AA,TP,1.8X3.2MM	SA
5	1405-001064	SK104	SURGE ABSORBER	400V,20%,-,-,AXIAL	SA
5	4715-001065	SK105	SURGE ABSORBER	200V,20%,-,-,RADIAL	SNA
5	4715-001055	SK108	SURGE ABSORBER	1kV,+50-10%,-,-,RADIAL	SNA
5	4715-001065	SKB01	SURGE ABSORBER	200V,20%,-,-,RADIAL	SNA
5	4715-000102	SKG01	SURGE ABSORBER	200V,20%,1000A,-,RADIAL	SNA
5	4715-000102	SKR01	SURGE ABSORBER	200V,20%,1000A,-,RADIAL	SNA
5	0403-000361	ZD102	DIODE-ZENER	UZ6.2BSB,5.96-6.27V,500MW,DO-34,TP	SA
5	0403-000361	ZD103	DIODE-ZENER	UZ6.2BSB,5.96-6.27V,500MW,DO-34,TP	SA
5	0403-000509	ZD105	DIODE-ZENER	MTZJ5.6B,5.4-5.7V,500MW,DO-34,TP	SA
5	0403-000361	ZD106	DIODE-ZENER	UZ6.2BSB,5.96-6.27V,500MW,DO-34,TP	SA

7-1-3 LE15V* SZ Video PCB Parts

Level	Loc. No.	Code No.	Description	Specification	Remarks
2	BH94-00997E	-	ASSY PCB VIDEO-SZ	LE15VS	SNA
3	0202-001362	CIS1	SOLDER-WIRE	-.S63S,D3,63Sn/37Pb,-	SNA
3	6502-000001	CIS10	CABLE CLAMP	DAWH-5NB,D15,L35,NYLON66,NTR	SNA
3	0202-001366	CIS2	SOLDER-WIRE FLUX	-.RS60S,D1.2,63Sn/37Pb,-	SNA
3	0204-002420	CIS3	SOLVENT	1M-1000,C3H7OH,96,-,-	SNA
3	0204-002426	CIS4	FLUX	DF-201TVS,MIX,0.820,FLUX 13%, 14KG,-	SNA
3	BH63-00131A	CIS7	SHIELD-VIDEO	LE17KS,SPTTE,TO.2	SNA
3	BH68-00001A	CIS8	LABEL-MARK CDT	ART-PAPER 100G,-,WHT,BLK,-,ALL,CDT	SNA
3	3711-004236	CN101	CONNECTOR-HEADER	BOX,6P,1R,2MM,STRAIGHT,SN	SNA
3	BH39-00015A	CN102	CBF-HARNESS	13P/14P,200MM,WHT/BLK/RED/BLU,UL1007,AWG26,SMH200-13/YBNH200-14	SA
3	BH13-00053A	IC102	IC HYBRID-AMP/OSD	LM1236DEM,LE15V,24P,0 to +70,Plastic,200mA,4.75V to 5.25V,STICK	SNA
3	BH13-00022A	IC104	IC HYBRID-BIAS CLAMP	LM2480NA,PN15H/17L,8P,0to+70C,DIP,3mA,85V,ST	SA
3	6003-001023	SH/VID+H/S	SCREW-TAPTITE	PWH,+B,M3,L10,ZPC(YEL),SWRCH18A,-	SNA
3	3704-001201	SK101	SOCKET-CRT	10P,22.5PI,22.5PI,NI+SN,-	SNA
3	BH96-00284B	HS106	ASSY HEAT SINK P	BH62-00053A,SCREW,LM2470TA,OIL SILICON,BRACKET-IC	SNA
4	0205-001154	H/S	OIL-SILICON	G746,-,-	SNA
4	1201-002155	H/S	IC-VIDEO AMP	LM2470TA,TO-220,9P,-,-,-,PLASTIC,90V,4.3W,-20to+100C,-,-,-,-,ST	SNA
4	6003-000334	H/S	SCREW-TAPTITE	RH,+ZS,M3,L6,ZPC(YEL),SWRCH18	SA
4	BH62-00053A	H/S	HEAT SINK-VIDEO	LEO,A1050S,1.0,112,25	SNA
3	BH97-00521Z	-	ASSY AUTO-VIDEO-AUTO	LE15VS	SNA
4	3301-001450	BD101	BEAD-AXIAL	45ohm,3.5x0.6x5.7mm,50mA,TP,,,	SNA
4	3301-001450	BD102	BEAD-AXIAL	45ohm,3.5x0.6x5.7mm,50mA,TP,,,	SNA
4	3301-001450	BD104	BEAD-AXIAL	45ohm,3.5x0.6x5.7mm,50mA,TP,,,	SNA
4	2301-000010	C101	C-FILM,LEAD-PEF	100nF,5%,100V,TP,11.5x12.5mm,5	SA
4	2401-002463	C103	C-AL	470uF,20%,16V,GP,TP,8x11.5,5	SA
4	2401-001340	C104	C-AL	0.47UF,20%,50V,WT,TP,5X11,5	SA
4	2201-000019	C106	C-CERAMIC,DISC	10nF,+80-20%,500V,Y5V,TP,13.5x4mm,5	SA
4	2401-000287	C111	C-AL	100uF,20%,16V,WT,TP,6.3x11,5	SA
4	2202-002009	C112	C-CERAMIC,MLC-AXIAL	100NF,+80-20%,50V,Y5V,TP,2.3X3.0MM,-	SA
4	2201-000119	C114	C-CERAMIC,DISC	100NF,+80-20%,50V,Y5V,TP,8X3MM,5	SA
4	2305-000178	C117	C-FILM,LEAD-PEF	10nF,5%,100V,TP,-,5mm	SA
4	2202-000121	C118	C-CERAMIC,MLC-AXIAL	100pF,10%,50V,Y5P,TP,1.9x3.5,-	SA
4	2301-000188	C119	C-FILM,LEAD-PEF	1nF,5%,100V,TP,10.5x12.5x6.5,5	SA
4	2202-000121	C120	C-CERAMIC,MLC-AXIAL	100pF,10%,50V,Y5P,TP,1.9x3.5,-	SA
4	2401-000287	C121	C-AL	100uF,20%,16V,WT,TP,6.3x11,5	SA
4	2202-002009	C122	C-CERAMIC,MLC-AXIAL	100NF,+80-20%,50V,Y5V,TP,2.3X3.0MM,-	SA
4	2301-000010	C123	C-FILM,LEAD-PEF	100nF,5%,100V,TP,11.5x12.5mm,5	SA
4	2401-000049	C124	C-AL	47uF,20%,100V,WT,TP,10x16,5	SA
4	2201-000119	C126	C-CERAMIC,DISC	100NF,+80-20%,50V,Y5V,TP,8X3MM,5	SA
4	2201-000019	C131	C-CERAMIC,DISC	10nF,+80-20%,500V,Y5V,TP,13.5x4mm,5	SA
4	2201-002110	C132	C-CERAMIC,DISC	1.8nF,10%,1kV,Y5P,TP,10x5mm,5	SA
4	2201-000288	C133	C-CERAMIC,DISC	1NF,10%,2KV,Y5P,TP,9X5MM,7.5	SA
4	2202-002009	CB01	C-CERAMIC,MLC-AXIAL	100NF,+80-20%,50V,Y5V,TP,2.3X3.0MM,-	SA
4	2202-002009	CB02	C-CERAMIC,MLC-AXIAL	100NF,+80-20%,50V,Y5V,TP,2.3X3.0MM,-	SA
4	2301-000010	CB03	C-FILM,LEAD-PEF	100nF,5%,100V,TP,11.5x12.5mm,5	SA
4	2401-003911	CB04	C-AL	1uF,20%,160V,BP,TP,6.3x11mm,5	SA
4	2202-000162	CB05	C-CERAMIC,MLC-AXIAL	0.015NF,5%,50V,SL,TP,3.5X1.9MM,-	SA
4	2202-002009	CG01	C-CERAMIC,MLC-AXIAL	100NF,+80-20%,50V,Y5V,TP,2.3X3.0MM,-	SA
4	2202-002009	CG02	C-CERAMIC,MLC-AXIAL	100NF,+80-20%,50V,Y5V,TP,2.3X3.0MM,-	SA
4	2301-000010	CG03	C-FILM,LEAD-PEF	100nF,5%,100V,TP,11.5x12.5mm,5	SA
4	2401-003911	CG04	C-AL	1uF,20%,160V,BP,TP,6.3x11mm,5	SA
4	2202-000162	CG05	C-CERAMIC,MLC-AXIAL	0.015NF,5%,50V,SL,TP,3.5X1.9MM,-	SA
4	0203-001599	CIS5	TAPE-KRAFT	#53110,0.1,6,2000M,BRN	SNA
4	0203-001600	CIS6	TAPE-PAPER	#53128,0.15,5.5,2000M,BEIGE	SNA

Level	Loc. No.	Code No.	Description	Specification	Remarks
4	BH71-40300A	CN_G2	PIN-HINGE	BRASS,D2.36!,HEAT/SINK,SN	SNA
4	BH71-40300A	CN_GND1	PIN-HINGE	BRASS,D2.36!,HEAT/SINK,SN	SNA
4	2202-002009	CR01	C-CERAMIC,MLC-AXIAL	100NF,+80-20%,50V,Y5V,TP,2.3X3.0MM,-	SA
4	2202-002009	CR02	C-CERAMIC,MLC-AXIAL	100NF,+80-20%,50V,Y5V,TP,2.3X3.0MM,-	SA
4	2301-000010	CR03	C-FILM,LEAD-PEF	100nF,5%,100V,TP,11.5x12.5mm,5	SA
4	2401-003911	CR04	C-AL	1uF,20%,160V,BP,TP,6.3x11mm,5	SA
4	2202-000162	CR05	C-CERAMIC,MLC-AXIAL	0.015NF,5%,50V,SL,TP,3.5X1.9MM,-	SA
4	0401-000005	DB01	DIODE-SWITCHING	1N4148,75V,150MA,DO-35,TP	SA
4	0401-000005	DB02	DIODE-SWITCHING	1N4148,75V,150MA,DO-35,TP	SA
4	0401-000004	DB03	DIODE-SWITCHING	1SS244,220V,200MA,DO-34,TP	SA
4	0401-000004	DB04	DIODE-SWITCHING	1SS244,220V,200MA,DO-34,TP	SA
4	0401-000004	DB05	DIODE-SWITCHING	1SS244,220V,200MA,DO-34,TP	SA
4	0401-000005	DG01	DIODE-SWITCHING	1N4148,75V,150MA,DO-35,TP	SA
4	0401-000005	DG02	DIODE-SWITCHING	1N4148,75V,150MA,DO-35,TP	SA
4	0401-000004	DG03	DIODE-SWITCHING	1SS244,220V,200MA,DO-34,TP	SA
4	0401-000004	DG04	DIODE-SWITCHING	1SS244,220V,200MA,DO-34,TP	SA
4	0401-000004	DG05	DIODE-SWITCHING	1SS244,220V,200MA,DO-34,TP	SA
4	0401-000005	DR01	DIODE-SWITCHING	1N4148,75V,150MA,DO-35,TP	SA
4	0401-000005	DR02	DIODE-SWITCHING	1N4148,75V,150MA,DO-35,TP	SA
4	0401-000004	DR03	DIODE-SWITCHING	1SS244,220V,200MA,DO-34,TP	SA
4	0401-000004	DR04	DIODE-SWITCHING	1SS244,220V,200MA,DO-34,TP	SA
4	0401-000004	DR05	DIODE-SWITCHING	1SS244,220V,200MA,DO-34,TP	SA
4	6042-000002	EY3	EYELET	ID1.5,OD2,L2.8,NI+SN,BSP3-1/2H	SNA
4	6042-000002	EY5	EYELET	ID1.5,OD2,L2.8,NI+SN,BSP3-1/2H	SNA
4	6042-000002	EY7	EYELET	ID1.5,OD2,L2.8,NI+SN,BSP3-1/2H	SNA
4	BH39-40305U	JP_15	CBF HARNESS	52MM,AWG22(0.6PI),-,-,AWG22(0.	SA
4	BH39-40305U	JP103	CBF HARNESS	52MM,AWG22(0.6PI),-,-,AWG22(0.	SA
4	BH39-40305U	JP106	CBF HARNESS	52MM,AWG22(0.6PI),-,-,AWG22(0.	SA
4	BH39-40305U	JP107	CBF HARNESS	52MM,AWG22(0.6PI),-,-,AWG22(0.	SA
4	BH39-40305U	JP108	CBF HARNESS	52MM,AWG22(0.6PI),-,-,AWG22(0.	SA
4	BH39-40305U	JP109	CBF HARNESS	52MM,AWG22(0.6PI),-,-,AWG22(0.	SA
4	BH39-40305U	JP110	CBF HARNESS	52MM,AWG22(0.6PI),-,-,AWG22(0.	SA
4	BH39-40305U	JP114	CBF HARNESS	52MM,AWG22(0.6PI),-,-,AWG22(0.	SA
4	BH39-40305U	JP115	CBF HARNESS	52MM,AWG22(0.6PI),-,-,AWG22(0.	SA
4	2701-001078	LB01	INDUCTOR-AXIAL	680NH,10%,2534	SA
4	2701-001078	LG01	INDUCTOR-AXIAL	680NH,10%,2534	SA
4	2701-001078	LR01	INDUCTOR-AXIAL	680NH,10%,2534	SA
4	BH41-00273A	MP1.0	PCB-VIDEO	LE15VS,FR1,1L,1.0,1.6T,123.5 * 82.3,VIDEO ASS,6,247*247	SNA
4	2001-000800	R102	R-CARBON	5.1KOHM,5%,1/8W,AA,TP,1.8X3.2MM	SA
4	2001-000429	R103	R-CARBON	1KOHM,5%,1/8W,AA,TP,1.8X3.2MM	SA
4	2001-000660	R105	R-CARBON	33KOHM,5%,1/8W,AA,TP,1.8X3.2MM	SA
4	2001-000429	R106	R-CARBON	1KOHM,5%,1/8W,AA,TP,1.8X3.2MM	SA
4	2001-000016	R107	R-CARBON(S)	10HM,5%,1/2W,AA,TP,2.4X6.4MM	SA
4	2001-000780	R108	R-CARBON	4700HM,5%,1/8W,AA,TP,1.8X3.2MM	SA
4	2001-000290	R111	R-CARBON	10KOHM,5%,1/8W,AA,TP,1.8X3.2MM	SA
4	2001-000878	R112	R-CARBON	6.2KOHM,5%,1/8W,AA,TP,1.8X3.2MM	SA
4	2001-000429	R113	R-CARBON	1KOHM,5%,1/8W,AA,TP,1.8X3.2MM	SA
4	2001-000429	R114	R-CARBON	1KOHM,5%,1/8W,AA,TP,1.8X3.2MM	SA
4	2001-001138	R131	R-CARBON(S)	3900HM,5%,1/2W,AA,TP,2.4X6.4MM	SA
4	2001-000037	R132	R-CARBON(S)	3300HM,5%,1/2W,AA,TP,2.4X6.4MM	SA
4	2001-000009	R134	R-CARBON	20KOHM,5%,1/8W,AA,TP,1.8X3.2MM	SA
4	2001-000084	R135	R-CARBON	100Kohm,5%,1/4W,AA,TP,2.4x6.4mm	SA
4	2001-000969	RB01	R-CARBON	750HM,5%,1/8W,AA,TP,1.8X3.2MM	SA
4	2001-000969	RB02	R-CARBON	750HM,5%,1/8W,AA,TP,1.8X3.2MM	SA
4	2001-000429	RB03	R-CARBON	1KOHM,5%,1/8W,AA,TP,1.8X3.2MM	SA
4	2001-000028	RB05	R-CARBON(S)	1000HM,5%,1/2W,AA,TP,2.4X6.4MM	SA

Level	Loc. No.	Code No.	Description	Specification	Remarks
4	2001-000429	RB06	R-CARBON	1KOHM,5%,1/8W,AA,TP,1.8X3.2MM	SA
4	2001-001129	RB07	R-CARBON(S)	330KOHM,5%,1/2W,AA,TP,2.4X6.4MM	SA
4	2001-000376	RB08	R-CARBON	150HM,5%,1/8W,AA,TP,1.8X3.2MM	SA
4	2001-000028	RB09	R-CARBON(S)	1000HM,5%,1/2W,AA,TP,2.4X6.4MM	SA
4	2001-000969	RG01	R-CARBON	750HM,5%,1/8W,AA,TP,1.8X3.2MM	SA
4	2001-000969	RG02	R-CARBON	750HM,5%,1/8W,AA,TP,1.8X3.2MM	SA
4	2001-000429	RG03	R-CARBON	1KOHM,5%,1/8W,AA,TP,1.8X3.2MM	SA
4	2001-000028	RG05	R-CARBON(S)	1000HM,5%,1/2W,AA,TP,2.4X6.4MM	SA
4	2001-000429	RG06	R-CARBON	1KOHM,5%,1/8W,AA,TP,1.8X3.2MM	SA
4	2001-001129	RG07	R-CARBON(S)	330KOHM,5%,1/2W,AA,TP,2.4X6.4MM	SA
4	2001-000376	RG08	R-CARBON	150HM,5%,1/8W,AA,TP,1.8X3.2MM	SA
4	2001-000028	RG09	R-CARBON(S)	1000HM,5%,1/2W,AA,TP,2.4X6.4MM	SA
4	2001-000969	RR01	R-CARBON	750HM,5%,1/8W,AA,TP,1.8X3.2MM	SA
4	2001-000969	RR02	R-CARBON	750HM,5%,1/8W,AA,TP,1.8X3.2MM	SA
4	2001-000429	RR03	R-CARBON	1KOHM,5%,1/8W,AA,TP,1.8X3.2MM	SA
4	2001-000028	RR05	R-CARBON(S)	1000HM,5%,1/2W,AA,TP,2.4X6.4MM	SA
4	2001-000429	RR06	R-CARBON	1KOHM,5%,1/8W,AA,TP,1.8X3.2MM	SA
4	2001-001129	RR07	R-CARBON(S)	330KOHM,5%,1/2W,AA,TP,2.4X6.4MM	SA
4	2001-000376	RR08	R-CARBON	150HM,5%,1/8W,AA,TP,1.8X3.2MM	SA
4	2001-000028	RR09	R-CARBON(S)	1000HM,5%,1/2W,AA,TP,2.4X6.4MM	SA
4	4715-001076	SK104	SURGE ABSORBER	400V,20%,-, -,RADIAL	SNA
4	4715-001055	SK108	SURGE ABSORBER	1kV,+50-10%,-, -,RADIAL	SNA
4	4715-001065	SKB01	SURGE ABSORBER	200V,20%,-, -,RADIAL	SNA
4	4715-000102	SKG01	SURGE ABSORBER	200V,20%,1000A,-,RADIAL	SA
4	4715-001065	SKR01	SURGE ABSORBER	200V,20%,-, -,RADIAL	SNA

7-1-4 LE15V* Others

Level	Loc. No.	Code No.	Description	Specification	Remarks
2	BH90-00587A	-	ASSY COVER REAR	LE15VS,EDC	SNA
3	BH63-00123A	C/R	COVER-REAR	LE15VS,ABS V0,IV16	SNA
2	BH90-00598A	-	ASSY STAND	LE17JS/LE15VS,EDC	SNA
3	BH96-00272A	STD	ASSY STAND P	LE17KS,ABS HB IV16	SNA
4	6902-000109	STD	BAG PE	HDPE,T0.015,L430,W350,TRP,28,2,PE MARK	SNA
4	BH60-00030A	STD	FASTENER-BAND	PN17LT,ST+PVC,PO.4,-,150,YELLOW,-,,-	SNA
4	BH61-00049A	STD	STAND-BASE	LE17KS,ABS HB,IV16	SNA
4	BH61-00050A	STD	STAND-TOP	LE17KS,ABS HB,IV16	SNA
4	BH61-40002A	STD	FOOT-RUBBER	-,NR,PMS428U,GA4237,-,,-	SNA
4	BH63-30103A	STD	FELT-STAND	MCM1755,FELT,T1.0,W10,L4	SNA
4	BH68-20366A	STD	LABEL-MARK STAND	,ART PAPER100(S),WHT	SNA
4	BH68-70306A	STD	CARD-STAND	CVM4967PWS(SKD),WONSTROW,CHAIN	SNA
2	BH90-00654A	-	ASSY COVER FRONT	LE15VS,EDC	SNA
3	6003-000009	C/F+C/R	SCREW-TAPTITE	BH,+B,M4,L16,ZPC(YEL),SWRCH18	SNA
3	6006-001119	C/F+CDT	SCREW-ASS'Y TAPT	WC,BH,+M5,L25,ZPC(YEL),SWRCH18A	SNA
3	BH96-00270A	C/F	ASSY COVER P-FRONT	LE15VS,ABS V0 IV16	SNA

7 Electrical Parts List

Level	Loc. No.	Code No.	Description	Specification	Remarks
4	6003-001023	C/F	SCREW-TAPTITE	RWH,+B,M3,L10,ZPC(YEL),SWRCH1	SNA
4	BH63-00122A	C/F	COVER-FRONT	LE15VS,ABS V0,IV16	SNA
4	BH64-00151A	C/F	KNOB-FUNCTION	LE17KS,ABS,HB,IV16	SNA
4	BH67-00045A	C/F	LENS-LED	LE17KS,ACRYL,CLEAR,SYNCMASER	SNA
4	BH72-00298A	C/F	GUIDE-CDT	,ABS,IV16,PN17LT,HB	SNA
4	BH96-00287A	C/F	ASSY BOARD P-FUNCTION	LE19IS,FUNTION	SNA
2	BH91-00843R	-	ASSY CDT-SN	LE15VS	SNA
3	0201-001576	CDT	ADHESIVE-RBR	DC-3140_RTV#0414,TRP,-,-	SNA
3	0203-000005	CDT	TAPE-ACETATE	SGT730,T0.26,W19,L3000,BLK	SNA
3	3302-000006	CDT	MAGNET-RUBBER	AF,14G,1620-1980G,0.58-0.9MGOe	SA
3	3309-000002	CDT	MAGNET-SHEET	5x20x80mm,UL94V-0.2	SA
3	6502-001019	CDT	CABLE CLAMP	DAMC-10,ID9.9,T7.1,NYLON6.6,GRAY	SNA
3	BH03-10014A	CDT	CDT-SN	M36KUM35X02,-,15,0.28,-,MS-GUN,-,-,-,-,VLME,4	SA
3	BH68-30003C	CDT	LABEL-00,HIGH,VOLTAGE	SS,ART100G,30*33,YEL	SNA
3	BH96-00291A	CDT	ASSY D-COIL P	15INCH,BH27-00149A,BH96-00286A	SNA
2	BH91-00945A	-	ASSY CHASSIS-SN	LE15VS	SA
2	BH92-01073A	-	ASSY P/MATERIAL	LE15VS	SNA
3	0203-001100	P/M	TAPE-OPP MASKING	OPP/W75/CLR,T0.05,W75,L800000,CLR	SNA
3	0203-001159	P/M	TAPE-FILAMENT	#8915,T0.15,W12,L55000,CLR	SNA
3	6902-000001	P/M	BAG AIR	LDPE,T0.2,L1800,W1000,TRP,,,LDPE ONLY	SNA
3	6902-000379	P/M	BAG AIR	HDPE,T0.2,L1800,W1000,TRP,,,PAPER	SNA
3	6902-000523	P/M	BAG PE	HDPE,T0.015,W900,L800,TRP,28 LANGUAGE,2-	SNA
3	6902-000576	P/M	BAG ROLL	LDPE,T0.05,W2400,L1000,TRP,-,-	SNA
3	BH69-00560A	P/M	CUSHION	CUSHION,EPS M50	SNA
3	BH69-40380A	P/M	PACKING-PAD	DW-2,500X2200X200,-,CGK5527	SNA
2	BH92-01092A	-	ASSY BOX	LE15VS,EDC	SNA
3	BH68-00329A	BOX	LABEL BAR CODE-02	ALL,MPRII,DOM,EXPORT,MOJO 90G,WHT	SNA
3	BH69-00571A	BOX	BOX	S/M591S(LE15VS) W/W,CB-SW4,YEL,A-1,W427*D452*H352	SNA
2	BH92-01093A	-	ASSY LABEL	LEO-PJT(15/17/19)	SAN
3	BH68-00565D	LABEL	LABEL RATING-00	ALL,SS,PE,T0.05,90*65,BLK,POLYESTER,EDC	SNA
2	BH92-01147A	-	ASSY ACCESSORY	LE15VS/17LS/17KS/17J	SNA
3	BH96-00297A	UNIT/ACCESSORY	ASSY ACCESSORY	LEO	-
4	0203-000214	ACCESSORY	TAPE-OPP MASKING	OPP/W50/CLR,T0.05,W50,L400000,	SNA
4	6902-000110	ACCESSORY	BAG PE	LDPE,T0.05,L356,W240,TRP,28,2,PE MARK	SNA
4	BH39-10339H	ACCESSORY	CBF POWER CORD	DET,H05VV-F,250V/10,16A,BLK,25	SA
4	BH68-70418A	ACCESSORY	CARD-EU BLOC WARR-07	SyncMaster,BASIC,EU,MOJO,100G,	SNA
4	BH96-00296A	ACCESSORY	ASSY MANUAL P-IB+QSG	795DF,SyncMaster,W/W,27Lang,BH59-362A+BH68-376J	-
5	BH59-00362A	I/B	S/W DRIVER-00,IB	793S,795DF,W/W,SYNCMASER,27LANG	SNA
5	BH68-00376J	QUICK	MANUAL-01	AN_QUICK SETUP GUIDE,SYNCMASER,E/F/S/G/P/L.14LANGS,W/W,MOJO100G,298,420	SNA

7-2-1 LE17LS(LE17LT) Main PCB Parts

Level	Loc. No.	Code No.	Description	Specification	Remarks
0	LE17LS7B/EDC				
1	SC-LE17LS7B/EDC	-	1	SDI,HIGH-CON	-
3	BH94-00989A	-	ASSY PCB MAIN-SX	LEO	SNA
4	2301-001125	C451	C-FILM,LEAD-PPF	600nF,5%,250V,TP,26x20x11.5,20	SA
4	2306-000147	C503	C-FILM,LEAD-PPF	1uF,5%,250V,BK,26x24x15,22.5mm	SA
4	2301-001195	C601	C-FILM,LEAD-PPF	150nF,10%,275VAC,BK,26x16.5x7,	SA
4	2301-001195	C602	C-FILM,LEAD-PPF	150nF,10%,275VAC,BK,26x16.5x7,	SA
4	2401-003391	C605	C-AL	220uF,20%,450V,GP,BK,25x50,10	SA
4	BH63-00134A	CIS1	SHIELD-BOTTOM	LE17KS,SECC,T1.0	SNA
4	BH39-00323D	CIS10	LEAD CONNECTOR-ASSY	OT17L0,8.0*0.16TA*16,150MM,35068-9822,35750-1010,BK,8.0*0.16TA*16	SA
4	BH39-00323D	CIS11	LEAD CONNECTOR-ASSY	OT17L0,8.0*0.16TA*16,150MM,35068-9822,35750-1010,BK,8.0*0.16TA*16	SA
4	BH63-00143A	CIS3	COVER-PCB R	LE17KS,ABS PC,IV16	SNA
4	BH63-00144A	CIS4	COVER-PCB L	LE17KS,ABS PC,IV16	SNA
4	BH68-00001A	CIS40	LABEL-MARK CDT	ART-PAPER100G,-,WHT,BLK,-,ALL,CDT	SNA
4	0204-001527	CIS6	FLUX	DF-201TVS,MIX,0.820,FLUX13%,14KG	SNA
4	0204-000442	CIS7	SOLVENT	1M-1000,C3H7OH,96,-	SNA
4	3711-003895	CN201	CONNECTOR-HEADER	BOX,13P,1R,2mm,STRAIGHT,SN	SA
4	3711-003873	CN202	CONNECTOR-HEADER	BOX,7P,1R,2mm,STRAIGHT,SN	SA
4	3711-004379	CN203	CONNECTOR-HEADER	BOX,4P,1R,2MM,STRAIGHT,SN	SA
4	3711-005055	CN401	CONNECTOR-HEADER	1WALL,4P,1R,10MM/8.0MM,STRAIGHT,SN-PB,WHT	SA
4	3721-001053	CN601	PLUG-AC POWER	3P,-,-,NI	SNA
4	0402-001295	D405	DIODE-RECTIFIER	GUR460L-5700,600V,4A,DO-201AD,BK	SA
4	0402-001025	D406	DIODE-RECTIFIER	ERD07-15,1.5KV,1.5A,-,TP	SA
4	0402-001407	D601	DIODE-BRIDGE	G2SB60,600V,1.5A,SIP-4,BK	SA
4	0402-000005	D625	DIODE-RECTIFIER	31DF4,400V,3A,DO-201AD,BK	SA
4	6003-000122	FBT+H/S	SCREW-TAPTITE	BH,+ ,B,M4,L12,ZPC(YEL),SWRCH18	SNA
4	3601-001302	FH1	FUSE-AXIAL LEAD	250V,3.15A,SLOW-BLOW,CERAMIC,5X20MM	SA
4	BH63-00124A	HS401	SHIELD-IC	LE17KS,SPT,TO.2	SNA
4	6502-000001	HS490_CIS1	CABLE CLAMP	DAWH-5NB,D15,L35,NYLON66,NTR	SNA
4	6502-000001	HS490_CIS2	CABLE CLAMP	DAWH-5NB,D15,L35,NYLON66,NTR	SNA
4	3704-001071	IC201_SOCKET	SOCKET-IC	42P,DIP,SN,1.778mm	△ SA
4	1204-002259	IC401	IC-DEF. PROCESSOR	STV9118,SDIP,32P,27.94x8.89mm,PLASTIC,13.2V,-,0to+70C,ST,IC-DEF. PROCESSOR	△ SA SNA
4	1203-003240	IC621	IC-POSI.FIXED REG.	L78M05,IPAK,3P,6.5x6.1mm,PLASTIC,4.75/5.25V,-,0to+150C,0.5A,-,ST	SA
4	1203-000243	IC622	IC-POSI.FIXED REG.	7812,TO-220,3P,-,PLASTIC,11.5/12.5V,-,16W,0to+125C,1A,-,ST	SA
4	BH27-00135A	L411	COIL CHOKE	120UH,CDTMO,120UH,10%,0.230HM,5A,AR8X25,65.5TS,18X40MM,11MM,USTCO.12X20,TR,-10CT	SA
4	BH27-00139A	L441	COIL LINEARITY	6.4UH,6.4UH,DR1215 C:4.5,7.0MM,13.8X14.5X46MM,12X8T,25TS,BK,12%,0.040HM,USTCO.12	SA
4	BH27-00134A	L501	COIL CHOKE	100UH,CDTMO,100UH,10%,0.20HM,5.0A,AR8X25,60.5TS,18X40MM,11MM,USTCO.12X20,TR,-10C	SA
4	BH27-00007A	L601	COIL-LINE FILTER	SQE2424,25mH MIN,-,SQE 2424,-,PHENAL,-,-,0.32ohm,21*27*33,-,-,BULK	SA
4	6003-001023	M/PCB+SH/BTM	SCREW-TAPTITE	RWH,+ ,B,M3,L10,ZPC(YEL),SWRCH1	SNA
4	0505-001309	Q452	FET-SILICON	IRF630,N,200V,10A,0.40HM,100W,TO-220	SA
4	0505-001309	Q453	FET-SILICON	IRF630,N,200V,10A,0.40HM,100W,TO-220	SA
4	3501-001111	RL601	RELAY-POWER	12VDC,250MW,5000MA,1FORMA,15MS,5MS	SA
4	6003-000133	SH/BTM+AC/SOCK	SCREW-TAPTITE	BH,+ ,S,M4,L8,ZPC(YEL),SWRCH18A,-	SNA
4	BH39-00451A	SIGNAL	CBF SIGNAL	LE17JS,15P/06P,07P,20276-N,1830mm,UL20276,BLACK,D-SUB /MALE,BLACK,30V,ATT. TYPE	SNA
4	BH26-00027A	T401	TRANS-HOR.DRIVE	FQB-17A001,PL-3,EI1916,310UH	△ SA
4	BH26-00171A	T501	TRANS FBT	CF2166,LE17JS,1.50mH,FERRITE,0.320HM,BULK,14P,-,10--+60,26.3kV	△ SNA
4	BH26-00114A	T561	TRANS-FOUCS	EE-1916,PN17L,5P,1.7mH,-,-,70mH,-,-,0.85ohm/8.5ohm,-,PL3,DMR30,EE-1916,20uH MAX,	SA
4	BH26-00164A	T601	TRANS POWER	ER-3435,CU17KS,350uH,15,90-264V,80V,10-55,FERRITE,ER-3435,0.05ohm/0.350ohm,8uH M	SA
4	BH26-00163A	T602	TRANS	UU-1116,CU17K,5,18mH min,18mH min,2.7ohm MAX,10 - 55,FERRITE,UU-1116 SB-5S	SA
4	1404-001264	TH601	THERMISTOR-PTC	4.50HM,+30/-20%,220V,290VAC,21A,-,TR	SA
4	1404-001020	TH602	THERMISTOR-NTC	8ohm,15%,-,17mW/C,BK	SA
4	BH97-00505B	MICOM	ASSY MICOM	LE17JS	SA
5	BH82-00020H	CIS	A/S MICOM	LE17JS	SNA
5	0903-001194	IC201	IC-MICROCONTROLLER	3P863,8Bit,SDIP,42P,600MIL,12MHz,ST,CMOS,PLASTIC,5V,-,-,40to+85C,1040BYTE,48KBYTE	SNA

Level	Loc. No.	Code No.	Description	Specification	Remarks
4	BH97-00521A	-	ASSY AUTO-MAIN-AUTO	LEO	SNA
5	3301-001450	BD321	BEAD-AXIAL	45ohm,3.5x0.6x5.7mm,50mA,TP,...	SNA
5	3301-001450	BD401	BEAD-AXIAL	45ohm,3.5x0.6x5.7mm,50mA,TP,...	SNA
5	3301-001450	BD402	BEAD-AXIAL	45ohm,3.5x0.6x5.7mm,50mA,TP,...	SNA
5	3301-001450	BD431	BEAD-AXIAL	45ohm,3.5x0.6x5.7mm,50mA,TP,...	SNA
5	3301-001450	BD501	BEAD-AXIAL	45ohm,3.5x0.6x5.7mm,50mA,TP,...	SNA
5	3301-001450	BD502	BEAD-AXIAL	45ohm,3.5x0.6x5.7mm,50mA,TP,...	SNA
5	3301-001450	BD601	BEAD-AXIAL	45ohm,3.5x0.6x5.7mm,50mA,TP,...	SNA
5	3301-001450	BD621	BEAD-AXIAL	45ohm,3.5x0.6x5.7mm,50mA,TP,...	SNA
5	3301-001450	BD622	BEAD-AXIAL	45ohm,3.5x0.6x5.7mm,50mA,TP,...	SNA
5	2202-002037	C201	C-CERAMIC,MLC-AXIAL	100nF,80-20%,50V,Y5V,TP,2.2x3.	SA
5	2202-00205	C202	C-CERAMIC,MLC-AXIAL	22pF,5%,50V,SL,TP,1.9x3.5,-	SA
5	2202-00205	C203	C-CERAMIC,MLC-AXIAL	22pF,5%,50V,SL,TP,1.9x3.5,-	SA
5	2401-000603	C204	C-AL	1UF,20%,50V,GP,TP,5X11,2	SA
5	2202-000121	C205	C-CERAMIC,MLC-AXIAL	100pF,10%,50V,Y5P,TP,1.9x3.5,-	SA
5	2202-000796	C206	C-CERAMIC,MLC-AXIAL	1NF,10%,50V,Y5P,TP,3.5X1.9MM,-	SA
5	2202-000121	C207	C-CERAMIC,MLC-AXIAL	100pF,10%,50V,Y5P,TP,1.9x3.5,-	SA
5	2401-000603	C208	C-AL	1UF,20%,50V,GP,TP,5X11,2	SA
5	2401-000603	C209	C-AL	1UF,20%,50V,GP,TP,5X11,2	SA
5	2401-002299	C210	C-AL	4.7uF,20%,50V,GP,TP,5x7,5	SA
5	2401-002299	C211	C-AL	4.7uF,20%,50V,GP,TP,5x7,5	SA
5	2202-00205	C212	C-CERAMIC,MLC-AXIAL	22pF,5%,50V,SL,TP,1.9x3.5,-	SA
5	2401-002463	C301	C-AL	470uF,20%,16V,GP,TP,8x11.5,5	SA
5	2301-000148	C302	C-FILM,LEAD-PEF	10nF,5%,100V,TP,7x3.2x7mm,5mm	SA
5	2305-000665	C303	C-FILM,LEAD-PEF	100nF,5%,63V,TP,7.5x4.0x5.0mm,	SA
5	2301-000014	C304	C-FILM,LEAD-PEF	6.8nF,5%,100V,TP,5.8x12.5mm,5m	SA
5	2305-000289	C305	C-FILM,LEAD-PEF	220nF,5%,63V,TP,-,5mm	SA
5	2401-000852	C306	C-AL	220uF,20%,35V,GP,TP,8x11.5mm,5	SA
5	2202-002008	C307	C-CERAMIC,MLC-AXIAL	10nF,+80-20%,50V,Y5V,TP,2.3X3.	SA
5	2202-002037	C321	C-CERAMIC,MLC-AXIAL	100nF,80-20%,50V,Y5V,TP,2.2x3.	SA
5	2401-000480	C322	C-AL	10uF,20%,50V,GP,TP,5x11,5	SA
5	2305-000196	C331	C-FILM,LEAD-PEF	150nF,5%,63V,TP,-,5mm	SA
5	2305-000412	C332	C-FILM,LEAD-PEF	470nF,5%,63V,TP,-,5mm	SA
5	2401-002144	C333	C-AL	47uF,20%,16V,GP,TP,5x11,5	SA
5	2401-001334	C401	C-AL	0.47UF,20%,50V,GP,TP,5X11,2.5	SA
5	2401-001220	C402	C-AL	4.7uF,20%,160V,GP,TP,8x11.5,5	SA
5	2301-000010	C403	C-FILM,LEAD-PEF	100nF,5%,100V,TP,11.5x12.5mm,5	SA
5	2303-001029	C404	C-FILM,LEAD-PPF	5.2nF,5%,630V,TP,19x7x13,7.5	SA
5	2309-000106	C405	C-FILM,LEAD-OTHER	2.2nF,5%,1.6KV,TP,23x16x9,7.5m	△ SA
5	2309-000106	C406	C-FILM,LEAD-OTHER	2.2nF,5%,1.6KV,TP,23x16x9,7.5m	△ SA
5	2305-000178	C407	C-FILM,LEAD-PEF	10nF,5%,100V,TP,-,5mm	SA
5	2401-001914	C411	C-AL	1uF,20%,50V,BP,TP,5x11,5	SA
5	2201-000471	C412	C-CERAMIC,DISC	0.33NF,10%,50V,Y5P,TP,4X3.5MM,5	SA
5	2301-000016	C413	C-FILM,LEAD-PEF	22nF,5%,100V,TP,7.2x4.5x9.0mm,	SA
5	2305-000470	C414	C-FILM,LEAD-PEF	68nF,5%,100V,TP,-,5mm	SA
5	2401-001012	C415	C-AL	3.3UF,20%,50V,BP,TP,16X25,7.5	SA
5	2401-000025	C431	C-AL	100uF,20%,16V,GP,TP,6.3x11,5	SA
5	2305-000665	C432	C-FILM,LEAD-PEF	100nF,5%,63V,TP,7.5x4.0x5.0mm,	SA
5	2301-000148	C433	C-FILM,LEAD-PEF	10nF,5%,100V,TP,7x3.2x7mm,5mm	SA
5	2202-000573	C434	C-CERAMIC,MLC-RADIAL	0.82NF,5%,50V,COG,TP,5.1X3.2X5.1MM,5	SA
5	2301-000148	C435	C-FILM,LEAD-PEF	10nF,5%,100V,TP,7x3.2x7mm,5mm	SA
5	2401-000660	C436	C-AL	2.2uF,20%,50V,GP,TP,5x11,5	SA
5	2401-000603	C437	C-AL	1UF,20%,50V,GP,TP,5X11,2	SA
5	2401-002144	C438	C-AL	47uF,20%,16V,GP,TP,5x11,5	SA
5	2305-001033	C443	C-FILM,LEAD-PEF	15nF,10%,250V,TP,13X9.0X4.5mm,	SA
5	2306-000137	C452	C-FILM,LEAD-PPF	180nF,5%,250V,TP,19x16.5x8,7.5	SA

Level	Loc. No.	Code No.	Description	Specification	Remarks
5	2301-001324	C453	C-FILM,LEAD-PPF	200nF,5%,250V,TP,17.5x7x13mm,7.5	SA
5	2306-000169	C455	C-FILM,LEAD-PPF	250nF,5%,250V,TP,19x18x9.5,7.5	SA
5	2401-000603	C456	C-AL	1UF,20%,50V,GP,TP,5X11,2	SA
5	2401-000603	C457	C-AL	1UF,20%,50V,GP,TP,5X11,2	SA
5	2401-000603	C458	C-AL	1UF,20%,50V,GP,TP,5X11,2	SA
5	2401-003826	C501	C-AL	220UF,20%,63V,LR,TP,10X25MM,5	SA
5	2201-000291	C502	C-CERAMIC,DISC	1NF,10%,500V,Y5P,TP,7.5X3.5MM,5	SA
5	2401-002267	C504	C-AL	2.2uF,20%,250V,GP,TP,8x11.5,5	SA
5	2401-002267	C505	C-AL	2.2uF,20%,250V,GP,TP,8x11.5,5	SA
5	2301-000294	C521	C-FILM,LEAD-PEF	56nF,5%,100V,TP,9.5x12.5mm,5mm	SA
5	2202-002037	C531	C-CERAMIC,MLC-AXIAL	100nF,80-20%,50V,Y5V,TP,2.2x3.	SA
5	2301-000106	C532	C-FILM,LEAD-PEF	1.5nF,0.05,100V,TP,10.5*12.5*6	SA
5	2401-000758	C533	C-AL	0.22UF,20%,50V,GP,TP,5X11,5	SA
5	2301-000016	C534	C-FILM,LEAD-PEF	22nF,5%,100V,TP,7.2x4.5x9.0mm,	SA
5	2301-000106	C535	C-FILM,LEAD-PEF	1.5nF,0.05,100V,TP,10.5*12.5*6	SA
5	2301-000110	C536	C-FILM,LEAD-PEF	1.8nF,5%,100V,TP,7x3.0x6.5mm,5	SA
5	2202-002037	C537	C-CERAMIC,MLC-AXIAL	100nF,80-20%,50V,Y5V,TP,2.2x3.	SA
5	2401-000480	C551	C-AL	10uF,20%,50V,GP,TP,5x11,5	SA
5	2201-000291	C552	C-CERAMIC,DISC	1NF,10%,500V,Y5P,TP,7.5X3.5MM,5	SA
5	2201-000132	C553	C-CERAMIC,DISC	0.1NF,10%,500V,Y5P,TP,6.5X3MM,5	SA
5	2201-000291	C561	C-CERAMIC,DISC	1NF,10%,500V,Y5P,TP,7.5X3.5MM,5	SA
5	2201-000023	C603	C-CERAMIC,DISC	2.2NF,20%,250V,Y5U,TP,11X7MM,5	SA
5	2201-000023	C604	C-CERAMIC,DISC	2.2NF,20%,250V,Y5U,TP,11X7MM,5	SA
5	2401-000970	C606	C-AL	22uF,20%,50V,WT,TP,5x11,5	SA
5	2202-002037	C607	C-CERAMIC,MLC-AXIAL	100nF,80-20%,50V,Y5V,TP,2.2x3.	SA
5	2201-000325	C608	C-CERAMIC,DISC	2.2NF,10%,500V,Y5P,TP,9.5X4MM,5	SA
5	2201-000129	C609	C-CERAMIC,DISC	0.1NF,10%,1KV,Y5P,TP,7X4MM,5	SA
5	2301-000188	C610	C-FILM,LEAD-PEF	1nF,5%,100V,TP,10.5x12.5x6.5,5	SA
5	2401-000611	C611	C-AL	1uF,20%,50V,WT,TP,5x11,5	SA
5	2305-000665	C613	C-FILM,LEAD-PEF	100nF,5%,63V,TP,7.5x4.0x5.0mm,	SA
5	2301-000284	C614	C-FILM,LEAD-PEF	47nF,5%,100V,TP,8.5x12.5mm,5mm	SA
5	2401-001513	C615	C-AL	47uF,20%,16V,WT,TP,5x11,5	SA
5	2202-002037	C616	C-CERAMIC,MLC-AXIAL	100nF,80-20%,50V,Y5V,TP,2.2x3.	SA
5	2201-000023	C617	C-CERAMIC,DISC	2.2NF,20%,250V,Y5U,TP,11X7MM,5	SA
5	2401-003046	C618	C-AL	47uF,20%,50V,WT,TP,6.3x11,2.5	SA
5	2201-000291	C619	C-CERAMIC,DISC	1NF,10%,500V,Y5P,TP,7.5X3.5MM,5	SA
5	2305-000178	C621	C-FILM,LEAD-PEF	10nF,5%,100V,TP,-5mm	SA
5	2401-000039	C622	C-AL	1000uF,20%,16V,GP,TP,10x16,5	SA
5	2401-000025	C624	C-AL	100uF,20%,16V,GP,TP,6.3x11,5	SA
5	2401-000025	C625	C-AL	100uF,20%,16V,GP,TP,6.3x11,5	SA
5	2401-002463	C626	C-AL	470uF,20%,16V,GP,TP,8x11.5,5	SA
5	2401-000039	C627	C-AL	1000uF,20%,16V,GP,TP,10x16,5	SA
5	2401-002300	C628	C-AL	47uF,20%,50V,GP,TP,6.3x11,5	SA
5	2401-003826	C629	C-AL	220UF,20%,63V,LR,TP,10X25MM,5	SA
5	2201-000469	C630	C-CERAMIC,DISC	0.33NF,10%,500V,Y5P,TP,5.5X3MM,5	SA
5	2401-000039	C631	C-AL	1000uF,20%,16V,GP,TP,10x16,5	SA
5	2401-000025	C632	C-AL	100uF,20%,16V,GP,TP,6.3x11,5	SA
5	3711-000197	CN321	CONNECTOR-HEADER	1WALL,3P,1R,2.5mm,STRAIGHT,SN	SA
5	3711-000217	CN602	CONNECTOR-HEADER	1WALL,2P,1R,7.92MM,STRAIGHT,SN,NTR	SA
5	0401-000005	D201	DIODE-SWITCHING	1N4148,75V,150MA,DO-35,TP	SA
5	0402-000128	D301	DIODE-RECTIFIER	1N4002GP,100V,1A,DO-41,TP	SA
5	0402-000546	D302	DIODE-RECTIFIER	TVR10G,400V,1.0A,DO-41,TP	SA
5	0401-000005	D341	DIODE-SWITCHING	1N4148,75V,150MA,DO-35,TP	SA
5	0401-000005	D401	DIODE-SWITCHING	1N4148,75V,150MA,DO-35,TP	SA
5	0401-000004	D402	DIODE-SWITCHING	1SS244,220V,200MA,DO-34,TP	SA
5	0402-000208	D403	DIODE-RECTIFIER	EK-04,40V,1A,DO-41,TP	SA

Level	Loc. No.	Code No.	Description	Specification	Remarks
5	0402-000274	D404	DIODE-RECTIFIER	UF4004,400V,1A,DO-41,TP	SA
5	0401-000005	D411	DIODE-SWITCHING	1N4148,75V,150MA,DO-35,TP	SA
5	0401-000005	D412	DIODE-SWITCHING	1N4148,75V,150MA,DO-35,TP	SA
5	0401-000005	D413	DIODE-SWITCHING	1N4148,75V,150MA,DO-35,TP	SA
5	0401-000005	D414	DIODE-SWITCHING	1N4148,75V,150MA,DO-35,TP	SA
5	0402-000274	D441	DIODE-RECTIFIER	UF4004,400V,1A,DO-41,TP	SA
5	0402-000006	D451	DIODE-RECTIFIER	1N4007GP,1KV,1A,DO-41,TP	SA
5	0402-000006	D452	DIODE-RECTIFIER	1N4007GP,1KV,1A,DO-41,TP	SA
5	0402-000006	D453	DIODE-RECTIFIER	1N4007GP,1KV,1A,DO-41,TP	SA
5	0402-000546	D455	DIODE-RECTIFIER	TVR10G,400V,1.0A,DO-41,TP	SA
5	0402-001118	D501	DIODE-RECTIFIER	UF1G,400V,1.2A,DO-204AC,TP	SA
5	0402-000274	D502	DIODE-RECTIFIER	UF4004,400V,1A,DO-41,TP	SA
5	0402-000546	D503	DIODE-RECTIFIER	TVR10G,400V,1.0A,DO-41,TP	SA
5	0402-000546	D504	DIODE-RECTIFIER	TVR10G,400V,1.0A,DO-41,TP	SA
5	0401-000005	D511	DIODE-SWITCHING	1N4148,75V,150MA,DO-35,TP	SA
5	0401-000005	D512	DIODE-SWITCHING	1N4148,75V,150MA,DO-35,TP	SA
5	0401-000005	D521	DIODE-SWITCHING	1N4148,75V,150MA,DO-35,TP	SA
5	0401-000005	D522	DIODE-SWITCHING	1N4148,75V,150MA,DO-35,TP	SA
5	0401-000005	D523	DIODE-SWITCHING	1N4148,75V,150MA,DO-35,TP	SA
5	0401-000004	D531	DIODE-SWITCHING	1SS244,220V,200MA,DO-34,TP	SA
5	0401-000004	D532	DIODE-SWITCHING	1SS244,220V,200MA,DO-34,TP	SA
5	0401-000005	D533	DIODE-SWITCHING	1N4148,75V,150MA,DO-35,TP	SA
5	0402-000012	D603	DIODE-RECTIFIER	UF4007,1KV,1A,DO-41,TP	SA
5	0402-000012	D604	DIODE-RECTIFIER	UF4007,1KV,1A,DO-41,TP	SA
5	0402-000546	D605	DIODE-RECTIFIER	TVR10G,400V,1.0A,DO-41,TP	SA
5	0402-000546	D606	DIODE-RECTIFIER	TVR10G,400V,1.0A,DO-41,TP	SA
5	0401-000005	D607	DIODE-SWITCHING	1N4148,75V,150MA,DO-35,TP	SA
5	0401-000005	D608	DIODE-SWITCHING	1N4148,75V,150MA,DO-35,TP	SA
5	0401-000005	D621	DIODE-SWITCHING	1N4148,75V,150MA,DO-35,TP	SA
5	0402-001194	D622	DIODE-RECTIFIER	UG2D,200V,2A,-,TP	SA
5	0402-000274	D623	DIODE-RECTIFIER	UF4004,400V,1A,DO-41,TP	SA
5	0402-000274	D624	DIODE-RECTIFIER	UF4004,400V,1A,DO-41,TP	SA
5	0402-000012	D626	DIODE-RECTIFIER	UF4007,1KV,1A,DO-41,TP	SA
5	0402-001194	D627	DIODE-RECTIFIER	UG2D,200V,2A,-,TP	SA
5	0402-000274	D628	DIODE-RECTIFIER	UF4004,400V,1A,DO-41,TP	SA
5	6042-000001	EY301	EYELET	ID2.2,OD2.7,L3.1,NI+SN,BSP3-1/2H	SNA
5	6042-000001	EY302	EYELET	ID2.2,OD2.7,L3.1,NI+SN,BSP3-1/2H	SNA
5	6042-000001	EY401	EYELET	ID2.2,OD2.7,L3.1,NI+SN,BSP3-1/2H	SNA
5	6042-000001	EY402	EYELET	ID2.2,OD2.7,L3.1,NI+SN,BSP3-1/2H	SNA
5	6042-000001	EY403	EYELET	ID2.2,OD2.7,L3.1,NI+SN,BSP3-1/2H	SNA
5	6042-000002	EY404	EYELET	ID1.5,OD2,L2.8,NI+SN,BSP3-1/2H	SNA
5	6042-000002	EY405	EYELET	ID1.5,OD2,L2.8,NI+SN,BSP3-1/2H	SNA
5	6042-000002	EY406	EYELET	ID1.5,OD2,L2.8,NI+SN,BSP3-1/2H	SNA
5	6042-000002	EY441	EYELET	ID1.5,OD2,L2.8,NI+SN,BSP3-1/2H	SNA
5	6042-000002	EY442	EYELET	ID1.5,OD2,L2.8,NI+SN,BSP3-1/2H	SNA
5	6042-000002	EY501	EYELET	ID1.5,OD2,L2.8,NI+SN,BSP3-1/2H	SNA
5	6042-000002	EY502	EYELET	ID1.5,OD2,L2.8,NI+SN,BSP3-1/2H	SNA
5	6042-000002	EY503	EYELET	ID1.5,OD2,L2.8,NI+SN,BSP3-1/2H	SNA
5	6042-000002	EY504	EYELET	ID1.5,OD2,L2.8,NI+SN,BSP3-1/2H	SNA
5	6042-000002	EY505	EYELET	ID1.5,OD2,L2.8,NI+SN,BSP3-1/2H	SNA
5	6042-000002	EY506	EYELET	ID1.5,OD2,L2.8,NI+SN,BSP3-1/2H	SNA
5	6042-000002	EY507	EYELET	ID1.5,OD2,L2.8,NI+SN,BSP3-1/2H	SNA
5	6042-000001	EY601	EYELET	ID2.2,OD2.7,L3.1,NI+SN,BSP3-1/2H	SNA
5	6042-000001	EY602	EYELET	ID2.2,OD2.7,L3.1,NI+SN,BSP3-1/2H	SNA
5	6042-000001	EY603	EYELET	ID2.2,OD2.7,L3.1,NI+SN,BSP3-1/2H	SNA
5	6042-000001	EY604	EYELET	ID2.2,OD2.7,L3.1,NI+SN,BSP3-1/2H	SNA

Level	Loc. No.	Code No.	Description	Specification	Remarks
5	6042-000001	EY605	EYELET	ID2.2,OD2.7,L3.1,NI+SN,BSP3-1/2H	SNA
5	6042-000001	EY606	EYELET	ID2.2,OD2.7,L3.1,NI+SN,BSP3-1/2H	SNA
5	6042-000002	EY607	EYELET	ID1.5,OD2.L2.8,NI+SN,BSP3-1/2H	SNA
5	6042-000002	EY608	EYELET	ID1.5,OD2.L2.8,NI+SN,BSP3-1/2H	SNA
5	6042-000002	EY621	EYELET	ID1.5,OD2.L2.8,NI+SN,BSP3-1/2H	SNA
5	6042-000002	EY622	EYELET	ID1.5,OD2.L2.8,NI+SN,BSP3-1/2H	SNA
5	BH71-40300A	GT601	PIN-HINGE	BRASS,D2.361,HEAT/SINK,SN	SNA
5	BH71-40300A	GT602	PIN-HINGE	BRASS,D2.361,HEAT/SINK,SN	SNA
5	1103-001150	IC241	IC-EEPROM	24C081,1Kx8,DIP,8P,9.2x6.4mm,2.7/5.5V,-25to+70C	△ △ SA
5	BH39-40305U	JP1	CBF HARNESS	52MM,AWG22(0.6PI),-,-,AWG22(0.	SA
5	BH39-40305U	JP10	CBF HARNESS	52MM,AWG22(0.6PI),-,-,AWG22(0.	SA
5	BH39-40305U	JP11	CBF HARNESS	52MM,AWG22(0.6PI),-,-,AWG22(0.	SA
5	BH39-40305U	JP12	CBF HARNESS	52MM,AWG22(0.6PI),-,-,AWG22(0.	SA
5	BH39-40305U	JP13	CBF HARNESS	52MM,AWG22(0.6PI),-,-,AWG22(0.	SA
5	BH39-40305U	JP14	CBF HARNESS	52MM,AWG22(0.6PI),-,-,AWG22(0.	SA
5	BH39-40305U	JP15	CBF HARNESS	52MM,AWG22(0.6PI),-,-,AWG22(0.	SA
5	BH39-40305U	JP16	CBF HARNESS	52MM,AWG22(0.6PI),-,-,AWG22(0.	SA
5	BH39-40305U	JP17	CBF HARNESS	52MM,AWG22(0.6PI),-,-,AWG22(0.	SA
5	BH39-40305U	JP18	CBF HARNESS	52MM,AWG22(0.6PI),-,-,AWG22(0.	SA
5	BH39-40305U	JP19	CBF HARNESS	52MM,AWG22(0.6PI),-,-,AWG22(0.	SA
5	BH39-40305U	JP2	CBF HARNESS	52MM,AWG22(0.6PI),-,-,AWG22(0.	SA
5	BH39-40305U	JP20	CBF HARNESS	52MM,AWG22(0.6PI),-,-,AWG22(0.	SA
5	BH39-40305U	JP21	CBF HARNESS	52MM,AWG22(0.6PI),-,-,AWG22(0.	SA
5	BH39-40305U	JP22	CBF HARNESS	52MM,AWG22(0.6PI),-,-,AWG22(0.	SA
5	BH39-40305U	JP23	CBF HARNESS	52MM,AWG22(0.6PI),-,-,AWG22(0.	SA
5	BH39-40305U	JP24	CBF HARNESS	52MM,AWG22(0.6PI),-,-,AWG22(0.	SA
5	BH39-40305U	JP25	CBF HARNESS	52MM,AWG22(0.6PI),-,-,AWG22(0.	SA
5	BH39-40305U	JP26	CBF HARNESS	52MM,AWG22(0.6PI),-,-,AWG22(0.	SA
5	3301-001450	JP27	BEAD-AXIAL	45ohm,3.5x0.6x5.7mm,50mA,TP,,,	SNA
5	BH39-40305U	JP3	CBF HARNESS	52MM,AWG22(0.6PI),-,-,AWG22(0.	SA
5	BH39-40305U	JP31	CBF HARNESS	52MM,AWG22(0.6PI),-,-,AWG22(0.	SA
5	BH39-40305U	JP32	CBF HARNESS	52MM,AWG22(0.6PI),-,-,AWG22(0.	SA
5	BH39-40305U	JP33	CBF HARNESS	52MM,AWG22(0.6PI),-,-,AWG22(0.	SA
5	BH39-40305U	JP34	CBF HARNESS	52MM,AWG22(0.6PI),-,-,AWG22(0.	SA
5	BH39-40305U	JP35	CBF HARNESS	52MM,AWG22(0.6PI),-,-,AWG22(0.	SA
5	BH39-40305U	JP37	CBF HARNESS	52MM,AWG22(0.6PI),-,-,AWG22(0.	SA
5	BH39-40305U	JP38	CBF HARNESS	52MM,AWG22(0.6PI),-,-,AWG22(0.	SA
5	BH39-40305U	JP4	CBF HARNESS	52MM,AWG22(0.6PI),-,-,AWG22(0.	SA
5	BH39-40305U	JP5	CBF HARNESS	52MM,AWG22(0.6PI),-,-,AWG22(0.	SA
5	BH39-40305U	JP6	CBF HARNESS	52MM,AWG22(0.6PI),-,-,AWG22(0.	SA
5	BH39-40305U	JP7	CBF HARNESS	52MM,AWG22(0.6PI),-,-,AWG22(0.	SA
5	BH39-40305U	JP8	CBF HARNESS	52MM,AWG22(0.6PI),-,-,AWG22(0.	SA
5	BH39-40305U	JP9	CBF HARNESS	52MM,AWG22(0.6PI),-,-,AWG22(0.	SA
5	BH41-00268A	MP1.0	PCB MAIN	LE17JS,FR-1,1,1.0,1.6T,247*247,LE17,MAIN	SNA
5	0501-000122	Q321	TR-SMALL SIGNAL	2N3904,NPN,625mW,TO-92,TP,100-300	SA
5	0501-000581	Q322	TR-SMALL SIGNAL	2N3906,PNP,625mW,TO-92,TP,100-300	SA
5	0501-000122	Q323	TR-SMALL SIGNAL	2N3904,NPN,625mW,TO-92,TP,100-300	SA
5	0501-000372	Q401	TR-SMALL SIGNAL	KSC2383-Y,NPN,900000mW,TO-92L,TP,160-320	SA
5	0501-000303	Q411	TR-SMALL SIGNAL	KSA733,PNP,250mW,TO-92,TP,120-240	SA
5	0501-000303	Q412	TR-SMALL SIGNAL	KSA733,PNP,250mW,TO-92,TP,120-240	SA
5	0501-000140	Q413	TR-SMALL SIGNAL	2N5551,NPN,625mW,TO-92,TP,80-250	SA
5	0501-000412	Q455	TR-SMALL SIGNAL	KSP42,NPN,625mW,TO-92,-,40	SA
5	0501-000412	Q456	TR-SMALL SIGNAL	KSP42,NPN,625mW,TO-92,-,40	SA
5	0501-000412	Q457	TR-SMALL SIGNAL	KSP42,NPN,625mW,TO-92,-,40	SA
5	0501-000586	Q501	TR-SMALL SIGNAL	KSC945,NPN,250mW,TO-92,TP,120-240	SA
5	0501-000303	Q502	TR-SMALL SIGNAL	KSA733,PNP,250mW,TO-92,TP,120-240	SA

Level	Loc. No.	Code No.	Description	Specification	Remarks
5	0501-000586	Q511	TR-SMALL SIGNAL	KSC945,NPN,250mW,TO-92,TP,120-240	SA
5	0501-000143	Q512	TR-SMALL SIGNAL	2N6520,PNP,625mW,TO-92,TP,30-200	SA
5	0501-000413	Q551	TR-SMALL SIGNAL	KSP44,NPN,625mW,TO-92,TP,50-200	SA
5	0501-000122	Q601	TR-SMALL SIGNAL	2N3904,NPN,625mW,TO-92,TP,100-300	SA
5	0501-000010	Q621	TR-SMALL SIGNAL	KSC1008,NPN,800mW,TO-92,TP,120-240	SA
5	0501-000586	Q622	TR-SMALL SIGNAL	KSC945,NPN,250mW,TO-92,TP,120-240	SA
5	0501-000404	Q623	TR-SMALL SIGNAL	KSD1616-Y,NPN,750mW,TO-92,TP,135-270	SA
5	0501-000586	Q624	TR-SMALL SIGNAL	KSC945,NPN,250mW,TO-92,TP,120-240	SA
5	0501-002228	Q625	TR-SMALL SIGNAL	KTA1281,PNP,1000mW,TO-92L,TP,120-240	SA
5	2001-000869	R201	R-CARBON	560HM,5%,1/8W,AA,TP,1.8X3.2MM	SA
5	2001-000290	R202	R-CARBON	10KOHM,5%,1/8W,AA,TP,1.8X3.2MM	SA
5	2001-000008	R203	R-CARBON	15KOHM,5%,1/8W,AA,TP,1.8X3.2MM	SA
5	2001-000008	R204	R-CARBON	15KOHM,5%,1/8W,AA,TP,1.8X3.2MM	SA
5	2001-000869	R205	R-CARBON	560HM,5%,1/8W,AA,TP,1.8X3.2MM	SA
5	2001-000869	R206	R-CARBON	560HM,5%,1/8W,AA,TP,1.8X3.2MM	SA
5	2001-000290	R207	R-CARBON	10KOHM,5%,1/8W,AA,TP,1.8X3.2MM	SA
5	2001-000290	R208	R-CARBON	10KOHM,5%,1/8W,AA,TP,1.8X3.2MM	SA
5	2001-000734	R209	R-CARBON	4.7KOHM,5%,1/8W,AA,TP,1.8X3.2MM	SA
5	2001-000734	R210	R-CARBON	4.7KOHM,5%,1/8W,AA,TP,1.8X3.2MM	SA
5	2001-000734	R211	R-CARBON	4.7KOHM,5%,1/8W,AA,TP,1.8X3.2MM	SA
5	2001-000734	R212	R-CARBON	4.7KOHM,5%,1/8W,AA,TP,1.8X3.2MM	SA
5	2001-000281	R213	R-CARBON	1000HM,5%,1/8W,AA,TP,1.8X3.2MM	SA
5	2001-000281	R214	R-CARBON	1000HM,5%,1/8W,AA,TP,1.8X3.2MM	SA
5	2001-000554	R215	R-CARBON	2700HM,5%,1/8W,AA,TP,1.8X3.2MM	SA
5	2001-000591	R216	R-CARBON	3.3KOHM,5%,1/8W,AA,TP,1.8X3.2MM	SA
5	2001-000281	R217	R-CARBON	1000HM,5%,1/8W,AA,TP,1.8X3.2MM	SA
5	2001-000281	R218	R-CARBON	1000HM,5%,1/8W,AA,TP,1.8X3.2MM	SA
5	2001-000281	R219	R-CARBON	1000HM,5%,1/8W,AA,TP,1.8X3.2MM	SA
5	2001-000429	R220	R-CARBON	1KOHM,5%,1/8W,AA,TP,1.8X3.2MM	SA
5	2001-000515	R221	R-CARBON	2200HM,5%,1/8W,AA,TP,1.8X3.2MM	SA
5	2001-000290	R222	R-CARBON	10KOHM,5%,1/8W,AA,TP,1.8X3.2MM	SA
5	2001-000290	R223	R-CARBON	10KOHM,5%,1/8W,AA,TP,1.8X3.2MM	SA
5	2001-000241	R224	R-CARBON	1.5KOHM,5%,1/8W,AA,TP,1.8X3.2MM	SA
5	2001-000435	R225	R-CARBON	1MOHM,5%,1/8W,AA,TP,1.8X3.2MM	SA
5	2001-000869	R231	R-CARBON	560HM,5%,1/8W,AA,TP,1.8X3.2MM	SA
5	2001-000869	R232	R-CARBON	560HM,5%,1/8W,AA,TP,1.8X3.2MM	SA
5	2001-000281	R241	R-CARBON	1000HM,5%,1/8W,AA,TP,1.8X3.2MM	SA
5	2001-000281	R242	R-CARBON	1000HM,5%,1/8W,AA,TP,1.8X3.2MM	SA
5	2001-000281	R243	R-CARBON	1000HM,5%,1/8W,AA,TP,1.8X3.2MM	SA
5	2001-000009	R302	R-CARBON	20KOHM,5%,1/8W,AA,TP,1.8X3.2MM	SA
5	2004-001254	R303	R-METAL	8.2Kohm,1%,1/4W,AA,TP,2.4x6.4mm	SA
5	2001-000734	R304	R-CARBON	4.7KOHM,5%,1/8W,AA,TP,1.8X3.2MM	SA
5	2004-000616	R305	R-METAL	24Kohm,1%,1/4W,AA,TP,2.4x6.4mm	SA
5	2004-001005	R306	R-METAL	5.1Kohm,1%,1/4W,AA,TP,2.4x6.4mm	SA
5	2004-001022	R307	R-METAL	5.6Kohm,1%,1/4W,AA,TP,2.4x6.4mm	SA
5	2004-004014	R308	R-METAL	2.4ohm,1%,1/4W,AA,TP,2.4x6.4mm	SA
5	2004-001794	R309	R-METAL	2.2ohm,1%,1/4W,AA,TP,2.4x7mm	SA
5	2001-001126	R310	R-CARBON(S)	3000HM,5%,1/2W,AA,TP,2.4X6.4MM	SA
5	2001-000908	R311	R-CARBON	62KOHM,5%,1/8W,AA,TP,1.8X3.2MM	SA
5	2001-001053	R312	R-CARBON(S)	1.5OHM,5%,1/2W,AA,TP,2.4X6.4MM	SA
5	2001-000290	R321	R-CARBON	10KOHM,5%,1/8W,AA,TP,1.8X3.2MM	SA
5	2001-000878	R322	R-CARBON	6.2KOHM,5%,1/8W,AA,TP,1.8X3.2MM	SA
5	2001-000302	R323	R-CARBON	10OHM,5%,1/8W,AA,TP,1.8X3.2MM	SA
5	2001-000273	R324	R-CARBON	100KOHM,5%,1/8W,AA,TP,1.8X3.2MM	SA
5	2001-000042	R325	R-CARBON	1KOHM,5%,1/4W,AA,TP,2.4X6.4MM	SA
5	2001-000281	R326	R-CARBON	1000HM,5%,1/8W,AA,TP,1.8X3.2MM	SA

Level	Loc. No.	Code No.	Description	Specification	Remarks
5	2001-001079	R327	R-CARBON(S)	150HM,5%,1/2W,AA,TP,2.4X6.4MM	SA
5	2001-001079	R328	R-CARBON(S)	150HM,5%,1/2W,AA,TP,2.4X6.4MM	SA
5	2001-000734	R331	R-CARBON	4.7KOHM,5%,1/8W,AA,TP,1.8X3.2MM	SA
5	2001-000319	R332	R-CARBON	120KOHM,5%,1/8W,AA,TP,1.8X3.2MM	SA
5	2001-000864	R333	R-CARBON	56KOHM,5%,1/8W,AA,TP,1.8X3.2MM	SA
5	2001-000281	R334	R-CARBON	100OHM,5%,1/8W,AA,TP,1.8X3.2MM	SA
5	2001-001088	R401	R-CARBON(S)	1KOHM,5%,1/2W,AA,TP,2.4X6.4MM	SA
5	2001-000110	R402	R-CARBON	100HM,5%,1/4W,AA,TP,2.4X6.4MM	SA
5	2001-000429	R403	R-CARBON	1KOHM,5%,1/8W,AA,TP,1.8X3.2MM	SA
5	2001-000319	R404	R-CARBON	120KOHM,5%,1/8W,AA,TP,1.8X3.2MM	SA
5	2001-001078	R405	R-CARBON(S)	15KOHM,5%,1/2W,AA,TP,2.4X6.4MM	SA
5	2003-000703	R406	R-METAL OXIDE(S)	470ohm,5%,3W,AA,TP,6x16mm	SA
5	2003-000407	R407	R-METAL OXIDE(S)	0.6ohm,5%,2W,AA,TP,4x12mm	SA
5	2001-000020	R408	R-CARBON(S)	22OHM,5%,1/2W,AA,TP,2.4X6.4MM	SA
5	2001-000019	R409	R-CARBON(S)	100HM,5%,1/2W,AA,TP,2.4X6.4MM	SA
5	2004-000193	R411	R-METAL	100Kohm,1%,1/4W,AA,TP,2.4x6.4m	SA
5	2004-000327	R412	R-METAL	150Kohm,1%,1/4W,AA,TP,2.4x6.4m	SA
5	2004-001349	R415	R-METAL	91Kohm,1%,1/4W,AA,TP,2.4x6.4mm	SA
5	2004-000298	R416	R-METAL	130Kohm,1%,1/4W,AA,TP,2.4x6.4m	SA
5	2001-000531	R417	R-CARBON	240KOHM,5%,1/8W,AA,TP,1.8X3.2MM	SA
5	2001-000221	R418	R-CARBON	1.2KOHM,5%,1/8W,AA,TP,1.8X3.2MM	SA
5	2004-000327	R419	R-METAL	150Kohm,1%,1/4W,AA,TP,2.4x6.4m	SA
5	2004-000176	R420	R-METAL	1.8Kohm,1%,1/4W,AA,TP,2.4x6.4m	SA
5	2004-001254	R421	R-METAL	8.2Kohm,1%,1/4W,AA,TP,2.4x6.4m	SA
5	2004-001254	R431	R-METAL	8.2Kohm,1%,1/4W,AA,TP,2.4x6.4m	SA
5	2001-000449	R432	R-CARBON	2.2KOHM,5%,1/8W,AA,TP,1.8X3.2MM	SA
5	2003-000525	R441	R-METAL OXIDE(S)	180ohm,5%,2W,AA,TP,4x12mm	SA
5	2003-000471	R445	R-METAL OXIDE(S)	10ohm,5%,2W,AA,TP,4x12mm	SA
5	2001-000290	R451	R-CARBON	10KOHM,5%,1/8W,AA,TP,1.8X3.2MM	SA
5	2001-000449	R452	R-CARBON	2.2KOHM,5%,1/8W,AA,TP,1.8X3.2MM	SA
5	2001-000786	R453	R-CARBON	47KOHM,5%,1/8W,AA,TP,1.8X3.2MM	SA
5	2001-000290	R454	R-CARBON	10KOHM,5%,1/8W,AA,TP,1.8X3.2MM	SA
5	2001-000449	R455	R-CARBON	2.2KOHM,5%,1/8W,AA,TP,1.8X3.2MM	SA
5	2001-000786	R456	R-CARBON	47KOHM,5%,1/8W,AA,TP,1.8X3.2MM	SA
5	2001-000290	R457	R-CARBON	10KOHM,5%,1/8W,AA,TP,1.8X3.2MM	SA
5	2001-000449	R458	R-CARBON	2.2KOHM,5%,1/8W,AA,TP,1.8X3.2MM	SA
5	2001-000786	R459	R-CARBON	47KOHM,5%,1/8W,AA,TP,1.8X3.2MM	SA
5	2001-001099	R501	R-CARBON(S)	2.7KOHM,5%,1/2W,AA,TP,2.4X6.4MM	SA
5	2003-000145	R502	R-METAL OXIDE	100ohm,5%,1W,AA,TP,4.3x12mm	SA
5	2001-000333	R503	R-CARBON	120HM,5%,1/4W,AA,TP,2.4X6.4MM	SA
5	2001-000522	R504	R-CARBON	22KOHM,5%,1/8W,AA,TP,1.8X3.2MM	SA
5	2003-000703	R505	R-METAL OXIDE(S)	470ohm,5%,3W,AA,TP,6x16mm	SA
5	2003-000407	R506	R-METAL OXIDE(S)	0.6ohm,5%,2W,AA,TP,4x12mm	△ SA
5	2001-000107	R507	R-CARBON(S)	150KOHM,5%,1/2W,AA,TP,2.4X6.4MM	SA
5	2001-000429	R508	R-CARBON	1KOHM,5%,1/8W,AA,TP,1.8X3.2MM	△ SA
5	2001-000786	R511	R-CARBON	47KOHM,5%,1/8W,AA,TP,1.8X3.2MM	SA
5	2001-001088	R513	R-CARBON(S)	1KOHM,5%,1/2W,AA,TP,2.4X6.4MM	SA
5	2002-001093	R514	R-COMPOSITION	24KOHM,5%,1/2W,AA,TP,3X9MM	SA
5	2002-001094	R515	R-COMPOSITION	22KOHM,5%,1/2W,AA,TP,3X9MM	SA
5	2004-001164	R521	R-METAL	62Kohm,1%,1/4W,AA,TP,2.4x6.4mm	SA
5	2004-000327	R522	R-METAL	150Kohm,1%,1/4W,AA,TP,2.4x6.4m	SA
5	2001-000660	R523	R-CARBON	33KOHM,5%,1/8W,AA,TP,1.8X3.2MM	SA
5	2001-000429	R524	R-CARBON	1KOHM,5%,1/8W,AA,TP,1.8X3.2MM	SA
5	2001-000531	R525	R-CARBON	240KOHM,5%,1/8W,AA,TP,1.8X3.2MM	SA
5	2001-001000	R531	R-CARBON	82KOHM,5%,1/8W,AA,TP,1.8X3.2MM	SA
5	2001-000290	R532	R-CARBON	10KOHM,5%,1/8W,AA,TP,1.8X3.2MM	SA

Level	Loc. No.	Code No.	Description	Specification	Remarks
5	2001-000478	R533	R-CARBON	2.70HM,5%,1/4W,AA,TP,2.4X6.4MM	SA
5	2001-000890	R534	R-CARBON	6.8KOHM,5%,1/8W,AA,TP,1.8X3.2MM	SA
5	2001-000995	R535	R-CARBON	820OHM,5%,1/8W,AA,TP,1.8X3.2MM	SA
5	2004-000825	R536	R-METAL	36Kohm,1%,1/4W,AB,TP,2.4x6.4mm	△ SA
5	2004-000218	R537	R-METAL	10Kohm,1%,1/8W,AA,TP,1.8x3.2mm	△ SA
5	2004-000284	R538	R-METAL	12Kohm,1%,1/4W,AA,TP,2.4x6.4mm	△ SA
5	2001-000008	R539	R-CARBON	15KOHM,5%,1/8W,AA,TP,1.8X3.2MM	△ SA
5	2004-000458	R540	R-METAL	2.2Kohm,1%,1/4W,AA,TP,2.4x6.4m	△ SA
5	2001-000645	R541	R-CARBON	330KOHM,5%,1/8W,AA,TP,1.8X3.2MM	SA
5	2001-000273	R542	R-CARBON	100KOHM,5%,1/8W,AA,TP,1.8X3.2MM	SA
5	2001-000281	R551	R-CARBON	100OHM,5%,1/8W,AA,TP,1.8X3.2MM	SA
5	2001-000530	R553	R-CARBON	240KOHM,5%,1/4W,AA,TP,2.4X6.4MM	SA
5	2001-000537	R554	R-CARBON	24KOHM,5%,1/4W,AA,TP,2.4X6.4MM	SA
5	2001-000042	R555	R-CARBON	1KOHM,5%,1/4W,AA,TP,2.4X6.4MM	SA
5	2001-001113	R556	R-CARBON(S)	270KOHM,5%,1/2W,AA,TP,2.4X6.4MM	SA
5	2001-000316	R557	R-CARBON	120KOHM,5%,1/2W,AA,TP,3.3X9MM	SA
5	2001-000316	R558	R-CARBON	120KOHM,5%,1/2W,AA,TP,3.3X9MM	SA
5	2003-000650	R561	R-METAL OXIDE(S)	330ohm,5%,2W,AA,TP,4x12mm	SA
5	2001-001129	R601	R-CARBON(S)	330KOHM,5%,1/2W,AA,TP,2.4X6.4MM	SA
5	2001-001129	R602	R-CARBON(S)	330KOHM,5%,1/2W,AA,TP,2.4X6.4MM	SA
5	2003-000738	R603	R-METAL OXIDE(S)	56Kohm,5%,2W,AA,TP,4x12mm	SA
5	2003-000014	R604	R-METAL OXIDE(S)	10Kohm,5%,3W,AA,TP,6x16mm	SA
5	2002-001103	R605	R-COMPOSITION	300Kohm,5%,1/2W,AA,TP,3.7x10.0mm	SA
5	2002-001103	R606	R-COMPOSITION	300Kohm,5%,1/2W,AA,TP,3.7x10.0mm	SA
5	2001-001116	R607	R-CARBON(S)	270HM,5%,1/2W,AA,TP,2.4X6.4MM	SA
5	2001-000734	R608	R-CARBON	4.7KOHM,5%,1/8W,AA,TP,1.8X3.2MM	SA
5	2001-000780	R609	R-CARBON	470OHM,5%,1/8W,AA,TP,1.8X3.2MM	SA
5	2001-000281	R610	R-CARBON	100OHM,5%,1/8W,AA,TP,1.8X3.2MM	SA
5	BH39-40305U	R611	CBF HARNESS	52MM,AWG22(0.6PI),-,-,AWG22(0.	SA
5	2001-000023	R621	R-CARBON	470HM,5%,1/4W,AA,TP,2.4X6.4MM	SA
5	2001-000027	R622	R-CARBON	100OHM,5%,1/4W,AA,TP,2.4X6.4MM	SA
5	2001-000613	R623	R-CARBON	3.9KOHM,5%,1/8W,AA,TP,1.8X3.2MM	SA
5	2001-000429	R624	R-CARBON	1KOHM,5%,1/8W,AA,TP,1.8X3.2MM	SA
5	BH39-40305U	R625	CBF HARNESS	52MM,AWG22(0.6PI),-,-,AWG22(0.	SA
5	2001-000290	R626	R-CARBON	10KOHM,5%,1/8W,AA,TP,1.8X3.2MM	SA
5	2001-001088	R628	R-CARBON(S)	1KOHM,5%,1/2W,AA,TP,2.4X6.4MM	SA
5	2001-000786	R629	R-CARBON	47KOHM,5%,1/8W,AA,TP,1.8X3.2MM	SA
5	2001-000062	R630	R-CARBON	470OHM,5%,1/4W,AA,TP,2.4X6.4MM	SA
5	2003-000471	R631	R-METAL OXIDE(S)	10ohm,5%,2W,AA,TP,4x12mm	SA
5	4715-001055	SK561	SURGE ABSORBER	1kV,+50-10%,-,-,RADIAL	SNA
5	6042-000002	TP501	EYELET	ID1.5,OD2.1,2.8,NI+SN,BSP3-1/2H	SNA
5	2801-000006	X201	CRYSTAL-UNIT	12MHz,50ppm,28-AA,M,S,35ohm,BK	SA
5	0403-000348	ZD201	DIODE-ZENER	UZ36B,33-39V,500MW,DO-35,TP	SA
5	0403-001068	ZD202	DIODE-ZENER	UZ4.7BSA,4.44-4.68V,500MW,DO-34,TP	SA
5	0403-000361	ZD211	DIODE-ZENER	UZ6.2BSB,5.96-6.27V,500MW,DO-34,TP	SA
5	0403-000361	ZD212	DIODE-ZENER	UZ6.2BSB,5.96-6.27V,500MW,DO-34,TP	SA
5	0403-000361	ZD213	DIODE-ZENER	UZ6.2BSB,5.96-6.27V,500MW,DO-34,TP	SA
5	0403-000361	ZD214	DIODE-ZENER	UZ6.2BSB,5.96-6.27V,500MW,DO-34,TP	SA
5	0403-000361	ZD221	DIODE-ZENER	UZ6.2BSB,5.96-6.27V,500MW,DO-34,TP	SA
5	0403-000361	ZD222	DIODE-ZENER	UZ6.2BSB,5.96-6.27V,500MW,DO-34,TP	SA
5	0403-000361	ZD223	DIODE-ZENER	UZ6.2BSB,5.96-6.27V,500MW,DO-34,TP	SA
5	0403-000361	ZD224	DIODE-ZENER	UZ6.2BSB,5.96-6.27V,500MW,DO-34,TP	SA
5	0403-000361	ZD225	DIODE-ZENER	UZ6.2BSB,5.96-6.27V,500MW,DO-34,TP	SA
5	0403-000361	ZD226	DIODE-ZENER	UZ6.2BSB,5.96-6.27V,500MW,DO-34,TP	SA
5	0403-000361	ZD241	DIODE-ZENER	UZ6.2BSB,5.96-6.27V,500MW,DO-34,TP	SA
5	0403-000361	ZD242	DIODE-ZENER	UZ6.2BSB,5.96-6.27V,500MW,DO-34,TP	SA

Level	Loc. No.	Code No.	Description	Specification	Remarks
5	0403-000355	ZD514	DIODE-ZENER	UZ5.1BSB,5-5.2V,500MW,DO-35,TP	SA
5	0403-001221	ZD601	DIODE-ZENER	UZ39BSB,35.36-37.19V,500MW,DO-34,TP	SA
5	0403-000361	ZD602	DIODE-ZENER	UZ6.2BSB,5.96-6.27V,500MW,DO-34,TP	SA
4	BH99-00006A	HS451	ASSY HEAT/SINK	H/S,SCREW+NUT,IRF630,-,-,OIL SILICON,-,-	SNA
5	0205-001027	CIS	OIL-SILICON	G746,-,-	SNA
5	0505-001309	CIS	FET-SILICON	IRF630,N,200V,10A,0.4OHM,100W,TO-220	SA
5	6006-001008	CIS	SCREW-ASS'Y MACH	WSP,BH,+ ,M3,L10,ZPC(YEL),SWRCH	SNA
5	6021-000118	CIS	NUT-HEXAGON	1C,M3,ZPC(YEL),SM20C	SNA
5	BH62-30024A	CIS	HEAT SINK-TR	SPC,T1,SN,CFX1577L	SNA
4	BN61-01137A	CIS16	SUPPORT-CLIP	IBM E74,NYLON 66,1.0,NTR	SNA
4	BP96-00064C	HS601	ASSY HEAT SINK P	BH62-00004A,SPRING,8S0765RC,RUBBER SILICON	SNA
5	BH13-00045A	CIS	IC HYBRID	FS8S0765RCYDTU,CU17KS,5,-25 to 85,TO-220(FORMING),35,ST	SA
5	BH61-00004A	CIS	SPRING ETC-TR	CDA,CDB,SUS304,-,-,-,-,TO.5,-,-,-	SNA
5	BH62-00004A	CIS	HEAT SINK-POWER	- ,T1,- ,A1050S,DA/DB	SNA
5	BH62-20001B	CIS	TUBE-RUBBER	CS04357,W25*L20*TO.45,-,-,-,-	SNA
4	BP96-00065B	HS301	ASSY HEAT SINK P	BH62-00003B,SPRING,STV9325,OIL SILICON	SNA
5	0205-001027	H/S	OIL-SILICON	G746,-,-	SNA
5	1204-002262	H/S	IC-VERTICAL DEF.	STV9325,HEPTAWATT,7P,15.45x10.22mm,PLASTIC,35V,-,-,40to+150C,ST,IC-VERTICAL DEF.	SNA
5	6003-000334	H/S	SCREW-TAPTITE	RH,+ ,2S,M3,L6,ZPC(YEL),SWRCH18	SNA
5	BH62-00003B	H/S	HEAT SINK-VERT	A1050S,T1.0,T1.0,- ,DA,DB	SNA
4	BP96-00066S	HS490	ASSY HEAT SINK P	BH62-00015A,SPRING,KTD2058,FF06F150S,ST2310HI,OIL SILICON	SNA
5	0205-001027	H/S	OIL-SILICON	G746,-,-	SNA
5	0402-001386	H/S	DIODE-RECTIFIER	FFPF06F150S,1500V,6A,DO-214AB,ST	SA
5	0502-000465	H/S	TR-POWER	KTD2058,NPN,25000mW,TO-220IS,ST,100-200	SA
5	0502-001225	H/S	TR-POWER	ST2310HI,NPN,55000MW,ISOWATT218,ST,6.5-9.5	SA
5	BH61-00004A	H/S	SPRING ETC-TR	CDA,CDB,SUS304,-,-,-,-,TO.5,-,-,-	SNA
5	BH61-70003A	H/S	SPRING ETC	CVT4857,STS304-W1/2H,W3.8,- ,L30,L30,- ,TO.5,DEGRE,W3.8,STS304-W1/2H	SNA
5	BH62-00015A	H/S	HEAT SINK-FBT	A1050S,T1.0,T1.0,-,-	SNA
4	BP96-00072E	HS590	ASSY HEAT SINK P	H/S TR,SPRING,IRF630,OIL SILICON	SNA
5	0205-001027	CIS	OIL-SILICON	G746,-,-	SNA
5	0505-001309	CIS	FET-SILICON	IRF630,N,200V,10A,0.4OHM,100W,TO-220	SA
5	BH61-00004A	CIS	SPRING ETC-TR	CDA,CDB,SUS304,-,-,-,-,TO.5,-,-,-	SNA
5	BH62-00016A	CIS	HEAT SINK-TR	A1050S,T1.0,- ,DP17M0	SNA
2	BH91-00970A	-	ASSY CDT-SC	LEO	SNA
3	0201-001576	CDT	ADHESIVE-RBR	DC-3140_RTV#0414,TRP,-,-	SNA
3	0203-000005	CDT	TAPE-ACETATE	SGT730,TO.26,W19,L3000,BLK	SNA
3	3302-000006	CDT	MAGNET-RUBBER	AF,14G,1620-1980G,0.58-0.9MGOe	SA
3	3309-000002	CDT	MAGNET-SHEET	5x20x80mm,UL94V-0,2	SA
3	BH03-00070A	CDT	CDT-SC	M41QAR361X115(T4),70,17,0.27,29.1,FST,H/C,NH,TCO,TILT,4	SA
3	BH68-30003C	CDT	LABEL-00,HIGH,VOLTAGE	SS,ART100G,30*33,YEL	SNA
3	BH96-00292A	CDT	ASSY D-COIL P	17 inch,BH27-00148A,BH96-00289A	SNA

7-2-2 LE17LS(LE17LT) SN Video PCB Parts

Level	Loc. No.	Code No.	Description	Specification	Remarks
3	BH94-00888B	-	ASSY PCB VIDEO	T117JOIJ	SNA
4	BH63-00131A	CIS1	SHIELD-VIDEO	LE17KS,SPT,E,TO.2	SNA
4	6502-000001	CIS10	CABLE CLAMP	DAWH-5NB,D15,L35,NYLON66,NTR	SNA
4	0204-001527	CIS3	FLUX	DF-201TVS,MIX,0.820,FLUX13%,14KG	SNA
4	0204-000442	CIS4	SOLVENT	1M-1000,C3H7OH,96,-	SNA
4	BH68-00001A	CIS40	LABEL-MARK CDT	ART-PAPER100G,-,WHT,BLK,-,ALL,CDT	SNA
4	BH61-70003A	CIS5	SPRING ETC	CVT4857,STS304-W1/2H,W3.8,-,L30,L30,-,TO.5,DEGRE,W3.8,STS304-W1/2H	SNA
4	3711-004236	CN101	CONNECTOR-HEADER	BOX,6P,1R,2MM,STRAIGHT,SN	SNA
4	BH39-00015A	CN102	CBF-HARNESS	13P/14P,200MM,WHT/BLK/RED/BLU,UL1007,AWG26,SMH200-13/YBNH200-14	SA
4	BH13-00050A	IC102	IC HYBRID	NT6813K-30031,NT6813K-30031,24P,-55 to +150,240mA,-0.5 to 6V,ST	SA
4	3704-001170	SK101	SOCKET-CRT	10P,22.5PI,25.6PI,NI+SN,-	SA
4	BH96-00283A	HS106	ASSY HEAT SINK P	BH62-00054A,SCREW,STV9588,OIL SILICON,BRKT-VIDEO	SNA
5	0205-001027	H/S	OIL-SILICON	G746,-,-	SNA
5	1201-002113	H/S	IC-VIDEO AMP	SAM9588,CLIPWATT,19P,19.85x10.7mm,-,-26,PLASTIC,110V,3W,0to+70C,-,-,-,-,ST	SA
5	6003-000333	H/S	SCREW-TAPTITE	RH,+ 2S,M3,L10,ZPC(YEL),SWRCH1	SNA
5	BH61-00048A	H/S	BRACKET-VIDEO	andromeda,SECC,0.8	SNA
5	BH62-00054A	H/S	HEAT SINK-PS	LEO,A1050S,2.0,112,25	SNA
4	BH97-00512A	-	ASSY AUTO-(VIDEO)ST	LE17JS	SNA
5	3301-001450	BD102	BEAD-AXIAL	45ohm,3.5x0.6x5.7mm,50mA,TP,,,	SNA
5	3301-001450	BD103	BEAD-AXIAL	45ohm,3.5x0.6x5.7mm,50mA,TP,,,	SNA
5	3301-001450	BD104	BEAD-AXIAL	45ohm,3.5x0.6x5.7mm,50mA,TP,,,	SNA
5	3301-001450	BD105	BEAD-AXIAL	45ohm,3.5x0.6x5.7mm,50mA,TP,,,	SNA
5	3301-001450	BD106	BEAD-AXIAL	45ohm,3.5x0.6x5.7mm,50mA,TP,,,	SNA
5	3301-001450	BD107	BEAD-AXIAL	45ohm,3.5x0.6x5.7mm,50mA,TP,,,	SNA
5	2301-000014	C101	C-FILM,LEAD-PEF	6.8nF,5%,100V,TP,5.8x12.5mm,5m	SA
5	2401-000025	C103	C-AL	100uF,20%,16V,GP,TP,6.3x11.5	SA
5	2401-000603	C104	C-AL	1UF,20%,50V,GP,TP,5X11,2	SA
5	2201-000376	C105	C-CERAMIC,DISC	0.22NF,5%,50V,SL,TP,6.3X3.5MM,5	SA
5	2201-000019	C106	C-CERAMIC,DISC	10nF,+80-20%,500V,Y5V,TP,13.5x4mm,5	SA
5	2401-002463	C111	C-AL	470uF,20%,16V,GP,TP,8x11.5,5	SA
5	2201-000119	C112	C-CERAMIC,DISC	100NF,+80-20%,50V,Y5V,TP,8X3MM,5	SA
5	2401-003036	C113	C-AL	100uF,20%,16V,GP,TP,5X11mm,5mm	SA
5	2201-000119	C114	C-CERAMIC,DISC	100NF,+80-20%,50V,Y5V,TP,8X3MM,5	SA
5	2401-003036	C115	C-AL	100uF,20%,16V,GP,TP,5X11mm,5mm	SA
5	2202-002009	C116	C-CERAMIC,MLC-AXIAL	100NF,+80-20%,50V,Y5V,TP,2.3X3.0MM,-	SA
5	2202-002008	C117	C-CERAMIC,MLC-AXIAL	10nF,+80-20%,50V,Y5V,TP,2.3X3	SA
5	2202-002009	C118	C-CERAMIC,MLC-AXIAL	100NF,+80-20%,50V,Y5V,TP,2.3X3.0MM,-	SA
5	2401-003036	C119	C-AL	100uF,20%,16V,GP,TP,5X11mm,5mm	SA
5	2202-002009	C120	C-CERAMIC,MLC-AXIAL	100NF,+80-20%,50V,Y5V,TP,2.3X3.0MM,-	SA
5	2202-002009	C121	C-CERAMIC,MLC-AXIAL	100NF,+80-20%,50V,Y5V,TP,2.3X3.0MM,-	SA
5	2401-003036	C122	C-AL	100uF,20%,16V,GP,TP,5X11mm,5mm	SA
5	2301-000010	C123	C-FILM,LEAD-PEF	100nF,5%,100V,TP,11.5x12.5mm,5	SA
5	2401-001218	C124	C-AL	4.7uF,20%,100V,WT,TP,5x11,5	SA
5	2202-002009	C125	C-CERAMIC,MLC-AXIAL	100NF,+80-20%,50V,Y5V,TP,2.3X3.0MM,-	SA
5	2201-000019	C131	C-CERAMIC,DISC	10nF,+80-20%,500V,Y5V,TP,13.5x4mm,5	SA
5	2201-002147	C132	C-CERAMIC,DISC	2.7NF,10%,500V,Y5P,TP,10X4MM,5	SA
5	2201-000288	C133	C-CERAMIC,DISC	1NF,10%,2KV,Y5P,TP,9X5MM,7.5	SA
5	2202-002009	CB01	C-CERAMIC,MLC-AXIAL	100NF,+80-20%,50V,Y5V,TP,2.3X3.0MM,-	SA
5	2301-000010	CB03	C-FILM,LEAD-PEF	100nF,5%,100V,TP,11.5x12.5mm,5	SA
5	2401-003911	CB04	C-AL	1uF,20%,160V,BP,TP,6.3x11mm,5	SA
5	2202-002009	CG01	C-CERAMIC,MLC-AXIAL	100NF,+80-20%,50V,Y5V,TP,2.3X3.0MM,-	SA
5	2301-000010	CG03	C-FILM,LEAD-PEF	100nF,5%,100V,TP,11.5x12.5mm,5	SA
5	2401-003911	CG04	C-AL	1uF,20%,160V,BP,TP,6.3x11mm,5	SA
5	0203-001199	CIS6	TAPE-KRAFT	#53110,TO.1,W6,L2000M,BRN	SNA

Level	Loc. No.	Code No.	Description	Specification	Remarks
5	0203-001200	CIS7	TAPE-PAPER	#53128,T0.15,W5.5,L2000M,BEIGE	SNA
5	BH71-40300A	CN_G2	PIN-HINGE	BRASS,D2.361,HEAT/SINK,SN	SNA
5	BH71-40300A	CN_GND	PIN-HINGE	BRASS,D2.361,HEAT/SINK,SN	SNA
5	2202-002009	CR01	C-CERAMIC,MLC-AXIAL	100NF,+80-20%,50V,Y5V,TP,2.3X3.0MM,-	SA
5	2301-000010	CR03	C-FILM,LEAD-PEF	100nF,5%,100V,TP,11.5x12.5mm,5	SA
5	2401-003911	CR04	C-AL	1uF,20%,160V,BP,TP,6.3x11mm,5	SA
5	0401-000005	DB01	DIODE-SWITCHING	1N4148,75V,150MA,DO-35,TP	SA
5	0401-000005	DB02	DIODE-SWITCHING	1N4148,75V,150MA,DO-35,TP	SA
5	0401-000004	DB03	DIODE-SWITCHING	1SS244,220V,200MA,DO-34,TP	SA
5	0401-000004	DB04	DIODE-SWITCHING	1SS244,220V,200MA,DO-34,TP	SA
5	0401-000004	DB05	DIODE-SWITCHING	1SS244,220V,200MA,DO-34,TP	SA
5	0401-000005	DG01	DIODE-SWITCHING	1N4148,75V,150MA,DO-35,TP	SA
5	0401-000005	DG02	DIODE-SWITCHING	1N4148,75V,150MA,DO-35,TP	SA
5	0401-000004	DG03	DIODE-SWITCHING	1SS244,220V,200MA,DO-34,TP	SA
5	0401-000004	DG04	DIODE-SWITCHING	1SS244,220V,200MA,DO-34,TP	SA
5	0401-000004	DG05	DIODE-SWITCHING	1SS244,220V,200MA,DO-34,TP	SA
5	0401-000005	DR01	DIODE-SWITCHING	1N4148,75V,150MA,DO-35,TP	SA
5	0401-000005	DR02	DIODE-SWITCHING	1N4148,75V,150MA,DO-35,TP	SA
5	0401-000004	DR03	DIODE-SWITCHING	1SS244,220V,200MA,DO-34,TP	SA
5	0401-000004	DR04	DIODE-SWITCHING	1SS244,220V,200MA,DO-34,TP	SA
5	0401-000004	DR05	DIODE-SWITCHING	1SS244,220V,200MA,DO-34,TP	SA
5	6042-000001	EY1	EYELET	ID2.2,OD2.7,L3.1,NI+SN,BSP3-1/2H	SNA
5	6042-000001	EY2	EYELET	ID2.2,OD2.7,L3.1,NI+SN,BSP3-1/2H	SNA
5	6042-000002	EY3	EYELET	ID1.5,OD2.L2.8,NI+SN,BSP3-1/2H	SNA
5	6042-000002	EY4	EYELET	ID1.5,OD2.L2.8,NI+SN,BSP3-1/2H	SNA
5	6042-000002	EY5	EYELET	ID1.5,OD2.L2.8,NI+SN,BSP3-1/2H	SNA
5	BH39-40305U	JP101	CBF HARNESS	52MM,AWG22(0.6PI),-,-,AWG22(0.	SA
5	BH39-40305U	JP102	CBF HARNESS	52MM,AWG22(0.6PI),-,-,AWG22(0.	SA
5	BH39-40305U	JP103	CBF HARNESS	52MM,AWG22(0.6PI),-,-,AWG22(0.	SA
5	BH39-40305U	JP104	CBF HARNESS	52MM,AWG22(0.6PI),-,-,AWG22(0.	SA
5	2701-000172	LB01	INDUCTOR-AXIAL	0.33uH,10%,3070	SA
5	2701-000172	LB02	INDUCTOR-AXIAL	0.33uH,10%,3070	SA
5	2701-000172	LG01	INDUCTOR-AXIAL	0.33uH,10%,3070	SA
5	2701-000172	LG02	INDUCTOR-AXIAL	0.33uH,10%,3070	SA
5	2701-000172	LR01	INDUCTOR-AXIAL	0.33uH,10%,3070	SA
5	2701-000172	LR02	INDUCTOR-AXIAL	0.33uH,10%,3070	SA
5	BH41-00269A	MP1.0	PCB-VIDEO	LE17JS,FR-1,1,1.0,1.6T,81.7*123.5,LE17,6,VIDEO	SNA
5	2001-000076	R101	R-CARBON	47KOHM,5%,1/4W,AA,TP,2.4X6.4MM	SA
5	2001-000857	R102	R-CARBON	560OHM,5%,1/8W,AA,TP,1.8X3.2MM	SA
5	2001-000429	R103	R-CARBON	1KOHM,5%,1/8W,AA,TP,1.8X3.2MM	SA
5	2001-000702	R104	R-CARBON	39KOHM,5%,1/8W,AA,TP,1.8X3.2MM	SA
5	2001-000331	R105	R-CARBON	12KOHM,5%,1/8W,AA,TP,1.8X3.2MM	SA
5	2001-000429	R106	R-CARBON	1KOHM,5%,1/8W,AA,TP,1.8X3.2MM	SA
5	2001-000016	R107	R-CARBON(S)	10HM,5%,1/2W,AA,TP,2.4X6.4MM	SA
5	2001-000435	R111	R-CARBON	1MOHM,5%,1/8W,AA,TP,1.8X3.2MM	SA
5	2001-000812	R112	R-CARBON	5.6KOHM,5%,1/8W,AA,TP,1.8X3.2MM	SA
5	2001-000429	R113	R-CARBON	1KOHM,5%,1/8W,AA,TP,1.8X3.2MM	SA
5	2001-000429	R114	R-CARBON	1KOHM,5%,1/8W,AA,TP,1.8X3.2MM	SA
5	2001-000290	R121	R-CARBON	10KOHM,5%,1/8W,AA,TP,1.8X3.2MM	SA
5	2003-000419	R122	R-METAL OXIDE(S)	1.2ohm,5%,1W,AA,TP,3.3x9mm	SA
5	2001-001138	R131	R-CARBON(S)	390OHM,5%,1/2W,AA,TP,2.4X6.4MM	SA
5	2001-000037	R132	R-CARBON(S)	330OHM,5%,1/2W,AA,TP,2.4X6.4MM	SA
5	2001-000969	RB01	R-CARBON	750HM,5%,1/8W,AA,TP,1.8X3.2MM	SA
5	2001-000969	RB02	R-CARBON	750HM,5%,1/8W,AA,TP,1.8X3.2MM	SA
5	2001-000241	RB03	R-CARBON	1.5KOHM,5%,1/8W,AA,TP,1.8X3.2MM	SA
5	2001-001026	RB04	R-CARBON	910OHM,5%,1/8W,AA,TP,1.8X3.2MM	SA

Level	Loc. No.	Code No.	Description	Specification	Remarks
5	2001-000117	RB06	R-CARBON(S)	680HM,5%,1/2W,AA,TP,2.4X6.4MM	SA
5	2001-001161	RB07	R-CARBON(S)	560KOHM,5%,1/2W,AA,TP,2.4X6.4MM	SA
5	2001-000117	RB08	R-CARBON(S)	680HM,5%,1/2W,AA,TP,2.4X6.4MM	SA
5	2001-000734	RB09	R-CARBON	4.7KOHM,5%,1/8W,AA,TP,1.8X3.2MM	SA
5	2001-000969	RG01	R-CARBON	750HM,5%,1/8W,AA,TP,1.8X3.2MM	SA
5	2001-000969	RG02	R-CARBON	750HM,5%,1/8W,AA,TP,1.8X3.2MM	SA
5	2001-000241	RG03	R-CARBON	1.5KOHM,5%,1/8W,AA,TP,1.8X3.2MM	SA
5	2001-001026	RG04	R-CARBON	9100HM,5%,1/8W,AA,TP,1.8X3.2MM	SA
5	2001-000117	RG06	R-CARBON(S)	680HM,5%,1/2W,AA,TP,2.4X6.4MM	SA
5	2001-001161	RG07	R-CARBON(S)	560KOHM,5%,1/2W,AA,TP,2.4X6.4MM	SA
5	2001-000117	RG08	R-CARBON(S)	680HM,5%,1/2W,AA,TP,2.4X6.4MM	SA
5	2001-000734	RG09	R-CARBON	4.7KOHM,5%,1/8W,AA,TP,1.8X3.2MM	SA
5	2001-000969	RR01	R-CARBON	750HM,5%,1/8W,AA,TP,1.8X3.2MM	SA
5	2001-000969	RR02	R-CARBON	750HM,5%,1/8W,AA,TP,1.8X3.2MM	SA
5	2001-000241	RR03	R-CARBON	1.5KOHM,5%,1/8W,AA,TP,1.8X3.2MM	SA
5	2001-001026	RR04	R-CARBON	9100HM,5%,1/8W,AA,TP,1.8X3.2MM	SA
5	2001-000117	RR06	R-CARBON(S)	680HM,5%,1/2W,AA,TP,2.4X6.4MM	SA
5	2001-001161	RR07	R-CARBON(S)	560KOHM,5%,1/2W,AA,TP,2.4X6.4MM	SA
5	2001-000117	RR08	R-CARBON(S)	680HM,5%,1/2W,AA,TP,2.4X6.4MM	SA
5	2001-000734	RR09	R-CARBON	4.7KOHM,5%,1/8W,AA,TP,1.8X3.2MM	SA
5	1405-001064	SK104	SURGE ABSORBER	400V,20%,-,-,AXIAL	SA
5	4715-001065	SK105	SURGE ABSORBER	200V,20%,-,-,RADIAL	SNA
5	4715-001055	SK108	SURGE ABSORBER	1kV,+50-10%,-,-,RADIAL	SNA
5	4715-001065	SKB01	SURGE ABSORBER	200V,20%,-,-,RADIAL	SNA
5	4715-000102	SKG01	SURGE ABSORBER	200V,20%,1000A,-,RADIAL	SNA
5	4715-000102	SKR01	SURGE ABSORBER	200V,20%,1000A,-,RADIAL	SNA
5	0403-000361	ZD102	DIODE-ZENER	UZ6.2BSB,5.96-6.27V,500MW,DO-34,TP	SA
5	0403-000361	ZD103	DIODE-ZENER	UZ6.2BSB,5.96-6.27V,500MW,DO-34,TP	SA
5	0403-000361	ZD104	DIODE-ZENER	UZ6.2BSB,5.96-6.27V,500MW,DO-34,TP	SA
5	0403-000509	ZD105	DIODE-ZENER	MTZJ5.6B,5.4-5.7V,500MW,DO-34,TP	SA
5	0403-000361	ZD106	DIODE-ZENER	UZ6.2BSB,5.96-6.27V,500MW,DO-34,TP	SA

7-2-3 LE17LS(LE17LT) SZ Video PCB Parts

Level	Loc. No.	Code No.	Description	Specification	Remarks
3	BH94-00997K	-	ASSY PCB VIDEO-SZ	LEO	SNA
4	2201-000288	BOTTOM	C-CERAMIC,DISC	1NF,10%,2KV,Y5P,TP,9X5MM,7.5	SA
4	0202-001362	CIS1	SOLDER-WIRE	-,S63S,D3,63Sn/37Pb,-	SNA
4	6502-000001	CIS10	CABLE CLAMP	DAWH-5NB,D15,L35,NYLON66,NTR	SNA
4	0202-001366	CIS2	SOLDER-WIRE FLUX	-,RS60S,D1.2,63Sn/37Pb,-	SNA
4	0204-002420	CIS3	SOLVENT	1M-1000,C3H7OH,96,-,-	SNA
4	0204-002426	CIS4	FLUX	DF-201TVS,MIX,0.820,FLUX 13%, 14KG,-	SNA
4	BH63-00131A	CIS7	SHIELD-VIDEO	LE17KS,SPT,TO.2	SNA
4	BH68-00001A	CIS8	LABEL-MARK CDT	ART-PAPER 100G,-,WHT,BLK,-,ALL,CDT	SNA
4	3711-004236	CN101	CONNECTOR-HEADER	BOX,6P,1R,2MM,STRAIGHT,SN	SA
4	BH39-00015A	CN102	CBF-HARNESS	13P/14P,200MM,WHT/BLK/RED/BLU,JUL1007,AWG26,SMH200-13/YBNH200-14	SA
4	BH13-00053A	IC102	IC HYBRID-AMP/OSD	LM1236DEM,LE15V,24P,0 to +70,Plastic,200mA,4.75V to 5.25V,STICK	SA
4	BH13-00022A	IC104	IC HYBRID-BIAS CLAMP	LM2480NA,PN15H/17L,8P,0to+70C,DIP,3mA,85V,ST	SA
4	6003-001023	SH/VID+H/S	SCREW-TAPTITE	PVH,+B,M3,L10,ZPC(YEL),SWRCH18A,-	SNA
4	3704-001203	SK101	SOCKET-CRT	9P,29PI,22.5PI,NI+SN,-	SA

Level	Loc. No.	Code No.	Description	Specification	Remarks
4	BH96-00283C	HS106	ASSY HEAT SINK P	BH62-00054A,SCREW,LM2470TA,OIL SILICON	SNA
5	0205-001154	H/S	OIL-SILICON	G746,-,-	SNA
5	1201-002155	H/S	IC-VIDEO AMP	LM2470TA,TO-220,9P,-,-,-,PLASTIC,90V,4.3W,-20to+100C,-,-,-,-,ST	SA
5	6003-000334	H/S	SCREW-TAPTITE	RH,+2S,M3,L6,ZPC(YEL),SWRCH18	SNA
5	BH62-00054A	H/S	HEAT SINK-VIDEO	LEO,A1050S,2.0,112,25	SNA
4	BH97-00513P	-	ASSY AUTO-(VIDEO)SZ	LEO*	SNA
5	3301-001450	BD101	BEAD-AXIAL	45ohm,3.5x0.6x5.7mm,50mA,TP,,,	SNA
5	3301-001450	BD102	BEAD-AXIAL	45ohm,3.5x0.6x5.7mm,50mA,TP,,,	SNA
5	3301-001450	BD104	BEAD-AXIAL	45ohm,3.5x0.6x5.7mm,50mA,TP,,,	SNA
5	2301-000010	C101	C-FILM,LEAD-PEF	100nF,5%,100V,TP,11.5x12.5mm,5	SA
5	2401-002463	C103	C-AL	470uF,20%,16V,GP,TP,8x11.5,5	SA
5	2401-001340	C104	C-AL	0.47uF,20%,50V,WT,TP,5X11,5	SA
5	2201-000019	C106	C-CERAMIC,DISC	10nF,+80-20%,500V,Y5V,TP,13.5x4mm,5	SA
5	2401-000287	C111	C-AL	100uF,20%,16V,WT,TP,6.3x11,5	SA
5	2202-002009	C112	C-CERAMIC,MLC-AXIAL	100NF,+80-20%,50V,Y5V,TP,2.3X3.0MM,-	SA
5	2201-000119	C114	C-CERAMIC,DISC	100NF,+80-20%,50V,Y5V,TP,8X3MM,5	SA
5	2301-000294	C117	C-FILM,LEAD-PEF	56nF,5%,100V,TP,9.5x12.5mm,5mm	SA
5	2202-000121	C118	C-CERAMIC,MLC-AXIAL	100pF,10%,50V,Y5P,TP,1.9x3.5,-	SA
5	2301-000188	C119	C-FILM,LEAD-PEF	1nF,5%,100V,TP,10.5x12.5x6.5,5	SA
5	2202-000121	C120	C-CERAMIC,MLC-AXIAL	100pF,10%,50V,Y5P,TP,1.9x3.5,-	SA
5	2401-000287	C121	C-AL	100uF,20%,16V,WT,TP,6.3x11,5	SA
5	2202-002009	C122	C-CERAMIC,MLC-AXIAL	100NF,+80-20%,50V,Y5V,TP,2.3X3.0MM,-	SA
5	2301-000010	C123	C-FILM,LEAD-PEF	100nF,5%,100V,TP,11.5x12.5mm,5	SA
5	2401-000049	C124	C-AL	47uF,20%,100V,WT,TP,10x16,5	SA
5	2201-000119	C126	C-CERAMIC,DISC	100NF,+80-20%,50V,Y5V,TP,8X3MM,5	SA
5	2201-000119	C131	C-CERAMIC,DISC	100NF,+80-20%,50V,Y5V,TP,8X3MM,5	SA
5	2201-002110	C132	C-CERAMIC,DISC	1.8nF,10%,1kV,Y5P,TP,10x5mm,5	SA
5	2201-000288	C133	C-CERAMIC,DISC	1NF,10%,2KV,Y5P,TP,9X5MM,7.5	SA
5	2202-002009	CB01	C-CERAMIC,MLC-AXIAL	100NF,+80-20%,50V,Y5V,TP,2.3X3.0MM,-	SA
5	2202-002009	CB02	C-CERAMIC,MLC-AXIAL	100NF,+80-20%,50V,Y5V,TP,2.3X3.0MM,-	SA
5	2301-000010	CB03	C-FILM,LEAD-PEF	100nF,5%,100V,TP,11.5x12.5mm,5	SA
5	2401-003911	CB04	C-AL	1uF,20%,160V,BP,TP,6.3x11mm,5	SA
5	2202-000162	CB05	C-CERAMIC,MLC-AXIAL	0.015NF,5%,50V,SL,TP,3.5X1.9MM,-	SA
5	2202-002009	CG01	C-CERAMIC,MLC-AXIAL	100NF,+80-20%,50V,Y5V,TP,2.3X3.0MM,-	SA
5	2202-002009	CG02	C-CERAMIC,MLC-AXIAL	100NF,+80-20%,50V,Y5V,TP,2.3X3.0MM,-	SA
5	2301-000010	CG03	C-FILM,LEAD-PEF	100nF,5%,100V,TP,11.5x12.5mm,5	SA
5	2401-003911	CG04	C-AL	1uF,20%,160V,BP,TP,6.3x11mm,5	SA
5	2202-000162	CG05	C-CERAMIC,MLC-AXIAL	0.015NF,5%,50V,SL,TP,3.5X1.9MM,-	SA
5	0203-001599	CIS5	TAPE-KRAFT	#53110,0.16,2000M,BRN	SNA
5	0203-001600	CIS6	TAPE-PAPER	#53128,0.15,5.5,2000M,BEIGE	SNA
5	BH71-40300A	CN_G2	PIN-HINGE	BRASS,D2.36!,HEAT/SINK,SN	SNA
5	BH71-40300A	CN_GND	PIN-HINGE	BRASS,D2.36!,HEAT/SINK,SN	SNA
5	2202-002009	CR01	C-CERAMIC,MLC-AXIAL	100NF,+80-20%,50V,Y5V,TP,2.3X3.0MM,-	SA
5	2202-002009	CR02	C-CERAMIC,MLC-AXIAL	100NF,+80-20%,50V,Y5V,TP,2.3X3.0MM,-	SA
5	2301-000010	CR03	C-FILM,LEAD-PEF	100nF,5%,100V,TP,11.5x12.5mm,5	SA
5	2401-003911	CR04	C-AL	1uF,20%,160V,BP,TP,6.3x11mm,5	SA
5	2202-000162	CR05	C-CERAMIC,MLC-AXIAL	0.015NF,5%,50V,SL,TP,3.5X1.9MM,-	SA
5	0401-000005	DB01	DIODE-SWITCHING	1N4148,75V,150MA,DO-35,TP	SA
5	0401-000005	DB02	DIODE-SWITCHING	1N4148,75V,150MA,DO-35,TP	SA

7 Electrical Parts List

Level	Loc. No.	Code No.	Description	Specification	Remarks
5	0401-000004	DB03	DIODE-SWITCHING	1SS244,220V,200MA,DO-34,TP	SA
5	0401-000004	DB04	DIODE-SWITCHING	1SS244,220V,200MA,DO-34,TP	SA
5	0401-000004	DB05	DIODE-SWITCHING	1SS244,220V,200MA,DO-34,TP	SA
5	0401-000005	DG01	DIODE-SWITCHING	1N4148,75V,150MA,DO-35,TP	SA
5	0401-000005	DG02	DIODE-SWITCHING	1N4148,75V,150MA,DO-35,TP	SA
5	0401-000004	DG03	DIODE-SWITCHING	1SS244,220V,200MA,DO-34,TP	SA
5	0401-000004	DG04	DIODE-SWITCHING	1SS244,220V,200MA,DO-34,TP	SA
5	0401-000004	DG05	DIODE-SWITCHING	1SS244,220V,200MA,DO-34,TP	SA
5	0401-000005	DR01	DIODE-SWITCHING	1N4148,75V,150MA,DO-35,TP	SA
5	0401-000005	DR02	DIODE-SWITCHING	1N4148,75V,150MA,DO-35,TP	SA
5	0401-000004	DR03	DIODE-SWITCHING	1SS244,220V,200MA,DO-34,TP	SA
5	0401-000004	DR04	DIODE-SWITCHING	1SS244,220V,200MA,DO-34,TP	SA
5	0401-000004	DR05	DIODE-SWITCHING	1SS244,220V,200MA,DO-34,TP	SA
5	6042-000002	EY3	EYELET	ID1.5,OD2,L2.8,NI+SN,BSP3-1/2H	SNA
5	6042-000002	EY4	EYELET	ID1.5,OD2,L2.8,NI+SN,BSP3-1/2H	SNA
5	6042-000002	EY5	EYELET	ID1.5,OD2,L2.8,NI+SN,BSP3-1/2H	SNA
5	BH39-40305U	JP_17	CBF HARNESS	52MM,AWG22(0.6PI),-,AWG22(0.	SA
5	BH39-40305U	JP103	CBF HARNESS	52MM,AWG22(0.6PI),-,AWG22(0.	SA
5	BH39-40305U	JP106	CBF HARNESS	52MM,AWG22(0.6PI),-,AWG22(0.	SA
5	BH39-40305U	JP107	CBF HARNESS	52MM,AWG22(0.6PI),-,AWG22(0.	SA
5	BH39-40305U	JP108	CBF HARNESS	52MM,AWG22(0.6PI),-,AWG22(0.	SA
5	BH39-40305U	JP109	CBF HARNESS	52MM,AWG22(0.6PI),-,AWG22(0.	SA
5	BH39-40305U	JP110	CBF HARNESS	52MM,AWG22(0.6PI),-,AWG22(0.	SA
5	BH39-40305U	JP114	CBF HARNESS	52MM,AWG22(0.6PI),-,AWG22(0.	SA
5	BH39-40305U	JP115	CBF HARNESS	52MM,AWG22(0.6PI),-,AWG22(0.	SA
5	2701-000319	LB01	INDUCTOR-AXIAL	0.47UH,10%,3070	SA
5	2701-000319	LG01	INDUCTOR-AXIAL	0.47UH,10%,3070	SA
5	2701-000319	LR01	INDUCTOR-AXIAL	0.47UH,10%,3070	SA
5	BH41-00273A	MP1.0	PCB-VIDEO	LE15VS,FR1,1L,1.0,1.6T,123.5 * 82.3,VIDEO ASS,6,247*247	SNA
5	2001-000800	R102	R-CARBON	5.1KOHM,5%,1/8W,AA,TP,1.8X3.2MM	SA
5	2001-000429	R103	R-CARBON	1KOHM,5%,1/8W,AA,TP,1.8X3.2MM	SA
5	2001-000660	R105	R-CARBON	33KOHM,5%,1/8W,AA,TP,1.8X3.2MM	SA
5	2001-000429	R106	R-CARBON	1KOHM,5%,1/8W,AA,TP,1.8X3.2MM	SA
5	2001-000016	R107	R-CARBON(S)	10HM,5%,1/2W,AA,TP,2.4X6.4MM	SA
5	2001-000780	R108	R-CARBON	470OHM,5%,1/8W,AA,TP,1.8X3.2MM	SA
5	2001-000290	R111	R-CARBON	10KOHM,5%,1/8W,AA,TP,1.8X3.2MM	SA
5	2001-000878	R112	R-CARBON	6.2KOHM,5%,1/8W,AA,TP,1.8X3.2MM	SA
5	2001-000429	R113	R-CARBON	1KOHM,5%,1/8W,AA,TP,1.8X3.2MM	SA
5	2001-000429	R114	R-CARBON	1KOHM,5%,1/8W,AA,TP,1.8X3.2MM	SA
5	2001-001138	R131	R-CARBON(S)	390OHM,5%,1/2W,AA,TP,2.4X6.4MM	SA
5	2001-000037	R132	R-CARBON(S)	330OHM,5%,1/2W,AA,TP,2.4X6.4MM	SA
5	2001-000009	R134	R-CARBON	20KOHM,5%,1/8W,AA,TP,1.8X3.2MM	SA
5	2001-000084	R135	R-CARBON	100Kohm,5%,1/4W,AA,TP,2.4x6.4mm	SA
5	2001-000969	RB01	R-CARBON	750HM,5%,1/8W,AA,TP,1.8X3.2MM	SA
5	2001-000969	RB02	R-CARBON	750HM,5%,1/8W,AA,TP,1.8X3.2MM	SA
5	2001-000429	RB03	R-CARBON	1KOHM,5%,1/8W,AA,TP,1.8X3.2MM	SA
5	2001-001195	RB05	R-CARBON(S)	820HM,5%,1/2W,AA,TP,2.4X6.4MM	SA
5	2001-000429	RB06	R-CARBON	1KOHM,5%,1/8W,AA,TP,1.8X3.2MM	SA
5	2001-001129	RB07	R-CARBON(S)	330KOHM,5%,1/2W,AA,TP,2.4X6.4MM	SA

Level	Loc. No.	Code No.	Description	Specification	Remarks
5	2001-000376	RB08	R-CARBON	150HM,5%,1/8W,AA,TP,1.8X3.2MM	SA
5	2001-000117	RB09	R-CARBON(S)	68ohm,5%,1/2W,AA,TP,2.4x6.4mm	SA
5	2001-000969	RG01	R-CARBON	750HM,5%,1/8W,AA,TP,1.8X3.2MM	SA
5	2001-000969	RG02	R-CARBON	750HM,5%,1/8W,AA,TP,1.8X3.2MM	SA
5	2001-000429	RG03	R-CARBON	1KOHM,5%,1/8W,AA,TP,1.8X3.2MM	SA
5	2001-000028	RG05	R-CARBON(S)	100OHM,5%,1/2W,AA,TP,2.4X6.4MM	SA
5	2001-000429	RG06	R-CARBON	1KOHM,5%,1/8W,AA,TP,1.8X3.2MM	SA
5	2001-001129	RG07	R-CARBON(S)	330KOHM,5%,1/2W,AA,TP,2.4X6.4MM	SA
5	2001-000376	RG08	R-CARBON	150HM,5%,1/8W,AA,TP,1.8X3.2MM	SA
5	2001-001070	RG09	R-CARBON(S)	120OHM,5%,1/2W,AA,TP,2.4X6.4MM	SA
5	2001-000969	RR01	R-CARBON	750HM,5%,1/8W,AA,TP,1.8X3.2MM	SA
5	2001-000969	RR02	R-CARBON	750HM,5%,1/8W,AA,TP,1.8X3.2MM	SA
5	2001-000429	RR03	R-CARBON	1KOHM,5%,1/8W,AA,TP,1.8X3.2MM	SA
5	2001-000028	RR05	R-CARBON(S)	100OHM,5%,1/2W,AA,TP,2.4X6.4MM	SA
5	2001-000429	RR06	R-CARBON	1KOHM,5%,1/8W,AA,TP,1.8X3.2MM	SA
5	2001-001129	RR07	R-CARBON(S)	330KOHM,5%,1/2W,AA,TP,2.4X6.4MM	SA
5	2001-000376	RR08	R-CARBON	150HM,5%,1/8W,AA,TP,1.8X3.2MM	SA
5	2001-000028	RR09	R-CARBON(S)	100OHM,5%,1/2W,AA,TP,2.4X6.4MM	SA
5	4715-001076	SK104	SURGE ABSORBER	400V,20%,-,-,RADIAL	SNA
5	4715-001055	SK108	SURGE ABSORBER	1kV,+50-10%,-,-,RADIAL	SNA
5	4715-001065	SKB01	SURGE ABSORBER	200V,20%,-,-,RADIAL	SNA
5	4715-000102	SKG01	SURGE ABSORBER	200V,20%,1000A,-,RADIAL	SNA
5	4715-001065	SKR01	SURGE ABSORBER	200V,20%,-,-,RADIAL	SNA

7-2-4 LE17LS(LE17LT) Others

Level	Loc. No.	Code No.	Description	Specification	Remarks
2	BH90-00592A	-	ASSY COVER REAR	LE17JS,EDC	SNA
3	BH63-00130A	C/R	COVER-REAR	LE17KS,ABS HB,IV16	SNA
2	BH90-00598A	-	ASSY STAND	LE17JS/LE15VS,EDC	SNA
3	BH96-00272A	STD	ASSY STAND P	LE17KS,ABS HB IV16	SNA
4	6902-000109	STD	BAG PE	HDPE,T0.015,L430,W350,TRP,28,2,PE MARK	SNA
4	BH60-00030A	STD	FASTENER-BAND	PN17LT,ST+PVC,PO.4,-,150,YELLOW,-,-,-	SNA
4	BH61-00049A	STD	STAND-BASE	LE17KS,ABS HB,IV16	SNA
4	BH61-00050A	STD	STAND-TOP	LE17KS,ABS HB,IV16	SNA
4	BH61-40002A	STD	FOOT-RUBBER	-,NR,PMS428U,GA4237,-,-,-	SNA
4	BH63-30103A	STD	FELT-STAND	MCM1755,FELT,T1.0,W10,L4	SNA
4	BH68-20366A	STD	LABEL-MARK STAND	,ART PAPER100(S),WHT	SNA
4	BH68-70306A	STD	CARD-STAND	CVM4967PWS(SKD),WONSTROW,CHAIN	SNA
2	BH90-00686A	-	ASSY COVER FRONT	LEO	SNA
3	6003-000009	C/F+C/R	SCREW-TAPTITE	BH,+B,M4,L16,ZPC(YEL),SWRCH18	SNA
3	6006-001119	C/F+CDT	SCREW-ASS'Y TAPT	WC,BH,+M5,L25,ZPC(YEL),SWRCH18A	SNA

Level	Loc. No.	Code No.	Description	Specification	Remarks
3	BH96-00276B	C/F	ASSY COVER P-FRONT	LE17LS,ABS HB IV16	SNA
2	BH91-00870A	-	ASSY SHIELD	LE17JS	SNA
3	0201-001059	CIS	ADHESIVE-SIL	#9590,WHT,-,CARTRIGE	SNA
3	6003-001023	SH/COV+SH/BTM	SCREW-TAPTITE	RWH,+ ,B,M3,L10,ZPC(YEL),SWRCH1	SNA
3	BH96-00281A	CIS	ASSY MISC P-SHIELD COVER	LE17KS,SECC TO.5,AL TO.25	SNA
4	BH63-00132A	CIS	SHIELD-COVER TOP	LE17KS,AL,TO.25	SNA
4	BH63-00133A	CIS	SHIELD-COVER REAR	LE17KS,SECC,TO.5	SNA
4	BH63-00145A	CIS	SHEET-ANODE	LE17KS,PP V2,T1.0,WHITE	SNA
2	BH91-00969A	-	ASSY CHASSIS-SC	LEO	SNA
2	BH92-00894A	-	ASSY P/MATERIAL	TI17JO	SNA
3	0203-001100	P/M	TAPE-OPP MASKING	OPP/W75/CLR,TO.05,W75,L800000,CLR	SNA
3	0203-001159	P/M	TAPE-FILAMENT	#8915,TO.15,W12,L55000,CLR	SNA
3	6902-000001	P/M	BAG AIR	LDPE,TO.2,L1800,W1000,TRP,,,LDPE ONLY	SNA
3	6902-000379	P/M	BAG AIR	HDPE,TO.2,L1800,W1000,TRP,,,PAPER	SNA
3	6902-000523	P/M	BAG PE	HDPE,TO.015,W900,L800,TRP,28 LANGUAGE,2-	SNA
3	6902-000576	P/M	BAG ROLL	LDPE,TO.05,W2400,L1000,TRP,-,-	SNA
3	BH69-00563A	P/M	CUSHION	LE17LS,EPS M50,FST	SNA
3	BH69-40380A	P/M	PACKING-PAD	DW-2,500X2200X200,-,CGK5527	SNA
2	BH92-01093A	-	ASSY LABEL	LEO-PJT(15/17/19)	SNA
3	BH68-00565D	LABEL	LABEL RATING-00	ALL,SS,PE,TO.05,90*65,BLK,POLYESTER,EDC	SNA
2	BH92-01161A	-	ASSY BOX	LEO	SNA
3	BH68-00530A	BOX	LABEL BOX-01	LABEL-BARCODE,CE+TC003,MOJO 90G,WHT	SNA
3	BH69-00573A	BOX	BOX	S/M793S(LE17LS),W/W,CB-SW4,YEL,A-1,W452*D486*H435	SNA
2	BH92-01162A	-	ASSY ACCESSORY	LEO	SNA
3	BH96-00297A	UNIT/ACCESSORY	ASSY ACCESSORY	LEO	-
4	0203-000214	ACCESSORY	TAPE-OPP MASKING	OPP/W50/CLR,TO.05,W50,L400000,	SNA
4	6902-000110	ACCESSORY	BAG PE	LDPE,TO.05,L356,W240,TRP,28,2,PE MARK	SNA
4	BH39-10339H	ACCESSORY	CBF POWER CORD	DET,H05VV-F,250V/10,16A,BLK,25	SA
4	BH68-70418A	ACCESSORY	CARD-EU BLOC WARR-07	SyncMaster,BASIC,EU,MOJO,100G,	SNA
4	BH96-00296A	ACCESSORY	ASSY MANUAL P-IB+QSG	795DF,SyncMaster,W/W,27Lang,BH59-362A+BH68-376J	-
5	BH59-00362A	I/B	S/W DRIVER-00,IB	793S,795DF,W/W,SYNCMaster,27LANG	SNA
5	BH68-00376J	QUICK	MANUAL-01	AN_QUICK SETUP GUIDE,SYNCMaster,E/F/S/G/P/L.14LANGS,W/W,MOJO100G,298,420	SNA

7-3-1 LE17KS(LE17KT) Main PCB Parts

Level	Loc. No.	Code No.	Description	Specification	Remarks
0	LE17KSBB/EDC	-	1	SDI,HIGH-CON(DF-T)	-
1	ST-LE17KSBB/EDC	-			
3	BH94-00979B	-	ASSY PCB MAIN	LE17KS	SNA
4	2306-000234	C451	C-FILM,LEAD-PPF	560nF,5%,250V,BK,26x20x13,20	SA
4	2306-000147	C503	C-FILM,LEAD-PPF	1uF,5%,250V,BK,26x24x15,22.5mm	SA
4	2301-001195	C601	C-FILM,LEAD-PPF	150nF,10%,275VAC,BK,26x16.5x7,	SA
4	2301-001195	C602	C-FILM,LEAD-PPF	150nF,10%,275VAC,BK,26x16.5x7,	SA
4	2401-003391	C605	C-AL	220uF,20%,450V,GP,BK,25x50,10	SA
4	BH63-00134A	CIS1	SHIELD-BOTTOM	LE17KS,SECC,T1.0	SNA
4	BH39-00323D	CIS10	LEAD CONNECTOR-ASSY	OT17LO,8.0*0.16TA*16,150MM,35068-9822,35750-1010,BK,8.0*0.16TA*16	SA

Level	Loc. No.	Code No.	Description	Specification	Remarks
4	BH63-00143A	CIS3	COVER-PCB R	LE17KS,ABS PC,IV16	SNA
4	BH63-00144A	CIS4	COVER-PCB L	LE17KS,ABS PC,IV16	SNA
4	BH68-00001A	CIS40	LABEL-MARK CDT	ART-PAPER100G,-,WHT,BLK,-,ALL,CDT	SNA
4	0204-001527	CIS6	FLUX	DF-201TVS,MIX,0.820,FLUX13%,14KG	SNA
4	0204-000442	CIS7	SOLVENT	1M-1000,C3H7OH,96,-	SNA
4	3711-003895	CN201	CONNECTOR-HEADER	BOX,13P,1R,2mm,STRAIGHT,SN	SA
4	3711-003873	CN202	CONNECTOR-HEADER	BOX,7P,1R,2mm,STRAIGHT,SN	SA
4	3711-004379	CN203	CONNECTOR-HEADER	BOX,4P,1R,2MM,STRAIGHT,SN	SA
4	3711-005055	CN401	CONNECTOR-HEADER	1WALL,4P,1R,10MM/8.0MM,STRAIGHT,SN-PB,WHT	SA
4	3721-001053	CN601	PLUG-AC POWER	3P,-,NI	SNA
4	0402-001295	D405	DIODE-RECTIFIER	GUR460L-5700,600V,4A,DO-201AD,BK	SA
4	0402-001025	D406	DIODE-RECTIFIER	ERD07-15,1.5KV,1.5A,-,TP	SA
4	0402-001407	D601	DIODE-BRIDGE	G2SB60,600V,1.5A,SIP-4,BK	SA
4	0402-000005	D625	DIODE-RECTIFIER	13DF4,400V,3A,DO-201AD,BK	SA
4	6003-000122	FBT+H/S	SCREW-TAPTITE	BH,+ ,B,M4,L12,ZPC(YEL),SWRCH18	SNA
4	3601-001302	FH1	FUSE-AXIAL LEAD	250V,3.15A,SLOW-BLOW,CERAMIC,5X20MM	SA
4	BH63-00124A	HS401	SHIELD-IC	LE17KS,SPT,TO.2	SNA
4	6502-000001	HS490_CIS1	CABLE CLAMP	DAWH-5NB,D15,L35,NYLON66,NTR	SNA
4	6502-000001	HS490_CIS2	CABLE CLAMP	DAWH-5NB,D15,L35,NYLON66,NTR	SNA
4	3704-001071	IC201_SOCKET	SOCKET-IC	42P,DIP,SN,1.778mm	SA
4	1103-001106	IC241	IC-EEPROM	24C080,1Kx8Bit,DIP,8P,9.6x6.4mm,-,2.7/5.5V,-,-25to+70C,10uA,-,ST	△△SA
4	1204-002259	IC401	IC-DEF. PROCESSOR	STV9118,SDIP,32P,27.94x8.89mm,PLASTIC,13.2V,-,0to+70C,ST,IC-DEF. PROCESSOR	△△SNA
4	1203-003240	IC621	IC-POSI.FIXED REG.	L78M05,IPAK,3P,6.5x6.1mm,PLASTIC,4.75/5.25V,-,0to+150C,0.5A,-,ST	SA
4	1203-000243	IC622	IC-POSI.FIXED REG.	7812,TO-220,3P,-,PLASTIC,11.5/12.5V.,16W,0to+125C,1A,-,ST	SA
4	BH27-00135A	L411	COIL CHOKE	120UH,COTMO,120UH,10%,0.230HM,5A,AR8X25,65.5TS,18X40MM,11MM,JUSTCO.12X20,TR,-10CT	SA
4	BH27-00132A	L441	COIL LINEARITY	5.4UH,5.4UH,DR12X15 C:4.5,7MM,15X15X35MM,12X8T,23.0TS,TR,12%,0.030HM	SA
4	BH27-00134A	L501	COIL CHOKE	100UH,COTMO,100UH,10%,0.20HM,5.0A,AR8X25,60.5TS,18X40MM,11MM,JUSTCO.12X20,TR,-10C	SA
4	BH27-00007A	L601	COIL-LINE FILTER	SQE2424,25mH MIN,-,SQE 2424,-,PHENAL,-,-,0.32ohm,21*27*33,-,BULK	SA
4	6003-001023	M/PCB+SH/BTM	SCREW-TAPTITE	RWH,+ ,B,M3,L10,ZPC(YEL),SWRCH1	SNA
4	0505-001309	Q452	FET-SILICON	IRF630,N,200V,10A,0.40HM,100W,TO-220	SA
4	0505-001309	Q453	FET-SILICON	IRF630,N,200V,10A,0.40HM,100W,TO-220	SA
4	3501-001111	RL601	RELAY-POWER	12VDC,250MW,5000MA,1FORMA,15MS,5MS	SA
4	6003-000133	SH/BTM+AC/SOCK	SCREW-TAPTITE	BH,+ ,S,M4,L8,ZPC(YEL),SWRCH18A,-	SNA
4	BH39-00451A	SIGNAL	CBF SIGNAL	LE17JS,15P,06P,07P,20Z76-N,1830mm,UJ20Z76,BLACK,D-SUB /MALE,BLACK,30V,ATT. TYPE	SNA
4	BH26-00027A	T401	TRANS-HOR.DRIVE	FQB-17A001,PL-3,EI1916,310UH	△ SA
4	BH26-00171A	T501	TRANS FBT	CF2166,LE17JS,1.50mH,FERRITE,0.320HM,BULK,14P,-10--+60,26.3kV	△ SNA
4	BH26-00089A	T561	TRANS-FOCUS	EE-1916,AD1916,5P,1.7mH,-,105mH,-,0.85ohm,-,PL-3,DMR30,TP-3,J2A,-,-,-,-	SA
4	BH26-00164A	T601	TRANS POWER	ER-3435,CU17KS,350UH,15,90-264V,80V,10-55,FERRITE,ER-3435,0.05ohm/0.350ohm,8UH M	SA
4	BH26-00163A	T602	TRANS	UU-1116,CU17K,5,18mH min,18mH min,2.7ohm MAX,10 - 55,FERRITE,UU-1116 SB-5S	SA
4	1404-001264	TH601	THERMISTOR-PTC	4.5OHM,+30/-20%,220V,290VAC,21A,-,TR	SA
4	1404-001020	TH602	THERMISTOR-NTC	8ohm,15%,-,17mW/C,BK	SA
4	BH97-00505B	MICOM	ASSY MICOM	LE17JS	SA
5	BH82-00020H	CIS	A/S MICOM	LE17JS	SNA
5	0903-001194	IC201	IC-MICROCONTROLLER	3P863,8Bit,SDIP,42P,600MIL,12MHz,ST,CMOS,PLASTIC,5V,-,40to+85C,1040BYTE,48KBYTE	△△SNA
4	BH97-00511B	-	ASSY AUTO-(MAIN)	LE17KS	SNA
5	3301-001450	BD321	BEAD-AXIAL	45ohm,3.5x0.6x5.7mm,50mA,TP,,,	SNA
5	3301-001450	BD401	BEAD-AXIAL	45ohm,3.5x0.6x5.7mm,50mA,TP,,,	SNA
5	3301-001450	BD402	BEAD-AXIAL	45ohm,3.5x0.6x5.7mm,50mA,TP,,,	SNA
5	3301-001450	BD431	BEAD-AXIAL	45ohm,3.5x0.6x5.7mm,50mA,TP,,,	SNA
5	3301-001450	BD501	BEAD-AXIAL	45ohm,3.5x0.6x5.7mm,50mA,TP,,,	SNA
5	3301-001450	BD502	BEAD-AXIAL	45ohm,3.5x0.6x5.7mm,50mA,TP,,,	SNA
5	3301-001450	BD601	BEAD-AXIAL	45ohm,3.5x0.6x5.7mm,50mA,TP,,,	SNA
5	3301-001450	BD621	BEAD-AXIAL	45ohm,3.5x0.6x5.7mm,50mA,TP,,,	SNA
5	3301-001450	BD622	BEAD-AXIAL	45ohm,3.5x0.6x5.7mm,50mA,TP,,,	SNA
5	2202-002037	C201	C-CERAMIC,MLC-AXIAL	100nF,80-20%,50V,Y5V,TP,2.2x3.	SA
5	2202-000205	C202	C-CERAMIC,MLC-AXIAL	22pF,5%,50V,SL,TP,1.9x3.5,-	SA
5	2202-000205	C203	C-CERAMIC,MLC-AXIAL	22pF,5%,50V,SL,TP,1.9x3.5,-	SA
5	2401-000603	C204	C-AL	1UF,20%,50V,GP,TP,5X11,2	SA

Level	Loc. No.	Code No.	Description	Specification	Remarks
5	2202-000121	C205	C-CERAMIC,MLC-AXIAL	100pF,10%,50V,Y5P,TP,1.9x3.5,-	SA
5	2202-000796	C206	C-CERAMIC,MLC-AXIAL	1NF,10%,50V,Y5P,TP,3.5X1.9MM,-	SA
5	2202-000121	C207	C-CERAMIC,MLC-AXIAL	100pF,10%,50V,Y5P,TP,1.9x3.5,-	SA
5	2401-000603	C208	C-AL	1UF,20%,50V,GP,TP,5X11,2	SA
5	2401-000603	C209	C-AL	1UF,20%,50V,GP,TP,5X11,2	SA
5	2401-002299	C210	C-AL	4.7uF,20%,50V,GP,TP,5x7,5	SA
5	2401-002299	C211	C-AL	4.7uF,20%,50V,GP,TP,5x7,5	SA
5	2202-000205	C212	C-CERAMIC,MLC-AXIAL	22pF,5%,50V,SL,TP,1.9x3.5,-	SA
5	2401-002463	C301	C-AL	470uF,20%,16V,GP,TP,8x11.5,5	SA
5	2301-000148	C302	C-FILM,LEAD-PEF	10nF,5%,100V,TP,7x3.2x7mm,5mm	SA
5	2305-000665	C303	C-FILM,LEAD-PEF	100nF,5%,63V,TP,7.5x4.0x5.0mm,	SA
5	2301-000014	C304	C-FILM,LEAD-PEF	6.8nF,5%,100V,TP,5.8x12.5mm,5m	SA
5	2305-000289	C305	C-FILM,LEAD-PEF	220nF,5%,63V,TP,-,5mm	SA
5	2401-000852	C306	C-AL	220uF,20%,35V,GP,TP,8x11.5mm,5	SA
5	2202-002008	C307	C-CERAMIC,MLC-AXIAL	10nF,±80-20%,50V,Y5V,TP,2.3X3.	SA
5	2202-002037	C321	C-CERAMIC,MLC-AXIAL	100nF,80-20%,50V,Y5V,TP,2.2x3.	SA
5	2401-000480	C322	C-AL	10uF,20%,50V,GP,TP,5x11,5	SA
5	2305-000196	C331	C-FILM,LEAD-PEF	150nF,5%,63V,TP,-,5mm	SA
5	2305-000412	C332	C-FILM,LEAD-PEF	470nF,5%,63V,TP,-,5mm	SA
5	2401-002144	C333	C-AL	47uF,20%,16V,GP,TP,5x11,5	SA
5	2401-001334	C401	C-AL	0.47UF,20%,50V,GP,TP,5X11,2.5	SA
5	2401-001220	C402	C-AL	4.7uF,20%,160V,GP,TP,8x11.5,5	SA
5	2301-000010	C403	C-FILM,LEAD-PEF	100nF,5%,100V,TP,11.5x12.5mm,5	SA
5	2301-001463	C404	C-FILM,LEAD-PPF	4NF,5%,630V,TP,17X9X5,7.5	SA
5	2301-001304	C405	C-FILM,LEAD-PPF	1.5NF,5%,2.5KV,TP,23X17X11MM,7.5	△ SA
5	2301-001441	C406	C-FILM,LEAD-PPF	2nF,3%,1.6kV,TP,20x2.5x11mm,7.5	△ SA
5	2305-000178	C407	C-FILM,LEAD-PEF	10nF,5%,100V,TP,-,5mm	SA
5	2401-001914	C411	C-AL	1uF,20%,50V,BP,TP,5x11,5	SA
5	2201-000471	C412	C-CERAMIC,DISC	0.33NF,10%,50V,Y5P,TP,4X3.5MM,5	SA
5	2301-000016	C413	C-FILM,LEAD-PEF	22nF,5%,100V,TP,7.2x4.5x9.0mm,	SA
5	2305-000470	C414	C-FILM,LEAD-PEF	68nF,5%,100V,TP,-,5mm	SA
5	2401-001012	C415	C-AL	3.3UF,20%,50V,BP,TP,16X25,7.5	SA
5	2401-000025	C431	C-AL	100uF,20%,16V,GP,TP,6.3x11,5	SA
5	2305-000665	C432	C-FILM,LEAD-PEF	100nF,5%,63V,TP,7.5x4.0x5.0mm,	SA
5	2301-000148	C433	C-FILM,LEAD-PEF	10nF,5%,100V,TP,7x3.2x7mm,5mm	SA
5	2202-000573	C434	C-CERAMIC,MLC-RADIAL	0.82NF,5%,50V,COG,TP,5.1X3.2X5.1MM,5	SA
5	2301-000148	C435	C-FILM,LEAD-PEF	10nF,5%,100V,TP,7x3.2x7mm,5mm	SA
5	2401-000660	C436	C-AL	2.2uF,20%,50V,GP,TP,5x11,5	SA
5	2401-000603	C437	C-AL	1UF,20%,50V,GP,TP,5X11,2	SA
5	2401-002144	C438	C-AL	47uF,20%,16V,GP,TP,5x11,5	SA
5	2305-001033	C443	C-FILM,LEAD-PEF	15nF,10%,250V,TP,13X9.0X4.5mm,	SA
5	2306-000137	C452	C-FILM,LEAD-PPF	180nF,5%,250V,TP,19x16.5x8,7.5	SA
5	2306-000119	C453	C-FILM,LEAD-PPF	100nF,5%,250V,TP,19x14.5x6.5,7	SA
5	2306-000164	C455	C-FILM,LEAD-PPF	220nF,5%,250V,TP,19x22x10,7.5m	SA
5	2401-000603	C456	C-AL	1UF,20%,50V,GP,TP,5X11,2	SA
5	2401-000603	C457	C-AL	1UF,20%,50V,GP,TP,5X11,2	SA
5	2401-000603	C458	C-AL	1UF,20%,50V,GP,TP,5X11,2	SA
5	2401-003826	C501	C-AL	220UF,20%,63V,LR,TP,10X25MM,5	SA
5	2201-000291	C502	C-CERAMIC,DISC	1NF,10%,500V,Y5P,TP,7.5X3.5MM,5	SA
5	2401-002267	C504	C-AL	2.2uF,20%,250V,GP,TP,8x11.5,5	SA
5	2401-002267	C505	C-AL	2.2uF,20%,250V,GP,TP,8x11.5,5	SA
5	2301-000294	C521	C-FILM,LEAD-PEF	56nF,5%,100V,TP,9.5x12.5mm,5mm	SA
5	2202-002037	C531	C-CERAMIC,MLC-AXIAL	100nF,80-20%,50V,Y5V,TP,2.2x3.	SA
5	2301-000106	C532	C-FILM,LEAD-PEF	1.5nF,0.05,100V,TP,10.5*12.5*6	SA
5	2401-000758	C533	C-AL	0.22UF,20%,50V,GP,TP,5X11,5	SA
5	2301-000016	C534	C-FILM,LEAD-PEF	22nF,5%,100V,TP,7.2x4.5x9.0mm,	SA
5	2301-000106	C535	C-FILM,LEAD-PEF	1.5nF,0.05,100V,TP,10.5*12.5*6	SA
5	2301-000110	C536	C-FILM,LEAD-PEF	1.8nF,5%,100V,TP,7x3.0x6.5mm,5	SA
5	2202-002037	C537	C-CERAMIC,MLC-AXIAL	100nF,80-20%,50V,Y5V,TP,2.2x3.	SA
5	2401-000480	C551	C-AL	10uF,20%,50V,GP,TP,5x11,5	SA

Level	Loc. No.	Code No.	Description	Specification	Remarks
5	2201-000291	C552	C-CERAMIC,DISC	1NF,10%,500V,Y5P,TP,7.5X3.5MM,5	SA
5	2201-000132	C553	C-CERAMIC,DISC	0.1NF,10%,500V,Y5P,TP,6.5X3MM,5	SA
5	2201-000291	C561	C-CERAMIC,DISC	1NF,10%,500V,Y5P,TP,7.5X3.5MM,5	SA
5	2201-000023	C603	C-CERAMIC,DISC	2.2NF,20%,250V,Y5U,TP,11X7MM,5	SA
5	2201-000023	C604	C-CERAMIC,DISC	2.2NF,20%,250V,Y5U,TP,11X7MM,5	SA
5	2401-000970	C606	C-AL	22uF,20%,50V,WT,TP,5x11,5	SA
5	2202-002037	C607	C-CERAMIC,MLC-AXIAL	100nF,80-20%,50V,Y5V,TP,2.2x3.	SA
5	2201-000325	C608	C-CERAMIC,DISC	2.2NF,10%,500V,Y5P,TP,9.5X4MM,5	SA
5	2201-000129	C609	C-CERAMIC,DISC	0.1NF,10%,1KV,Y5P,TP,7X4MM,5	SA
5	2301-000188	C610	C-FILM,LEAD-PEF	1nF,5%,100V,TP,10.5x12.5x6.5,5	SA
5	2401-000611	C611	C-AL	1uF,20%,50V,WT,TP,5x11,5	SA
5	2305-000665	C613	C-FILM,LEAD-PEF	100nF,5%,63V,TP,7.5x4.0x5.0mm,	SA
5	2301-000284	C614	C-FILM,LEAD-PEF	47nF,5%,100V,TP,8.5x12.5mm,5mm	SA
5	2401-001513	C615	C-AL	47uF,20%,16V,WT,TP,5x11,5	SA
5	2202-002037	C616	C-CERAMIC,MLC-AXIAL	100nF,80-20%,50V,Y5V,TP,2.2x3.	SA
5	2201-000023	C617	C-CERAMIC,DISC	2.2NF,20%,250V,Y5U,TP,11X7MM,5	SA
5	2401-003046	C618	C-AL	47uF,20%,50V,WT,TP,6.3x11,2.5	SA
5	2201-000291	C619	C-CERAMIC,DISC	1NF,10%,500V,Y5P,TP,7.5X3.5MM,5	SA
5	2305-000178	C621	C-FILM,LEAD-PEF	10nF,5%,100V,TP,-,5mm	SA
5	2401-000039	C622	C-AL	1000uF,20%,16V,GP,TP,10x16,5	SA
5	2401-000025	C624	C-AL	100uF,20%,16V,GP,TP,6.3x11,5	SA
5	2401-000025	C625	C-AL	100uF,20%,16V,GP,TP,6.3x11,5	SA
5	2401-002463	C626	C-AL	470uF,20%,16V,GP,TP,8x11.5,5	SA
5	2401-000039	C627	C-AL	1000uF,20%,16V,GP,TP,10x16,5	SA
5	2401-002300	C628	C-AL	47uF,20%,50V,GP,TP,6.3x11,5	SA
5	2401-003826	C629	C-AL	220UF,20%,63V,LR,TP,10X25MM,5	SA
5	2201-000469	C630	C-CERAMIC,DISC	0.33NF,10%,500V,Y5P,TP,5.5X3MM,5	SA
5	2401-000039	C631	C-AL	1000uF,20%,16V,GP,TP,10x16,5	SA
5	2401-000025	C632	C-AL	100uF,20%,16V,GP,TP,6.3x11,5	SA
5	3711-000197	CN321	CONNECTOR-HEADER	1WALL,3P,1R,2.5mm,STRAIGHT,SN	SA
5	3711-000217	CN602	CONNECTOR-HEADER	1WALL,2P,1R,7.92MM,STRAIGHT,SN,NTR	SA
5	0401-000005	D201	DIODE-SWITCHING	1N4148,75V,150MA,DO-35,TP	SA
5	0402-000128	D301	DIODE-RECTIFIER	1N4002GP,100V,1A,DO-41,TP	SA
5	0402-000546	D302	DIODE-RECTIFIER	TVR10G,400V,1.0A,DO-41,TP	SA
5	0401-000005	D341	DIODE-SWITCHING	1N4148,75V,150MA,DO-35,TP	SA
5	0401-000005	D401	DIODE-SWITCHING	1N4148,75V,150MA,DO-35,TP	SA
5	0401-000004	D402	DIODE-SWITCHING	1SS244,220V,200MA,DO-34,TP	SA
5	0402-000208	D403	DIODE-RECTIFIER	EK-04,40V,1A,DO-41,TP	SA
5	0402-000274	D404	DIODE-RECTIFIER	UF4004,400V,1A,DO-41,TP	SA
5	0401-000005	D411	DIODE-SWITCHING	1N4148,75V,150MA,DO-35,TP	SA
5	0401-000005	D412	DIODE-SWITCHING	1N4148,75V,150MA,DO-35,TP	SA
5	0401-000005	D413	DIODE-SWITCHING	1N4148,75V,150MA,DO-35,TP	SA
5	0401-000005	D414	DIODE-SWITCHING	1N4148,75V,150MA,DO-35,TP	SA
5	0402-000274	D441	DIODE-RECTIFIER	UF4004,400V,1A,DO-41,TP	SA
5	0402-000006	D451	DIODE-RECTIFIER	1N4007GP,1KV,1A,DO-41,TP	SA
5	0402-000006	D452	DIODE-RECTIFIER	1N4007GP,1KV,1A,DO-41,TP	SA
5	0402-000006	D453	DIODE-RECTIFIER	1N4007GP,1KV,1A,DO-41,TP	SA
5	0402-000546	D455	DIODE-RECTIFIER	TVR10G,400V,1.0A,DO-41,TP	SA
5	0402-001118	D501	DIODE-RECTIFIER	UF1G,400V,1.2A,DO-204AC,TP	SA
5	0402-000274	D502	DIODE-RECTIFIER	UF4004,400V,1A,DO-41,TP	SA
5	0402-000546	D503	DIODE-RECTIFIER	TVR10G,400V,1.0A,DO-41,TP	SA
5	0402-000546	D504	DIODE-RECTIFIER	TVR10G,400V,1.0A,DO-41,TP	SA
5	0401-000005	D511	DIODE-SWITCHING	1N4148,75V,150MA,DO-35,TP	SA
5	0401-000005	D512	DIODE-SWITCHING	1N4148,75V,150MA,DO-35,TP	SA
5	0401-000005	D521	DIODE-SWITCHING	1N4148,75V,150MA,DO-35,TP	SA
5	0401-000005	D522	DIODE-SWITCHING	1N4148,75V,150MA,DO-35,TP	SA
5	0401-000005	D523	DIODE-SWITCHING	1N4148,75V,150MA,DO-35,TP	SA
5	0401-000004	D531	DIODE-SWITCHING	1SS244,220V,200MA,DO-34,TP	SA
5	0401-000004	D532	DIODE-SWITCHING	1SS244,220V,200MA,DO-34,TP	SA
5	0401-000005	D533	DIODE-SWITCHING	1N4148,75V,150MA,DO-35,TP	SA

Level	Loc. No.	Code No.	Description	Specification	Remarks
5	0402-000012	D603	DIODE-RECTIFIER	UF4007,1KV,1A,DO-41,TP	SA
5	0402-000012	D604	DIODE-RECTIFIER	UF4007,1KV,1A,DO-41,TP	SA
5	0402-000546	D605	DIODE-RECTIFIER	TVR10G,400V,1.0A,DO-41,TP	SA
5	0402-000546	D606	DIODE-RECTIFIER	TVR10G,400V,1.0A,DO-41,TP	SA
5	0401-000005	D607	DIODE-SWITCHING	1N4148,75V,150MA,DO-35,TP	SA
5	0401-000005	D608	DIODE-SWITCHING	1N4148,75V,150MA,DO-35,TP	SA
5	0401-000005	D621	DIODE-SWITCHING	1N4148,75V,150MA,DO-35,TP	SA
5	0402-001194	D622	DIODE-RECTIFIER	UG2D,200V,2A,-,TP	SA
5	0402-000274	D623	DIODE-RECTIFIER	UF4004,400V,1A,DO-41,TP	SA
5	0402-000274	D624	DIODE-RECTIFIER	UF4004,400V,1A,DO-41,TP	SA
5	0402-000012	D626	DIODE-RECTIFIER	UF4007,1KV,1A,DO-41,TP	SA
5	0402-001194	D627	DIODE-RECTIFIER	UG2D,200V,2A,-,TP	SA
5	0402-000274	D628	DIODE-RECTIFIER	UF4004,400V,1A,DO-41,TP	SA
5	6042-000001	EY301	EYELET	ID2.2,OD2.7,L3.1,NI+SN,BSP3-1/2H	SNA
5	6042-000001	EY302	EYELET	ID2.2,OD2.7,L3.1,NI+SN,BSP3-1/2H	SNA
5	6042-000001	EY401	EYELET	ID2.2,OD2.7,L3.1,NI+SN,BSP3-1/2H	SNA
5	6042-000001	EY402	EYELET	ID2.2,OD2.7,L3.1,NI+SN,BSP3-1/2H	SNA
5	6042-000001	EY403	EYELET	ID2.2,OD2.7,L3.1,NI+SN,BSP3-1/2H	SNA
5	6042-000002	EY404	EYELET	ID1.5,OD2,L2.8,NI+SN,BSP3-1/2H	SNA
5	6042-000002	EY405	EYELET	ID1.5,OD2,L2.8,NI+SN,BSP3-1/2H	SNA
5	6042-000002	EY406	EYELET	ID1.5,OD2,L2.8,NI+SN,BSP3-1/2H	SNA
5	6042-000002	EY441	EYELET	ID1.5,OD2,L2.8,NI+SN,BSP3-1/2H	SNA
5	6042-000002	EY442	EYELET	ID1.5,OD2,L2.8,NI+SN,BSP3-1/2H	SNA
5	6042-000002	EY501	EYELET	ID1.5,OD2,L2.8,NI+SN,BSP3-1/2H	SNA
5	6042-000002	EY502	EYELET	ID1.5,OD2,L2.8,NI+SN,BSP3-1/2H	SNA
5	6042-000002	EY503	EYELET	ID1.5,OD2,L2.8,NI+SN,BSP3-1/2H	SNA
5	6042-000002	EY504	EYELET	ID1.5,OD2,L2.8,NI+SN,BSP3-1/2H	SNA
5	6042-000002	EY505	EYELET	ID1.5,OD2,L2.8,NI+SN,BSP3-1/2H	SNA
5	6042-000002	EY506	EYELET	ID1.5,OD2,L2.8,NI+SN,BSP3-1/2H	SNA
5	6042-000002	EY507	EYELET	ID1.5,OD2,L2.8,NI+SN,BSP3-1/2H	SNA
5	6042-000001	EY601	EYELET	ID2.2,OD2.7,L3.1,NI+SN,BSP3-1/2H	SNA
5	6042-000001	EY602	EYELET	ID2.2,OD2.7,L3.1,NI+SN,BSP3-1/2H	SNA
5	6042-000001	EY603	EYELET	ID2.2,OD2.7,L3.1,NI+SN,BSP3-1/2H	SNA
5	6042-000001	EY604	EYELET	ID2.2,OD2.7,L3.1,NI+SN,BSP3-1/2H	SNA
5	6042-000001	EY605	EYELET	ID2.2,OD2.7,L3.1,NI+SN,BSP3-1/2H	SNA
5	6042-000001	EY606	EYELET	ID2.2,OD2.7,L3.1,NI+SN,BSP3-1/2H	SNA
5	6042-000002	EY607	EYELET	ID1.5,OD2,L2.8,NI+SN,BSP3-1/2H	SNA
5	6042-000002	EY608	EYELET	ID1.5,OD2,L2.8,NI+SN,BSP3-1/2H	SNA
5	6042-000002	EY621	EYELET	ID1.5,OD2,L2.8,NI+SN,BSP3-1/2H	SNA
5	6042-000002	EY622	EYELET	ID1.5,OD2,L2.8,NI+SN,BSP3-1/2H	SNA
5	BH71-40300A	GT601	PIN-HINGE	BRASS,D2.36!,HEAT/SINK,SN	SNA
5	BH71-40300A	GT602	PIN-HINGE	BRASS,D2.36!,HEAT/SINK,SN	SNA
5	BH39-40305U	JP1	CBF HARNESS	52MM,AWG22(0.6PI),--,AWG22(O.	SA
5	BH39-40305U	JP10	CBF HARNESS	52MM,AWG22(0.6PI),--,AWG22(O.	SA
5	BH39-40305U	JP11	CBF HARNESS	52MM,AWG22(0.6PI),--,AWG22(O.	SA
5	BH39-40305U	JP12	CBF HARNESS	52MM,AWG22(0.6PI),--,AWG22(O.	SA
5	BH39-40305U	JP13	CBF HARNESS	52MM,AWG22(0.6PI),--,AWG22(O.	SA
5	BH39-40305U	JP14	CBF HARNESS	52MM,AWG22(0.6PI),--,AWG22(O.	SA
5	BH39-40305U	JP15	CBF HARNESS	52MM,AWG22(0.6PI),--,AWG22(O.	SA
5	BH39-40305U	JP16	CBF HARNESS	52MM,AWG22(0.6PI),--,AWG22(O.	SA
5	BH39-40305U	JP17	CBF HARNESS	52MM,AWG22(0.6PI),--,AWG22(O.	SA
5	BH39-40305U	JP18	CBF HARNESS	52MM,AWG22(0.6PI),--,AWG22(O.	SA
5	BH39-40305U	JP19	CBF HARNESS	52MM,AWG22(0.6PI),--,AWG22(O.	SA
5	BH39-40305U	JP2	CBF HARNESS	52MM,AWG22(0.6PI),--,AWG22(O.	SA
5	BH39-40305U	JP20	CBF HARNESS	52MM,AWG22(0.6PI),--,AWG22(O.	SA
5	BH39-40305U	JP21	CBF HARNESS	52MM,AWG22(0.6PI),--,AWG22(O.	SA
5	BH39-40305U	JP22	CBF HARNESS	52MM,AWG22(0.6PI),--,AWG22(O.	SA
5	BH39-40305U	JP23	CBF HARNESS	52MM,AWG22(0.6PI),--,AWG22(O.	SA
5	BH39-40305U	JP24	CBF HARNESS	52MM,AWG22(0.6PI),--,AWG22(O.	SA
5	BH39-40305U	JP25	CBF HARNESS	52MM,AWG22(0.6PI),--,AWG22(O.	SA

Level	Loc. No.	Code No.	Description	Specification	Remarks
5	BH39-40305U	JP26	CBF HARNESS	52MM,AWG22(0.6PI),-,-,AWG22(0.	SA
5	3301-001450	JP27	BEAD-AXIAL	45ohm,3.5x0.6x5.7mm,50mA,TP,,,	SNA
5	BH39-40305U	JP3	CBF HARNESS	52MM,AWG22(0.6PI),-,-,AWG22(0.	SA
5	BH39-40305U	JP31	CBF HARNESS	52MM,AWG22(0.6PI),-,-,AWG22(0.	SA
5	BH39-40305U	JP32	CBF HARNESS	52MM,AWG22(0.6PI),-,-,AWG22(0.	SA
5	BH39-40305U	JP33	CBF HARNESS	52MM,AWG22(0.6PI),-,-,AWG22(0.	SA
5	BH39-40305U	JP34	CBF HARNESS	52MM,AWG22(0.6PI),-,-,AWG22(0.	SA
5	BH39-40305U	JP35	CBF HARNESS	52MM,AWG22(0.6PI),-,-,AWG22(0.	SA
5	BH39-40305U	JP37	CBF HARNESS	52MM,AWG22(0.6PI),-,-,AWG22(0.	SA
5	BH39-40305U	JP38	CBF HARNESS	52MM,AWG22(0.6PI),-,-,AWG22(0.	SA
5	BH39-40305U	JP4	CBF HARNESS	52MM,AWG22(0.6PI),-,-,AWG22(0.	SA
5	BH39-40305U	JP5	CBF HARNESS	52MM,AWG22(0.6PI),-,-,AWG22(0.	SA
5	BH39-40305U	JP6	CBF HARNESS	52MM,AWG22(0.6PI),-,-,AWG22(0.	SA
5	BH39-40305U	JP7	CBF HARNESS	52MM,AWG22(0.6PI),-,-,AWG22(0.	SA
5	BH39-40305U	JP8	CBF HARNESS	52MM,AWG22(0.6PI),-,-,AWG22(0.	SA
5	BH39-40305U	JP9	CBF HARNESS	52MM,AWG22(0.6PI),-,-,AWG22(0.	SA
5	BH41-00268A	MP1.0	PCB MAIN	LE17JS,FR-1,1,1.0,1.6T,247*247,LE17,MAIN	SNA
5	0501-000122	Q321	TR-SMALL SIGNAL	2N3904,NPN,625mW,TO-92,TP,100-300	SA
5	0501-000581	Q322	TR-SMALL SIGNAL	2N3906,PNP,625mW,TO-92,TP,100-300	SA
5	0501-000122	Q323	TR-SMALL SIGNAL	2N3904,NPN,625mW,TO-92,TP,100-300	SA
5	0501-000372	Q401	TR-SMALL SIGNAL	KSC2383-Y,NPN,900000mW,TO-92L,TP,160-320	SA
5	0501-000303	Q411	TR-SMALL SIGNAL	KSA733,PNP,250mW,TO-92,TP,120-240	SA
5	0501-000303	Q412	TR-SMALL SIGNAL	KSA733,PNP,250mW,TO-92,TP,120-240	SA
5	0501-000140	Q413	TR-SMALL SIGNAL	2N5551,NPN,625mW,TO-92,TP,80-250	SA
5	0501-000412	Q455	TR-SMALL SIGNAL	KSP42,NPN,625mW,TO-92,-,40	SA
5	0501-000412	Q456	TR-SMALL SIGNAL	KSP42,NPN,625mW,TO-92,-,40	SA
5	0501-000412	Q457	TR-SMALL SIGNAL	KSP42,NPN,625mW,TO-92,-,40	SA
5	0501-000586	Q501	TR-SMALL SIGNAL	KSC945,NPN,250mW,TO-92,TP,120-240	SA
5	0501-000303	Q502	TR-SMALL SIGNAL	KSA733,PNP,250mW,TO-92,TP,120-240	SA
5	0501-000586	Q511	TR-SMALL SIGNAL	KSC945,NPN,250mW,TO-92,TP,120-240	SA
5	0501-000143	Q512	TR-SMALL SIGNAL	2N6520,PNP,625mW,TO-92,TP,30-200	SA
5	0501-000413	Q551	TR-SMALL SIGNAL	KSP44,NPN,625mW,TO-92,TP,50-200	SA
5	0501-000122	Q601	TR-SMALL SIGNAL	2N3904,NPN,625mW,TO-92,TP,100-300	SA
5	0501-000010	Q621	TR-SMALL SIGNAL	KSC1008,NPN,800mW,TO-92,TP,120-240	SA
5	0501-000586	Q622	TR-SMALL SIGNAL	KSC945,NPN,250mW,TO-92,TP,120-240	SA
5	0501-000404	Q623	TR-SMALL SIGNAL	KSD1616-Y,NPN,750mW,TO-92,TP,135-270	SA
5	0501-000586	Q624	TR-SMALL SIGNAL	KSC945,NPN,250mW,TO-92,TP,120-240	SA
5	0501-002228	Q625	TR-SMALL SIGNAL	KTA1281,PNP,1000mW,TO-92L,TP,120-240	SA
5	2001-000869	R201	R-CARBON	560HM,5%,1/8W,AA,TP,1.8X3.2MM	SA
5	2001-000290	R202	R-CARBON	10KOHM,5%,1/8W,AA,TP,1.8X3.2MM	SA
5	2001-000008	R203	R-CARBON	15KOHM,5%,1/8W,AA,TP,1.8X3.2MM	SA
5	2001-000008	R204	R-CARBON	15KOHM,5%,1/8W,AA,TP,1.8X3.2MM	SA
5	2001-000869	R205	R-CARBON	560HM,5%,1/8W,AA,TP,1.8X3.2MM	SA
5	2001-000869	R206	R-CARBON	560HM,5%,1/8W,AA,TP,1.8X3.2MM	SA
5	2001-000290	R207	R-CARBON	10KOHM,5%,1/8W,AA,TP,1.8X3.2MM	SA
5	2001-000290	R208	R-CARBON	10KOHM,5%,1/8W,AA,TP,1.8X3.2MM	SA
5	2001-000734	R209	R-CARBON	4.7KOHM,5%,1/8W,AA,TP,1.8X3.2MM	SA
5	2001-000734	R210	R-CARBON	4.7KOHM,5%,1/8W,AA,TP,1.8X3.2MM	SA
5	2001-000734	R211	R-CARBON	4.7KOHM,5%,1/8W,AA,TP,1.8X3.2MM	SA
5	2001-000734	R212	R-CARBON	4.7KOHM,5%,1/8W,AA,TP,1.8X3.2MM	SA
5	2001-000281	R213	R-CARBON	1000HM,5%,1/8W,AA,TP,1.8X3.2MM	SA
5	2001-000281	R214	R-CARBON	1000HM,5%,1/8W,AA,TP,1.8X3.2MM	SA
5	2001-000554	R215	R-CARBON	2700HM,5%,1/8W,AA,TP,1.8X3.2MM	SA
5	2001-000591	R216	R-CARBON	3.3KOHM,5%,1/8W,AA,TP,1.8X3.2MM	SA
5	2001-000281	R217	R-CARBON	1000HM,5%,1/8W,AA,TP,1.8X3.2MM	SA
5	2001-000281	R218	R-CARBON	1000HM,5%,1/8W,AA,TP,1.8X3.2MM	SA
5	2001-000281	R219	R-CARBON	1000HM,5%,1/8W,AA,TP,1.8X3.2MM	SA
5	2001-000429	R220	R-CARBON	1KOHM,5%,1/8W,AA,TP,1.8X3.2MM	SA
5	2001-000515	R221	R-CARBON	2200HM,5%,1/8W,AA,TP,1.8X3.2MM	SA
5	2001-000290	R222	R-CARBON	10KOHM,5%,1/8W,AA,TP,1.8X3.2MM	SA

Level	Loc. No.	Code No.	Description	Specification	Remarks
5	2001-000290	R223	R-CARBON	10KOHM,5%,1/8W,AA,TP,1.8X3.2MM	SA
5	2001-000241	R224	R-CARBON	1.5KOHM,5%,1/8W,AA,TP,1.8X3.2MM	SA
5	2001-000435	R225	R-CARBON	1MOHM,5%,1/8W,AA,TP,1.8X3.2MM	SA
5	2001-000869	R231	R-CARBON	56OHM,5%,1/8W,AA,TP,1.8X3.2MM	SA
5	2001-000869	R232	R-CARBON	56OHM,5%,1/8W,AA,TP,1.8X3.2MM	SA
5	2001-000281	R241	R-CARBON	100OHM,5%,1/8W,AA,TP,1.8X3.2MM	SA
5	2001-000281	R242	R-CARBON	100OHM,5%,1/8W,AA,TP,1.8X3.2MM	SA
5	2001-000281	R243	R-CARBON	100OHM,5%,1/8W,AA,TP,1.8X3.2MM	SA
5	2001-000009	R302	R-CARBON	20KOHM,5%,1/8W,AA,TP,1.8X3.2MM	SA
5	2004-001254	R303	R-METAL	8.2Kohm,1%,1/4W,AA,TP,2.4x6.4m	SA
5	2001-000734	R304	R-CARBON	4.7KOHM,5%,1/8W,AA,TP,1.8X3.2MM	SA
5	2004-000616	R305	R-METAL	24Kohm,1%,1/4W,AA,TP,2.4x6.4mm	SA
5	2004-001005	R306	R-METAL	5.1Kohm,1%,1/4W,AA,TP,2.4x6.4m	SA
5	2004-001022	R307	R-METAL	5.6Kohm,1%,1/4W,AA,TP,2.4x6.4m	SA
5	2004-001409	R308	R-METAL	2.7ohm,1%,1/4W,AA,TP,2.4x6.4mm	SA
5	2004-001794	R309	R-METAL	2.2ohm,1%,1/4W,AA,TP,2.4x7mm	SA
5	2001-001126	R310	R-CARBON(S)	300OHM,5%,1/2W,AA,TP,2.4X6.4MM	SA
5	2001-000908	R311	R-CARBON	62KOHM,5%,1/8W,AA,TP,1.8X3.2MM	SA
5	2001-001053	R312	R-CARBON(S)	1.5OHM,5%,1/2W,AA,TP,2.4X6.4MM	SA
5	2001-000290	R321	R-CARBON	10KOHM,5%,1/8W,AA,TP,1.8X3.2MM	SA
5	2001-000878	R322	R-CARBON	6.2KOHM,5%,1/8W,AA,TP,1.8X3.2MM	SA
5	2001-000302	R323	R-CARBON	100OHM,5%,1/8W,AA,TP,1.8X3.2MM	SA
5	2001-000273	R324	R-CARBON	100KOHM,5%,1/8W,AA,TP,1.8X3.2MM	SA
5	2001-000042	R325	R-CARBON	1KOHM,5%,1/4W,AA,TP,2.4X6.4MM	SA
5	2001-000281	R326	R-CARBON	1000OHM,5%,1/8W,AA,TP,1.8X3.2MM	SA
5	2001-001079	R327	R-CARBON(S)	150OHM,5%,1/2W,AA,TP,2.4X6.4MM	SA
5	2001-001079	R328	R-CARBON(S)	150OHM,5%,1/2W,AA,TP,2.4X6.4MM	SA
5	2001-000734	R331	R-CARBON	4.7KOHM,5%,1/8W,AA,TP,1.8X3.2MM	SA
5	2001-000319	R332	R-CARBON	120KOHM,5%,1/8W,AA,TP,1.8X3.2MM	SA
5	2001-000908	R333	R-CARBON	62KOHM,5%,1/8W,AA,TP,1.8X3.2MM	SA
5	2001-000281	R334	R-CARBON	1000OHM,5%,1/8W,AA,TP,1.8X3.2MM	SA
5	2001-001088	R401	R-CARBON(S)	1KOHM,5%,1/2W,AA,TP,2.4X6.4MM	SA
5	2001-000110	R402	R-CARBON	100OHM,5%,1/4W,AA,TP,2.4X6.4MM	SA
5	2001-000429	R403	R-CARBON	1KOHM,5%,1/8W,AA,TP,1.8X3.2MM	SA
5	2001-000319	R404	R-CARBON	120KOHM,5%,1/8W,AA,TP,1.8X3.2MM	SA
5	2001-001078	R405	R-CARBON(S)	15KOHM,5%,1/2W,AA,TP,2.4X6.4MM	SA
5	2003-000703	R406	R-METAL OXIDE(S)	470ohm,5%,3W,AA,TP,6x16mm	SA
5	2003-000407	R407	R-METAL OXIDE(S)	0.6ohm,5%,2W,AA,TP,4x12mm	SA
5	2001-000020	R408	R-CARBON(S)	220HM,5%,1/2W,AA,TP,2.4X6.4MM	SA
5	2001-000019	R409	R-CARBON(S)	100HM,5%,1/2W,AA,TP,2.4X6.4MM	SA
5	2004-000193	R411	R-METAL	100Kohm,1%,1/4W,AA,TP,2.4x6.4m	SA
5	2004-000327	R412	R-METAL	150Kohm,1%,1/4W,AA,TP,2.4x6.4m	SA
5	2004-001349	R415	R-METAL	91Kohm,1%,1/4W,AA,TP,2.4x6.4mm	SA
5	2004-000298	R416	R-METAL	130Kohm,1%,1/4W,AA,TP,2.4x6.4m	SA
5	2001-000531	R417	R-CARBON	240KOHM,5%,1/8W,AA,TP,1.8X3.2MM	SA
5	2001-000221	R418	R-CARBON	1.2KOHM,5%,1/8W,AA,TP,1.8X3.2MM	SA
5	2004-000327	R419	R-METAL	150Kohm,1%,1/4W,AA,TP,2.4x6.4m	SA
5	2004-000176	R420	R-METAL	1.8Kohm,1%,1/4W,AA,TP,2.4x6.4m	SA
5	2004-001254	R421	R-METAL	8.2Kohm,1%,1/4W,AA,TP,2.4x6.4m	SA
5	2004-001254	R431	R-METAL	8.2Kohm,1%,1/4W,AA,TP,2.4x6.4m	SA
5	2001-000449	R432	R-CARBON	2.2KOHM,5%,1/8W,AA,TP,1.8X3.2MM	SA
5	2003-000525	R441	R-METAL OXIDE(S)	180ohm,5%,2W,AA,TP,4x12mm	SA
5	2003-000471	R445	R-METAL OXIDE(S)	10ohm,5%,2W,AA,TP,4x12mm	SA
5	2001-000290	R451	R-CARBON	10KOHM,5%,1/8W,AA,TP,1.8X3.2MM	SA
5	2001-000449	R452	R-CARBON	2.2KOHM,5%,1/8W,AA,TP,1.8X3.2MM	SA
5	2001-000786	R453	R-CARBON	47KOHM,5%,1/8W,AA,TP,1.8X3.2MM	SA
5	2001-000290	R454	R-CARBON	10KOHM,5%,1/8W,AA,TP,1.8X3.2MM	SA
5	2001-000449	R455	R-CARBON	2.2KOHM,5%,1/8W,AA,TP,1.8X3.2MM	SA
5	2001-000786	R456	R-CARBON	47KOHM,5%,1/8W,AA,TP,1.8X3.2MM	SA
5	2001-000290	R457	R-CARBON	10KOHM,5%,1/8W,AA,TP,1.8X3.2MM	SA

Level	Loc. No.	Code No.	Description	Specification	Remarks
5	2001-000449	R458	R-CARBON	2.2KOHM,5%,1/8W,AA,TP,1.8X3.2MM	SA
5	2001-000786	R459	R-CARBON	47KOHM,5%,1/8W,AA,TP,1.8X3.2MM	SA
5	2001-001099	R501	R-CARBON(S)	2.7KOHM,5%,1/2W,AA,TP,2.4X6.4MM	SA
5	2003-000145	R502	R-METAL OXIDE	100ohm,5%,1W,AA,TP,4.3x12mm	SA
5	2001-000333	R503	R-CARBON	12OHM,5%,1/4W,AA,TP,2.4X6.4MM	SA
5	2001-000522	R504	R-CARBON	22KOHM,5%,1/8W,AA,TP,1.8X3.2MM	SA
5	2003-000703	R505	R-METAL OXIDE(S)	470ohm,5%,3W,AA,TP,6x16mm	SA
5	2003-000407	R506	R-METAL OXIDE(S)	0.6ohm,5%,2W,AA,TP,4x12mm	△ SA
5	2001-000107	R507	R-CARBON(S)	150KOHM,5%,1/2W,AA,TP,2.4X6.4MM	SA
5	2001-000429	R508	R-CARBON	1KOHM,5%,1/8W,AA,TP,1.8X3.2MM	△ SA
5	2001-000786	R511	R-CARBON	47KOHM,5%,1/8W,AA,TP,1.8X3.2MM	SA
5	2001-001088	R513	R-CARBON(S)	1KOHM,5%,1/2W,AA,TP,2.4X6.4MM	SA
5	2002-001099	R514	R-COMPOSITION	68KOHM,5%,1/2W,AA,TP,3.0X9.0MM	SNA
5	2002-001072	R515	R-COMPOSITION	15Kohm,5%,1/2W,AA,TP,4.0x12mm	SA
5	2004-001164	R521	R-METAL	62Kohm,1%,1/4W,AA,TP,2.4x6.4mm	SA
5	2004-000327	R522	R-METAL	150Kohm,1%,1/4W,AA,TP,2.4x6.4m	SA
5	2001-000660	R523	R-CARBON	33KOHM,5%,1/8W,AA,TP,1.8X3.2MM	SA
5	2001-000429	R524	R-CARBON	1KOHM,5%,1/8W,AA,TP,1.8X3.2MM	SA
5	2001-000531	R525	R-CARBON	240KOHM,5%,1/8W,AA,TP,1.8X3.2MM	SA
5	2001-001000	R531	R-CARBON	82KOHM,5%,1/8W,AA,TP,1.8X3.2MM	SA
5	2001-000290	R532	R-CARBON	10KOHM,5%,1/8W,AA,TP,1.8X3.2MM	SA
5	2001-000478	R533	R-CARBON	2.7OHM,5%,1/4W,AA,TP,2.4X6.4MM	SA
5	2001-000890	R534	R-CARBON	6.8KOHM,5%,1/8W,AA,TP,1.8X3.2MM	SA
5	2001-000995	R535	R-CARBON	820OHM,5%,1/8W,AA,TP,1.8X3.2MM	SA
5	2004-000825	R536	R-METAL	36Kohm,1%,1/4W,AB,TP,2.4x6.4mm	△ SA
5	2004-000218	R537	R-METAL	10Kohm,1%,1/8W,AA,TP,1.8x3.2mm	△ SA
5	2004-000284	R538	R-METAL	12Kohm,1%,1/4W,AA,TP,2.4x6.4mm	△ SA
5	2001-000008	R539	R-CARBON	15KOHM,5%,1/8W,AA,TP,1.8X3.2MM	△ SA
5	2004-000458	R540	R-METAL	2.2Kohm,1%,1/4W,AA,TP,2.4x6.4m	△ SA
5	2001-000645	R541	R-CARBON	330KOHM,5%,1/8W,AA,TP,1.8X3.2MM	SA
5	2001-000273	R542	R-CARBON	100KOHM,5%,1/8W,AA,TP,1.8X3.2MM	SA
5	2001-000281	R551	R-CARBON	100OHM,5%,1/8W,AA,TP,1.8X3.2MM	SA
5	2001-000530	R553	R-CARBON	240KOHM,5%,1/4W,AA,TP,2.4X6.4MM	SA
5	2001-000537	R554	R-CARBON	24KOHM,5%,1/4W,AA,TP,2.4X6.4MM	SA
5	2001-000042	R555	R-CARBON	1KOHM,5%,1/4W,AA,TP,2.4X6.4MM	SA
5	2001-001113	R556	R-CARBON(S)	270KOHM,5%,1/2W,AA,TP,2.4X6.4MM	SA
5	2001-000316	R557	R-CARBON	120KOHM,5%,1/2W,AA,TP,3.3X9MM	SA
5	2001-000316	R558	R-CARBON	120KOHM,5%,1/2W,AA,TP,3.3X9MM	SA
5	2003-000650	R561	R-METAL OXIDE(S)	330ohm,5%,2W,AA,TP,4x12mm	SA
5	2001-001129	R601	R-CARBON(S)	330KOHM,5%,1/2W,AA,TP,2.4X6.4MM	SA
5	2001-001129	R602	R-CARBON(S)	330KOHM,5%,1/2W,AA,TP,2.4X6.4MM	SA
5	2003-000738	R603	R-METAL OXIDE(S)	56Kohm,5%,2W,AA,TP,4x12mm	SA
5	2003-000014	R604	R-METAL OXIDE(S)	10Kohm,5%,3W,AA,TP,6x16mm	SA
5	2002-001103	R605	R-COMPOSITION	300Kohm,5%,1/2W,AA,TP,3.7x10.0mm	SA
5	2002-001103	R606	R-COMPOSITION	300Kohm,5%,1/2W,AA,TP,3.7x10.0mm	SA
5	2001-001116	R607	R-CARBON(S)	27OHM,5%,1/2W,AA,TP,2.4X6.4MM	SA
5	2001-000734	R608	R-CARBON	4.7KOHM,5%,1/8W,AA,TP,1.8X3.2MM	SA
5	2001-000780	R609	R-CARBON	470OHM,5%,1/8W,AA,TP,1.8X3.2MM	SA
5	2001-000281	R610	R-CARBON	100OHM,5%,1/8W,AA,TP,1.8X3.2MM	SA
5	BH39-40305U	R611	CBF HARNESS	52MM,AWG22(0.6PI),-,-,AWG22(0.	SA
5	2001-000023	R621	R-CARBON	47OHM,5%,1/4W,AA,TP,2.4X6.4MM	SA
5	2001-000027	R622	R-CARBON	100OHM,5%,1/4W,AA,TP,2.4X6.4MM	SA
5	2001-000613	R623	R-CARBON	3.9KOHM,5%,1/8W,AA,TP,1.8X3.2MM	SA
5	2001-000429	R624	R-CARBON	1KOHM,5%,1/8W,AA,TP,1.8X3.2MM	SA
5	BH39-40305U	R625	CBF HARNESS	52MM,AWG22(0.6PI),-,-,AWG22(0.	SA
5	2001-000290	R626	R-CARBON	10KOHM,5%,1/8W,AA,TP,1.8X3.2MM	SA
5	2001-001088	R628	R-CARBON(S)	1KOHM,5%,1/2W,AA,TP,2.4X6.4MM	SA
5	2001-000786	R629	R-CARBON	47KOHM,5%,1/8W,AA,TP,1.8X3.2MM	SA
5	2001-000062	R630	R-CARBON	470OHM,5%,1/4W,AA,TP,2.4X6.4MM	SA
5	2003-000471	R631	R-METAL OXIDE(S)	10ohm,5%,2W,AA,TP,4x12mm	SA

Level	Loc. No.	Code No.	Description	Specification	Remarks
5	4715-001055	SK561	SURGE ABSORBER	1kV,+50-10%,-,-,RADIAL	SNA
5	6042-000002	TP501	EYELET	ID1.5,OD2.1,2.8,NI+SN,BSP3-1/2H	SNA
5	2801-000006	X201	CRYSTAL-UNIT	12MHz,50ppm,28-AAM,S,35ohm,BK	SA
5	0403-000348	ZD201	DIODE-ZENER	UZ36B,33-39V,500MW,DO-35,TP	SA
5	0403-001068	ZD202	DIODE-ZENER	UZ4.7BSA,4.44-4.68V,500MW,DO-34,TP	SA
5	0403-000361	ZD211	DIODE-ZENER	UZ6.2BSB,5.96-6.27V,500MW,DO-34,TP	SA
5	0403-000361	ZD212	DIODE-ZENER	UZ6.2BSB,5.96-6.27V,500MW,DO-34,TP	SA
5	0403-000361	ZD213	DIODE-ZENER	UZ6.2BSB,5.96-6.27V,500MW,DO-34,TP	SA
5	0403-000361	ZD214	DIODE-ZENER	UZ6.2BSB,5.96-6.27V,500MW,DO-34,TP	SA
5	0403-000361	ZD221	DIODE-ZENER	UZ6.2BSB,5.96-6.27V,500MW,DO-34,TP	SA
5	0403-000361	ZD222	DIODE-ZENER	UZ6.2BSB,5.96-6.27V,500MW,DO-34,TP	SA
5	0403-000361	ZD223	DIODE-ZENER	UZ6.2BSB,5.96-6.27V,500MW,DO-34,TP	SA
5	0403-000361	ZD224	DIODE-ZENER	UZ6.2BSB,5.96-6.27V,500MW,DO-34,TP	SA
5	0403-000361	ZD225	DIODE-ZENER	UZ6.2BSB,5.96-6.27V,500MW,DO-34,TP	SA
5	0403-000361	ZD226	DIODE-ZENER	UZ6.2BSB,5.96-6.27V,500MW,DO-34,TP	SA
5	0403-000361	ZD241	DIODE-ZENER	UZ6.2BSB,5.96-6.27V,500MW,DO-34,TP	SA
5	0403-000361	ZD242	DIODE-ZENER	UZ6.2BSB,5.96-6.27V,500MW,DO-34,TP	SA
5	0403-000355	ZD514	DIODE-ZENER	UZ5.1BSB,5-5.2V,500MW,DO-35,TP	SA
5	0403-001221	ZD601	DIODE-ZENER	UZ39BSB,35.36-37.19V,500MW,DO-34,TP	SA
5	0403-000361	ZD602	DIODE-ZENER	UZ6.2BSB,5.96-6.27V,500MW,DO-34,TP	SA
4	BH99-00006A	HS451	ASSY HEAT/SINK	H/S,SCREW+NUT,IRF630,-,-,OIL SILICON,-,-	SNA
5	0205-001027	CIS	OIL-SILICON	G746,-,-	SNA
5	0505-001309	CIS	FET-SILICON	IRF630,N,200V,10A,0.4OHM,100W,TO-220	SA
5	6006-001008	CIS	SCREW-ASS'Y MACH	WSP,BH,+ ,M3,L10,ZPC(YEL),SWRCH	SNA
5	6021-000118	CIS	NUT-HEXAGON	1C,M3,ZPC(YEL),SM20C	SNA
5	BH62-30024A	CIS	HEAT SINK-TR	SPC,T1,SN,CFX1577L	SNA
4	BN61-01137A	CIS16	SUPPORT-CLIP	IBM E74,NYLON 66,1.0,NTR	SNA
4	BP96-00064C	HS601	ASSY HEAT SINK P	BH62-00004A,SPRING,8S0765RC,RUBBER SILICON	SNA
5	BH13-00045A	CIS	IC HYBRID	FS8S0765RCYDTU,CU17KS,5,-25 to 85,TO-220(FORMING),35,ST	SA
5	BH61-00004A	CIS	SPRING ETC-TR	CDA,CDB,SUS304,-,-,-,-,TO.5,-,-,-	SNA
5	BH62-00004A	CIS	HEAT SINK-POWER	- ,T1,- ,A1050S,DA/DB	SNA
5	BH62-20001B	CIS	TUBE-RUBBER	CS04357,W25*L20*TO.45,-,-,-,-	SNA
4	BP96-00065B	HS301	ASSY HEAT SINK P	BH62-00003B,SPRING,STV9325,OIL SILICON	SNA
5	0205-001027	H/S	OIL-SILICON	G746,-,-	SNA
5	1204-002262	H/S	IC-VERTICAL DEF.	STV9325,HEPTAWATT,7P,15.45x10.22mm,PLASTIC,35V,-,40to+150C,ST,IC-VERTICAL DEF.	SNA
5	6003-000334	H/S	SCREW-TAPTITE	RH,+ ,2S,M3,L6,ZPC(YEL),SWRCH18	SNA
5	BH62-00003B	H/S	HEAT SINK-VERT	A1050S,T1.0,T1.0,-,DA,DB	SNA
4	BP96-00066S	HS490	ASSY HEAT SINK P	BH62-00015A,SPRING,KTD2058,FF06F150S,ST2310HI,OIL SILICON	SNA
5	0205-001027	H/S	OIL-SILICON	G746,-,-	SNA
5	0402-001386	H/S	DIODE-RECTIFIER	FFPF06F150S,1500V,6A,DO-214AB,ST	SA
5	0502-000465	H/S	TR-POWER	KTD2058,NPN,2500mW,TO-220IS,ST,100-200	SA
5	0502-001225	H/S	TR-POWER	ST2310HI,NPN,5500mW,ISOWATT218,ST,6.5-9.5	SA
5	BH61-00004A	H/S	SPRING ETC-TR	CDA,CDB,SUS304,-,-,-,-,TO.5,-,-,-	SNA
5	BH61-70003A	H/S	SPRING ETC	CVT4957,STS304-W1/2H,W3.8,-,L30,L30,-,TO.5,DEGRE,W3.8,STS304-W1/2H	SNA
5	BH62-00015A	H/S	HEAT SINK-FBT	A1050S,T1.0,T1.0,-,-	SNA
4	BP96-00072E	HS590	ASSY HEAT SINK P	H/S TR,SPRING,IRF630,OIL SILICON	SNA
5	0205-001027	CIS	OIL-SILICON	G746,-,-	SNA
5	0505-001309	CIS	FET-SILICON	IRF630,N,200V,10A,0.4OHM,100W,TO-220	SA
5	BH61-00004A	CIS	SPRING ETC-TR	CDA,CDB,SUS304,-,-,-,-,TO.5,-,-,-	SNA
5	BH62-00016A	CIS	HEAT SINK-TR	A1050S,T1.0,-,DP17MO	SNA

7-3-2 LE17KS(LE17KT) Video PCB Parts

Level	Loc. No.	Code No.	Description	Specification	Remarks
3	BH94-00980A	-	ASSY PCB VIDEO-ST	LE17JS	SNA
4	BH63-00131A	CIS1	SHIELD-VIDEO	LE17KS,SPTE,TO.2	SNA
4	6502-000001	CIS10	CABLE CLAMP	DAWH-5NB,D15,L35,NYLON66,NTR	SNA
4	0204-001527	CIS3	FLUX	DF-201TVS,MIX,0.820,FLUX13%,14KG	SNA
4	0204-000442	CIS4	SOLVENT	1M-1000,C3H7OH,96,-	SNA
4	BH68-00001A	CIS40	LABEL-MARK CDT	ART-PAPER100G,-,WHT,BLK,-,ALL,CDT	SNA
4	BH61-70003A	CIS5	SPRING ETC	CVT4857,STS304-W1/2H,W3.8,-,L30,L30,-,TO.5,DEGRE,W3.8,STS304-W1/2H	SNA
4	3711-004236	CN101	CONNECTOR-HEADER	BOX,6P,1R,2MM,STRAIGHT,SN	SNA
4	BH39-00015A	CN102	CBF-HARNESS	13P/14P,200MM,WHT/BLK/RED/BLU,UL1007,AWG26,SMH200-13/YBNH200-14	SA
4	BH13-00050A	IC102	IC HYBRID	NT6813K-30031,NT6813K-30031,24P,-55 to +150,240mA,-0.5 to 6V,ST	SA
4	3704-001170	SK101	SOCKET-CRT	10P,22.5PI,25.6PI,NL+SN,-	SA
4	BH96-00283A	HS106	ASSY HEAT SINK P	BH62-00054A,SCREW,STV9588,OIL SILICON,BRKT-VIDEO	SNA
5	0205-001027	H/S	OIL-SILICON	G746,-,-	SNA
5	1201-002113	H/S	IC-VIDEO AMP	SAM9588,CLIPWATT,19P,19.85x10.7mm,-,26,PLASTIC,110V,3W,0to+70C,-,-,-,-,ST	SA
5	6003-000333	H/S	SCREW-TAPTITE	RH,+2S,M3,L10,ZPC(YEL),SWRCH1	SNA
5	BH61-00048A	H/S	BRACKET-VIDEO	andromeda,SECC,0.8	SNA
5	BH62-00054A	H/S	HEAT SINK-PS	LEO,A1050S,2.0,112,25	SNA
4	BH97-00512A	-	ASSY AUTO-(VIDEO)ST	LE17JS	SNA
5	3301-001450	BD102	BEAD-AXIAL	45ohm,3.5x0.6x5.7mm,50mA,TP,,,	SNA
5	3301-001450	BD103	BEAD-AXIAL	45ohm,3.5x0.6x5.7mm,50mA,TP,,,	SNA
5	3301-001450	BD104	BEAD-AXIAL	45ohm,3.5x0.6x5.7mm,50mA,TP,,,	SNA
5	3301-001450	BD105	BEAD-AXIAL	45ohm,3.5x0.6x5.7mm,50mA,TP,,,	SNA
5	3301-001450	BD106	BEAD-AXIAL	45ohm,3.5x0.6x5.7mm,50mA,TP,,,	SNA
5	3301-001450	BD107	BEAD-AXIAL	45ohm,3.5x0.6x5.7mm,50mA,TP,,,	SNA
5	2301-000014	C101	C-FILM,LEAD-PEF	6.8nF,5%,100V,TP,5.8x12.5mm,5m	SA
5	2401-000025	C103	C-AL	100uF,20%,16V,GP,TP,6.3x11,5	SA
5	2401-000603	C104	C-AL	1uF,20%,50V,GP,TP,5X11,2	SA
5	2201-000376	C105	C-CERAMIC,DISC	0.22NF,5%,50V,SL,TP,6.3X3.5MM,5	SA
5	2201-000019	C106	C-CERAMIC,DISC	10nF,+80-20%,500V,Y5V,TP,13.5x4mm,5	SA
5	2401-002463	C111	C-AL	470uF,20%,16V,GP,TP,8x11.5,5	SA
5	2201-000119	C112	C-CERAMIC,DISC	100NF,+80-20%,50V,Y5V,TP,8X3MM,5	SA
5	2401-003036	C113	C-AL	100uF,20%,16V,GP,TP,5X11mm,5mm	SA
5	2201-000119	C114	C-CERAMIC,DISC	100NF,+80-20%,50V,Y5V,TP,8X3MM,5	SA
5	2401-003036	C115	C-AL	100uF,20%,16V,GP,TP,5X11mm,5mm	SA
5	2202-002009	C116	C-CERAMIC,MLC-AXIAL	100NF,+80-20%,50V,Y5V,TP,2.3X3.0MM,-	SA
5	2202-002008	C117	C-CERAMIC,MLC-AXIAL	10nF,+80-20%,50V,Y5V,TP,2.3X3.	SA
5	2202-002009	C118	C-CERAMIC,MLC-AXIAL	100NF,+80-20%,50V,Y5V,TP,2.3X3.0MM,-	SA
5	2401-003036	C119	C-AL	100uF,20%,16V,GP,TP,5X11mm,5mm	SA
5	2202-002009	C120	C-CERAMIC,MLC-AXIAL	100NF,+80-20%,50V,Y5V,TP,2.3X3.0MM,-	SA
5	2202-002009	C121	C-CERAMIC,MLC-AXIAL	100NF,+80-20%,50V,Y5V,TP,2.3X3.0MM,-	SA
5	2401-003036	C122	C-AL	100uF,20%,16V,GP,TP,5X11mm,5mm	SA
5	2301-000010	C123	C-FILM,LEAD-PEF	100nF,5%,100V,TP,11.5x12.5mm,5	SA
5	2401-001218	C124	C-AL	4.7uF,20%,100V,WT,TP,5x11,5	SA
5	2202-002009	C125	C-CERAMIC,MLC-AXIAL	100NF,+80-20%,50V,Y5V,TP,2.3X3.0MM,-	SA
5	2201-000019	C131	C-CERAMIC,DISC	10nF,+80-20%,500V,Y5V,TP,13.5x4mm,5	SA
5	2201-002147	C132	C-CERAMIC,DISC	2.7NF,10%,500V,Y5P,TP,10X4MM,5	SA
5	2201-000288	C133	C-CERAMIC,DISC	1NF,10%,2KV,Y5P,TP,9X5MM,7.5	SA
5	2202-002009	CB01	C-CERAMIC,MLC-AXIAL	100NF,+80-20%,50V,Y5V,TP,2.3X3.0MM,-	SA
5	2301-000010	CB03	C-FILM,LEAD-PEF	100nF,5%,100V,TP,11.5x12.5mm,5	SA
5	2401-003911	CB04	C-AL	1uF,20%,160V,BP,TP,6.3x11mm,5	SA
5	2202-002009	CG01	C-CERAMIC,MLC-AXIAL	100NF,+80-20%,50V,Y5V,TP,2.3X3.0MM,-	SA
5	2301-000010	CG03	C-FILM,LEAD-PEF	100nF,5%,100V,TP,11.5x12.5mm,5	SA
5	2401-003911	CG04	C-AL	1uF,20%,160V,BP,TP,6.3x11mm,5	SA
5	0203-001199	CIS6	TAPE-KRAFT	#53110,TO.1,W6,L2000M,BRN	SNA
5	0203-001200	CIS7	TAPE-PAPER	#53128,TO.15,W5.5,L2000M,BEIGE	SNA
5	BH71-40300A	CN_G2	PIN-HINGE	BRASS,D2.361,HEAT/SINK,SN	SNA
5	BH71-40300A	CN_GND	PIN-HINGE	BRASS,D2.361,HEAT/SINK,SN	SNA
5	2202-002009	CR01	C-CERAMIC,MLC-AXIAL	100NF,+80-20%,50V,Y5V,TP,2.3X3.0MM,-	SA

Level	Loc. No.	Code No.	Description	Specification	Remarks
5	2301-000010	CR03	C-FILM,LEAD-PEF	100nF,5%,100V,TP,11.5x12.5mm,5	SA
5	2401-003911	CR04	C-AL	1uF,20%,160V,BP,TP,6.3x11mm,5	SA
5	0401-000005	DB01	DIODE-SWITCHING	1N4148,75V,150MA,DO-35,TP	SA
5	0401-000005	DB02	DIODE-SWITCHING	1N4148,75V,150MA,DO-35,TP	SA
5	0401-000004	DB03	DIODE-SWITCHING	1SS244,220V,200MA,DO-34,TP	SA
5	0401-000004	DB04	DIODE-SWITCHING	1SS244,220V,200MA,DO-34,TP	SA
5	0401-000004	DB05	DIODE-SWITCHING	1SS244,220V,200MA,DO-34,TP	SA
5	0401-000005	DG01	DIODE-SWITCHING	1N4148,75V,150MA,DO-35,TP	SA
5	0401-000005	DG02	DIODE-SWITCHING	1N4148,75V,150MA,DO-35,TP	SA
5	0401-000004	DG03	DIODE-SWITCHING	1SS244,220V,200MA,DO-34,TP	SA
5	0401-000004	DG04	DIODE-SWITCHING	1SS244,220V,200MA,DO-34,TP	SA
5	0401-000004	DG05	DIODE-SWITCHING	1SS244,220V,200MA,DO-34,TP	SA
5	0401-000005	DR01	DIODE-SWITCHING	1N4148,75V,150MA,DO-35,TP	SA
5	0401-000005	DR02	DIODE-SWITCHING	1N4148,75V,150MA,DO-35,TP	SA
5	0401-000004	DR03	DIODE-SWITCHING	1SS244,220V,200MA,DO-34,TP	SA
5	0401-000004	DR04	DIODE-SWITCHING	1SS244,220V,200MA,DO-34,TP	SA
5	0401-000004	DR05	DIODE-SWITCHING	1SS244,220V,200MA,DO-34,TP	SA
5	6042-000001	EY1	EYELET	ID2.2,OD2.7,L3.1,NI+SN,BSP3-1/2H	SNA
5	6042-000001	EY2	EYELET	ID2.2,OD2.7,L3.1,NI+SN,BSP3-1/2H	SNA
5	6042-000002	EY3	EYELET	ID1.5,OD2,L2.8,NI+SN,BSP3-1/2H	SNA
5	6042-000002	EY4	EYELET	ID1.5,OD2,L2.8,NI+SN,BSP3-1/2H	SNA
5	6042-000002	EY5	EYELET	ID1.5,OD2,L2.8,NI+SN,BSP3-1/2H	SNA
5	BH39-40305U	JP101	CBF HARNESS	52MM,AWG22(0.6PI),--,AWG22(0.	SA
5	BH39-40305U	JP102	CBF HARNESS	52MM,AWG22(0.6PI),--,AWG22(0.	SA
5	BH39-40305U	JP103	CBF HARNESS	52MM,AWG22(0.6PI),--,AWG22(0.	SA
5	BH39-40305U	JP104	CBF HARNESS	52MM,AWG22(0.6PI),--,AWG22(0.	SA
5	2701-000172	LB01	INDUCTOR-AXIAL	0.33uH,10%,3070	SA
5	2701-000172	LB02	INDUCTOR-AXIAL	0.33uH,10%,3070	SA
5	2701-000172	LG01	INDUCTOR-AXIAL	0.33uH,10%,3070	SA
5	2701-000172	LG02	INDUCTOR-AXIAL	0.33uH,10%,3070	SA
5	2701-000172	LR01	INDUCTOR-AXIAL	0.33uH,10%,3070	SA
5	2701-000172	LR02	INDUCTOR-AXIAL	0.33uH,10%,3070	SA
5	BH41-00269A	MP1.0	PCB-VIDEO	LE17JS,FR-1,1,1.0,1.6T,81.7*123.5,LE17.6,VIDEO	SNA
5	2001-000076	R101	R-CARBON	47KOHM,5%,1/4W,AA,TP,2.4X6.4MM	SA
5	2001-000857	R102	R-CARBON	560OHM,5%,1/8W,AA,TP,1.8X3.2MM	SA
5	2001-000429	R103	R-CARBON	1KOHM,5%,1/8W,AA,TP,1.8X3.2MM	SA
5	2001-000702	R104	R-CARBON	39KOHM,5%,1/8W,AA,TP,1.8X3.2MM	SA
5	2001-000331	R105	R-CARBON	12KOHM,5%,1/8W,AA,TP,1.8X3.2MM	SA
5	2001-000429	R106	R-CARBON	1KOHM,5%,1/8W,AA,TP,1.8X3.2MM	SA
5	2001-000016	R107	R-CARBON(S)	10HM,5%,1/2W,AA,TP,2.4X6.4MM	SA
5	2001-000435	R111	R-CARBON	1MOHM,5%,1/8W,AA,TP,1.8X3.2MM	SA
5	2001-000812	R112	R-CARBON	5.6KOHM,5%,1/8W,AA,TP,1.8X3.2MM	SA
5	2001-000429	R113	R-CARBON	1KOHM,5%,1/8W,AA,TP,1.8X3.2MM	SA
5	2001-000429	R114	R-CARBON	1KOHM,5%,1/8W,AA,TP,1.8X3.2MM	SA
5	2001-000290	R121	R-CARBON	10KOHM,5%,1/8W,AA,TP,1.8X3.2MM	SA
5	2003-000419	R122	R-METAL OXIDE(S)	1.2ohm,5%,1W,AA,TP,3.3x9mm	SA
5	2001-001138	R131	R-CARBON(S)	390OHM,5%,1/2W,AA,TP,2.4X6.4MM	SA
5	2001-000037	R132	R-CARBON(S)	330OHM,5%,1/2W,AA,TP,2.4X6.4MM	SA
5	2001-000969	RB01	R-CARBON	75OHM,5%,1/8W,AA,TP,1.8X3.2MM	SA
5	2001-000969	RB02	R-CARBON	75OHM,5%,1/8W,AA,TP,1.8X3.2MM	SA
5	2001-000241	RB03	R-CARBON	1.5KOHM,5%,1/8W,AA,TP,1.8X3.2MM	SA
5	2001-001026	RB04	R-CARBON	910OHM,5%,1/8W,AA,TP,1.8X3.2MM	SA
5	2001-000117	RB06	R-CARBON(S)	68OHM,5%,1/2W,AA,TP,2.4X6.4MM	SA
5	2001-001161	RB07	R-CARBON(S)	560KOHM,5%,1/2W,AA,TP,2.4X6.4MM	SA
5	2001-000117	RB08	R-CARBON(S)	68OHM,5%,1/2W,AA,TP,2.4X6.4MM	SA
5	2001-000734	RB09	R-CARBON	4.7KOHM,5%,1/8W,AA,TP,1.8X3.2MM	SA
5	2001-000969	RG01	R-CARBON	75OHM,5%,1/8W,AA,TP,1.8X3.2MM	SA
5	2001-000969	RG02	R-CARBON	75OHM,5%,1/8W,AA,TP,1.8X3.2MM	SA
5	2001-000241	RG03	R-CARBON	1.5KOHM,5%,1/8W,AA,TP,1.8X3.2MM	SA
5	2001-001026	RG04	R-CARBON	910OHM,5%,1/8W,AA,TP,1.8X3.2MM	SA

Level	Loc. No.	Code No.	Description	Specification	Remarks
5	2001-000117	RG06	R-CARBON(S)	680HM,5%,1/2W,AA,TP,2.4X6.4MM	SA
5	2001-001161	RG07	R-CARBON(S)	560KOHM,5%,1/2W,AA,TP,2.4X6.4MM	SA
5	2001-000117	RG08	R-CARBON(S)	680HM,5%,1/2W,AA,TP,2.4X6.4MM	SA
5	2001-000734	RG09	R-CARBON	4.7KOHM,5%,1/8W,AA,TP,1.8X3.2MM	SA
5	2001-000969	RR01	R-CARBON	750HM,5%,1/8W,AA,TP,1.8X3.2MM	SA
5	2001-000969	RR02	R-CARBON	750HM,5%,1/8W,AA,TP,1.8X3.2MM	SA
5	2001-000241	RR03	R-CARBON	1.5KOHM,5%,1/8W,AA,TP,1.8X3.2MM	SA
5	2001-001026	RR04	R-CARBON	910OHM,5%,1/8W,AA,TP,1.8X3.2MM	SA
5	2001-000117	RR06	R-CARBON(S)	680HM,5%,1/2W,AA,TP,2.4X6.4MM	SA
5	2001-001161	RR07	R-CARBON(S)	560KOHM,5%,1/2W,AA,TP,2.4X6.4MM	SA
5	2001-000117	RR08	R-CARBON(S)	680HM,5%,1/2W,AA,TP,2.4X6.4MM	SA
5	2001-000734	RR09	R-CARBON	4.7KOHM,5%,1/8W,AA,TP,1.8X3.2MM	SA
5	1405-001064	SK104	SURGE ABSORBER	400V,20%,--,AXIAL	SA
5	4715-001065	SK105	SURGE ABSORBER	200V,20%,--,RADIAL	SNA
5	4715-001055	SK108	SURGE ABSORBER	1kV,+50-10%,--,RADIAL	SNA
5	4715-001065	SKB01	SURGE ABSORBER	200V,20%,--,RADIAL	SNA
5	4715-000102	SKG01	SURGE ABSORBER	200V,20%,1000A,-,RADIAL	SNA
5	4715-000102	SKR01	SURGE ABSORBER	200V,20%,1000A,-,RADIAL	SNA
5	0403-000361	ZD102	DIODE-ZENER	UZ6.2BSB,5.96-6.27V,500MW,DO-34,TP	SA
5	0403-000361	ZD103	DIODE-ZENER	UZ6.2BSB,5.96-6.27V,500MW,DO-34,TP	SA
5	0403-000361	ZD104	DIODE-ZENER	UZ6.2BSB,5.96-6.27V,500MW,DO-34,TP	SA
5	0403-000509	ZD105	DIODE-ZENER	MTZJ5.6B,5.4-5.7V,500MW,DO-34,TP	SA
5	0403-000361	ZD106	DIODE-ZENER	UZ6.2BSB,5.96-6.27V,500MW,DO-34,TP	SA

7-3-3 LE17KS(LE17KT) Others

Level	Loc. No.	Code No.	Description	Specification	Remarks
2	BH90-00592A	-	ASSY COVER REAR	LE17JS,EDC	SNA
3	BH63-00130A	C/R	COVER-REAR	LE17KS,ABS HB,IV16	SNA
2	BH90-00598A	-	ASSY STAND	LE17JS/LE15VS,EDC	SNA
3	BH96-00272A	STD	ASSY STAND P	LE17KS,ABS HB IV16	SNA
4	6902-000109	STD	BAG PE	HDPE,T0.015,L430,W350,TRP,28.2,PE MARK	SNA
4	BH60-00030A	STD	FASTENER-BAND	PN17LT,ST+PVC,P0.4,-,150,YELLOW,-,-,-	SNA
4	BH61-00049A	STD	STAND-BASE	LE17KS,ABS HB,IV16	SNA
4	BH61-00050A	STD	STAND-TOP	LE17KS,ABS HB,IV16	SNA
4	BH61-40002A	STD	FOOT-RUBBER	-,NR,PMS428U,GA4237,-,-,-	SNA
4	BH63-30103A	STD	FELT-STAND	MCM1755,FELT,T1.0,W10,L4	SNA
4	BH68-20366A	STD	LABEL-MARK STAND	,ART PAPER100(S),WHT	SNA
4	BH68-70306A	STD	CARD-STAND	CVM4967PWS(SKD),WONSTROW,CHAIN	SNA
2	BH90-00686C	-	ASSY COVER FRONT	LEO	SNA
3	6003-000009	C/F+C/R	SCREW-TAPTITE	BH,+B,M4,L16,ZPC(YEL),SWRCH18	SNA
3	6006-001119	C/F+CDT	SCREW-ASS'Y TAPT	WC,BH,+M5,L25,ZPC(YEL),SWRCH18A	SNA
3	BH96-00274E	-	ASSY COVER P-FRONT	LE17KS (S/M 793DF),ABS HB IV16,TC003	SNA
2	BH91-00843M	-	ASSY CDT-ST	OZ17L0M	SNA
3	0201-001576	CDT	ADHESIVE-RBR	DC-3140_RTV#0414,TRP,-,-	SNA
3	0203-000005	CDT	TAPE-ACETATE	SGT730,T0.26,W19,L3000,BLK	SNA
3	3302-000006	CDT	MAGNET-RUBBER	AF,14G,1620-1980G,0.58-0.9MGOe	SA
3	3309-000002	CDT	MAGNET-SHEET	5x20x80mm,UL94V-0,2	SA
3	BH03-00076A	CDT	CDT-ST	M41QCJ761X702(T4),70,17,0.25,29.1,IFT,H/C,NH,TCO,TILT,4	SA
3	BH68-30003C	CDT	LABEL-00,HIGH,VOLTAGE	SS,ART100G,30*33,YEL	SNA

Level	Loc. No.	Code No.	Description	Specification	Remarks
3	BH96-00292A	CDT	ASSY D-COIL P	17 inch,BH27-00148A,BH96-00289A	SNA
2	BH91-00870A	-	ASSY SHIELD	LE17JS	SNA
3	0201-001059	CIS	ADHESIVE-SIL	#9590,WHT,-,CARTRIGE	SNA
3	6003-001023	SH/COV+SH/BTM	SCREW-TAPTITE	RWH,+ ,B,M3,L10,ZPC(YEL),SWRCH1	SNA
3	BH96-00281A	CIS	ASSY MISC P-SHIELD COVER	LE17KS,SECC TO.5,AL TO.25	SNA
4	BH63-00132A	CIS	SHIELD-COVER TOP	LE17KS,AL,TO.25	SNA
4	BH63-00133A	CIS	SHIELD-COVER REAR	LE17KS,SECC,TO.5	SNA
4	BH63-00145A	CIS	SHEET-ANODE	LE17KS,PP V2,T1.0,WHITE	SNA
2	BH91-00964B	-	ASSY CHASSIS	LE17KS	SNA
2	BH92-01069A	-	ASSY P/MATERIAL	LE17JS	SNA
3	0203-001100	P/M	TAPE-OPP MASKING	OPP/W75/CLR,TO.05,W75,L800000,CLR	SNA
3	0203-001159	P/M	TAPE-FILAMENT	#8915,TO.15,W12,L55000,CLR	SNA
3	6902-000001	P/M	BAG AIR	LDPE,TO.2,L1800,W1000,TRP,,,LDPE ONLY	SNA
3	6902-000379	P/M	BAG AIR	HDPE,TO.2,L1800,W1000,TRP,,,PAPER	SNA
3	6902-000523	P/M	BAG PE	HDPE,TO.015,W900,L800,TRP,28 LANGUAGE,2-	SNA
3	6902-000576	P/M	BAG ROLL	LDPE,TO.05,W2400,L1000,TRP,-,-	SNA
3	BH69-00561A	P/M	CUSHION	LE17KS,EPS M50,DF	SNA
3	BH69-40380A	P/M	PACKING-PAD	DW-2,500X2200X200,-,CGK5527	SNA
2	BH92-01093A	-	ASSY LABEL	LEO-PJT(15/17/19)	SNA
3	BH68-00565D	LABEL	LABEL RATING-00	ALL,SS,PE,TO.05,90*65,BLK,POLYESTER,EDC	SNA
2	BH92-01161B	-	ASSY BOX	LEO	SNA
3	BH68-00530A	BOX	LABEL BOX-01	LABEL-BARCODE,CE+TC003,MOJO 90G,WHT	SNA
3	BH69-00570A	BOX	BOX	S/M793DF(LE17KS),W/W,CB-SW4,YEL,A-1,W452*D506*H435	SNA
2	BH92-01162A	-	ASSY ACCESSORY	LEO	SNA
3	BH96-00297A	UNIT/ACCESSORY	ASSY ACCESSORY	LEO	-
4	0203-000214	ACCESSORY	TAPE-OPP MASKING	OPP/W50/CLR,TO.05,W50,L400000,	SNA
4	6902-000110	ACCESSORY	BAG PE	LDPE,TO.05,L356,W240,TRP,28,2,PE MARK	SNA
4	BH39-10339H	ACCESSORY	CBF POWER CORD	DET,H05VV-F,250V/10,16A,BLK,25	SA
4	BH68-70418A	ACCESSORY	CARD-EU BLOC WARR-07	SyncMaster,BASIC,EU,MOJO,100G,	SNA
4	BH96-00296A	ACCESSORY	ASSY MANUAL P-IB+QSG	795DF,SyncMaster,W/W,27Lang,BH59-362A+BH68-376J	-
5	BH59-00362A	I/B	S/W DRIVER-00,IB	793S,795DF,W/W,SYNCMASER,27LANG	SNA
5	BH68-00376J	QUICK	MANUAL-01	AN_QUICK SETUP GUIDE,SYNCMASER,E/F/S/G/P/L.14LANGS,W/W,MOJO100G,298,420	SNA

7-4-1 LE17JS(LE17JT) Main PCB Parts

Level	Loc. No.	Code No.	Description	Specification	Remarks
0	LE17JSBB/EDC				
1	CC-LE17JSBB/EDC	-	3	CPT,HIGH-CON	-
3	BH94-00989R	-	ASSY PCB MAIN-SX	LEO	SNA
4	2306-000234	C451	C-FILM,LEAD-PPF	560nF,5%,250V,BK,26x20x13,20	SA
4	2306-000147	C503	C-FILM,LEAD-PPF	1uF,5%,250V,BK,26x24x15,22.5mm	SA
4	2301-001195	C601	C-FILM,LEAD-PPF	150nF,10%,275VAC,BK,26x16.5x7,	SA
4	2301-001195	C602	C-FILM,LEAD-PPF	150nF,10%,275VAC,BK,26x16.5x7,	SA
4	2401-003391	C605	C-AL	220uF,20%,450V,GP,BK,25x50,10	SA

Level	Loc. No.	Code No.	Description	Specification	Remarks
4	BH63-00134A	CIS1	SHIELD-BOTTOM	LE17KS,SECC,T1.0	SNA
4	BH39-00323D	CIS10	LEAD CONNECTOR-ASSY	OT17L0,8.0*0.16TA*16,150MM,35068-9822,35750-1010,BK,8.0*0.16TA*16	SA
4	BH63-00143A	CIS3	COVER-PCB R	LE17KS,ABS PC,IV16	SNA
4	BH63-00144A	CIS4	COVER-PCB L	LE17KS,ABS PC,IV16	SNA
4	BH68-00001A	CIS40	LABEL-MARK CDT	ART-PAPER 100G,-,WHT,BLK,-,ALL,CDT	SNA
4	0202-000008	CIS5	SOLDER-WIRE	HI-FLO,3.0,-,D3.0,63SN/37PB,-	SNA
4	0204-001527	CIS6	FLUX	DF-201TVS,MIX,0.820,FLUX 13%, 14KG	SNA
4	0204-000442	CIS7	SOLVENT	1M-1000,C3H7OH,96,-	SNA
4	0202-000187	CIS8	SOLDER-WIRE FLUX	-,D1.2,63SN/37PB RA,-	SNA
4	3711-003895	CN201	CONNECTOR-HEADER	BOX,13P,1R,2mm,STRAIGHT,SN	SA
4	3711-003873	CN202	CONNECTOR-HEADER	BOX,7P,1R,2mm,STRAIGHT,SN	SA
4	3711-004379	CN203	CONNECTOR-HEADER	BOX,4P,1R,2MM,STRAIGHT,SN	SA
4	3711-005055	CN401	CONNECTOR-HEADER	1WALL,4P,1R,10MM/8.0MM,STRAIGHT,SN-PB,WHT	SA
4	3721-001053	CN601	PLUG-AC POWER	3P,-,-,NI	SNA
4	0402-001295	D405	DIODE-RECTIFIER	GUR460L-5700,600V,4A,DO-201AD,BK	SA
4	0402-001313	D406	DIODE-RECTIFIER	ERD07-15AL,1.7VK,1.5A,DO-204AC,BK	SA
4	0402-001407	D601	DIODE-BRIDGE	G2SB60,600V,1.5A,SIP-4,BK	SA
4	0402-000005	D625	DIODE-RECTIFIER	31DF4,400V,3A,DO-201AD,BK	SA
4	6003-000122	FBT+H/S	SCREW-TAPTITE	BH,+ ,B,M4,L12,ZPC(YEL),SWRCH18	SNA
4	3601-001302	FH1	FUSE-AXIAL LEAD	250V,3.15A,SLOW-BLOW,CERAMIC,5X20MM	SA
4	BH63-00124A	HS401	SHIELD-IC	LE17KS,SPT,E,TO.2	SNA
4	6502-000001	HS490_CIS1	CABLE CLAMP	DAWH-5NB,D15,L35,NYLON66,NTR	SNA
4	6502-000001	HS490_CIS2	CABLE CLAMP	DAWH-5NB,D15,L35,NYLON66,NTR	SNA
4	3704-001071	IC201_SOCKET	SOCKET-IC	42P,DIP,SN,1.778mm	SA
4	1103-001106	IC241	IC-EEPROM	24C080,1Kx8Bit,DIP,8P,9.6x6.4mm,-,2.7/5.5V,-,-,25to+70C,10uA,-,ST	△ SA
4	1204-002259	IC401	IC-DEF. PROCESSOR	STV9118,SDIP,32P,27.94x8.89mm,PLASTIC,13.2V,-,0to+70C,ST,IC-DEF. PROCESSOR	△ SA
4	1203-003240	IC621	IC-POSI.FIXED REG.	L78M05,IPAK,3P,6.5x6.1mm,PLASTIC,4.75/5.25V,-,0to+150C,0.5A,-,ST	△ SA
4	1203-000243	IC622	IC-POSI.FIXED REG.	7812,TO-220,3P,-,PLASTIC,11.5/12.5V,-,16W,0to+125C,1A,-,ST	SA
4	BH27-00135A	L411	COIL CHOKE	120UH,CDTMO,120UH,10%,0.23OHM,5A,AR8X25,65.5TS,18X40MM,11MM,USTCO.12X20,TR,-10CT	SA
4	BH27-00132A	L441	COIL LINEARITY	5.4UH,5.4UH,DR12X15 C-4.5,7MM,15X15X35MM,12X8T,23.0TS,TR,12%,0.03OHM	SA
4	BH27-20342U	L442	COIL-CHOKE	-.8.2MH(250KHz),10%,DR8*11,-,-,-,10.5OHM,-,-,-,BULK	SA
4	BH27-00134A	L501	COIL CHOKE	100UH,CDTMO,100UH,10%,0.20HM,5.0A,AR8X25,60.5TS,18X40MM,11MM,USTCO.12X20,TR,-10C	SA
4	BH27-00007A	L601	COIL-LINE FILTER	SQE2424,25mH MIN,-,SQE 2424,-,PHENAL,-,-,0.32ohm,21*27*33,-,-,BULK	SA
4	6003-001023	M/PCB+SH/BTM	SCREW-TAPTITE	RWH,+ ,B,M3,L10,ZPC(YEL),SWRCH1	SNA
4	0505-001309	Q453	FET-SILICON	IRF630,N,200V,10A,0.4OHM,100W,TO-220	SA
4	0505-001685	Q454	FET-SILICON	STD7NS20-1,N,200V,7A,0.4OHM,45W,I-PAK	SA
4	3501-001111	RL601	RELAY-POWER	12VDC,250MW,5000MA,1FORMA,15MS,5MS	SA
4	6003-000133	SH/BTM+AC/SOCK	SCREW-TAPTITE	BH,+ ,S,M4,L8,ZPC(YEL),SWRCH18A,-	SNA
4	BH39-00451A	SIGNAL	CBF SIGNAL	LE17JS,15P/06P,07P,20276-N,1830mm,UJL20276,BLACK,D-SUB /MALE,BLACK,30V,ATT. TYPE	SA
4	BH26-00027A	T401	TRANS-HOR.DRIVE	FQB-17A001,PL-3,EI 1916,310UH	△ SA
4	BH26-00171A	T501	TRANS FBT	CF2166,LE17JS,1.50mH,FERRITE,0.32OHM,BULK,14P,-,10--+60,26.3kV	△ SA
4	BH26-00089A	T561	TRANS-FOCUS	EE-1916,AQ1916,5P,1.7mH,-,-,105mH,-,-,0.85ohm,-,PL-3,DMR30,TP-3,J2A,-,-,-,-	SA
4	BH26-00164A	T601	TRANS POWER	ER-3435,CU17KS,350uH,15,90-264V,80V,10-55,FERRITE,ER-3435,0.05ohm/0.350ohm,8uH M	SA
4	BH26-00163A	T602	TRANS	UU-1116,CU17K,5,18mH min,18mH min,2.7ohm MAX,10 - 55,FERRITE,UU-1116 SB-5S	SA
4	1404-001264	TH601	THERMISTOR-PTC	4.5OHM,+30/-20%,220V,290VAC,21A,-,TR	SA
4	1404-001020	TH602	THERMISTOR-NTC	8ohm,15%,-,-,17mW/C,BK	SA
4	2103-001049	VR441	VR-SEMI	100ohm,30%,1/5W,SIDE	SA
4	BH97-00505B	MICOM	ASSY MICOM	LE17JS	SA
5	BH82-00020H	CIS	A/S MICOM	LE17JS	SNA
5	0903-001194	IC201	IC-MICROCONTROLLER	3P863,88bit,SDIP,42P,600MIL,12MHz,ST,CMOS,PLASTIC,5V,-,40to+85C,1040BYTE,48KBYTE	△ SNA
4	BH97-00521E	-	ASSY AUTO-MAIN-AUTO	LE0	SNA
5	3301-001450	BD321	BEAD-AXIAL	45ohm,3.5x0.6x5.7mm,50mA,TP,,,	SNA
5	3301-001450	BD401	BEAD-AXIAL	45ohm,3.5x0.6x5.7mm,50mA,TP,,,	SNA
5	3301-001450	BD402	BEAD-AXIAL	45ohm,3.5x0.6x5.7mm,50mA,TP,,,	SNA
5	3301-001450	BD431	BEAD-AXIAL	45ohm,3.5x0.6x5.7mm,50mA,TP,,,	SNA
5	3301-001450	BD501	BEAD-AXIAL	45ohm,3.5x0.6x5.7mm,50mA,TP,,,	SNA
5	3301-001450	BD502	BEAD-AXIAL	45ohm,3.5x0.6x5.7mm,50mA,TP,,,	SNA
5	3301-001450	BD601	BEAD-AXIAL	45ohm,3.5x0.6x5.7mm,50mA,TP,,,	SNA

Level	Loc. No.	Code No.	Description	Specification	Remarks
5	3301-001450	BD621	BEAD-AXIAL	45ohm,3.5x0.6x5.7mm,50mA,TP,,,	SNA
5	3301-001450	BD622	BEAD-AXIAL	45ohm,3.5x0.6x5.7mm,50mA,TP,,,	SNA
5	2202-002037	C201	C-CERAMIC,MLC-AXIAL	100nF,80-20%,50V,Y5V,TP,2.2x3.	SA
5	2202-000205	C202	C-CERAMIC,MLC-AXIAL	22pF,5%,50V,SL,TP,1.9x3.5,-	SA
5	2202-000205	C203	C-CERAMIC,MLC-AXIAL	22pF,5%,50V,SL,TP,1.9x3.5,-	SA
5	2401-000603	C204	C-AL	1UF,20%,50V,GP,TP,5X11,2	SA
5	2202-000121	C205	C-CERAMIC,MLC-AXIAL	100pF,10%,50V,Y5P,TP,1.9x3.5,-	SA
5	2202-000796	C206	C-CERAMIC,MLC-AXIAL	1NF,10%,50V,Y5P,TP,3.5X1.9MM,-	SA
5	2202-000121	C207	C-CERAMIC,MLC-AXIAL	100pF,10%,50V,Y5P,TP,1.9x3.5,-	SA
5	2401-000603	C208	C-AL	1UF,20%,50V,GP,TP,5X11,2	SA
5	2401-000603	C209	C-AL	1UF,20%,50V,GP,TP,5X11,2	SA
5	2401-002299	C210	C-AL	4.7uF,20%,50V,GP,TP,5x7,5	SA
5	2401-002299	C211	C-AL	4.7uF,20%,50V,GP,TP,5x7,5	SA
5	2202-000205	C212	C-CERAMIC,MLC-AXIAL	22pF,5%,50V,SL,TP,1.9x3.5,-	SA
5	2401-002463	C301	C-AL	470uF,20%,16V,GP,TP,8x11.5,5	SA
5	2301-000148	C302	C-FILM,LEAD-PEF	10nF,5%,100V,TP,7x3.2x7mm,5mm	SA
5	2305-000665	C303	C-FILM,LEAD-PEF	100nF,5%,63V,TP,7.5x4.0x5.0mm,	SA
5	2301-000014	C304	C-FILM,LEAD-PEF	6.8nF,5%,100V,TP,5.8x12.5mm,5m	SA
5	2305-000289	C305	C-FILM,LEAD-PEF	220nF,5%,63V,TP,-,5mm	SA
5	2401-000852	C306	C-AL	220uF,20%,35V,GP,TP,8x11.5mm,5	SA
5	2202-002008	C307	C-CERAMIC,MLC-AXIAL	10nF,+80-20%,50V,Y5V,TP,2.3X3.	SA
5	2202-002037	C321	C-CERAMIC,MLC-AXIAL	100nF,80-20%,50V,Y5V,TP,2.2x3.	SA
5	2401-000480	C322	C-AL	10uF,20%,50V,GP,TP,5x11,5	SA
5	2305-000196	C331	C-FILM,LEAD-PEF	150nF,5%,63V,TP,-,5mm	SA
5	2305-000412	C332	C-FILM,LEAD-PEF	470nF,5%,63V,TP,-,5mm	SA
5	2401-002144	C333	C-AL	47uF,20%,16V,GP,TP,5x11,5	SA
5	2401-001334	C401	C-AL	0.47UF,20%,50V,GP,TP,5X11.2.5	SA
5	2401-001220	C402	C-AL	4.7uF,20%,160V,GP,TP,8x11.5,5	SA
5	2301-000010	C403	C-FILM,LEAD-PEF	100nF,5%,100V,TP,11.5x12.5mm,5	SA
5	2301-001463	C404	C-FILM,LEAD-PPF	4NF,5%,630V,TP,17X9X5,7,5	SA
5	2301-001304	C405	C-FILM,LEAD-PPF	1.5NF,5%,2.5KV,TP,23X17X11MM,7,5	△ SA
5	2301-001169	C406	C-FILM,LEAD-PPF	1.8nF,5%,2.5KV,TP,22.5x20x12.5	△ SA
5	2305-000178	C407	C-FILM,LEAD-PEF	10nF,5%,100V,TP,-,5mm	SA
5	2401-001914	C411	C-AL	1uF,20%,50V,BP,TP,5x11,5	SA
5	2201-000471	C412	C-CERAMIC,DISC	0.33NF,10%,50V,Y5P,TP,4X3.5MM,5	SA
5	2301-000016	C413	C-FILM,LEAD-PEF	22nF,5%,100V,TP,7.2x4.5x9.0mm,	SA
5	2305-000470	C414	C-FILM,LEAD-PEF	68nF,5%,100V,TP,-,5mm	SA
5	2401-001012	C415	C-AL	3.3UF,20%,50V,BP,TP,16X25,7,5	SA
5	2401-000025	C431	C-AL	100uF,20%,16V,GP,TP,6.3x11,5	SA
5	2305-000665	C432	C-FILM,LEAD-PEF	100nF,5%,63V,TP,7.5x4.0x5.0mm,	SA
5	2301-000148	C433	C-FILM,LEAD-PEF	10nF,5%,100V,TP,7x3.2x7mm,5mm	SA
5	2202-000573	C434	C-CERAMIC,MLC-RADIAL	0.82NF,5%,50V,COG,TP,5.1X3.2X5.1MM,5	SA
5	2301-000148	C435	C-FILM,LEAD-PEF	10nF,5%,100V,TP,7x3.2x7mm,5mm	SA
5	2401-000660	C436	C-AL	2.2uF,20%,50V,GP,TP,5x11,5	SA
5	2401-000603	C437	C-AL	1UF,20%,50V,GP,TP,5X11,2	SA
5	2401-002144	C438	C-AL	47uF,20%,16V,GP,TP,5x11,5	SA
5	2305-001033	C442	C-FILM,LEAD-PEF	15nF,10%,250V,TP,13X9.0X4.5mm,	SA
5	2305-001033	C443	C-FILM,LEAD-PEF	15nF,10%,250V,TP,13X9.0X4.5mm,	SA
5	2306-000164	C452	C-FILM,LEAD-PPF	220nF,5%,250V,TP,19x22x10,7.5m	SA
5	2306-000125	C453	C-FILM,LEAD-PPF	120nF,5%,250V,TP,19x15x7,7.5mm	SA
5	2301-001249	C454	C-FILM,LEAD-PPF	68nF,5%,400V,TP,19x7x15mm,7,5	SA
5	2306-000131	C455	C-FILM,LEAD-PPF	150nF,5%,250V,TP,19x16x7.5,7,5	SA
5	2401-000603	C456	C-AL	1UF,20%,50V,GP,TP,5X11,2	SA
5	2401-000603	C457	C-AL	1UF,20%,50V,GP,TP,5X11,2	SA
5	2401-000603	C458	C-AL	1UF,20%,50V,GP,TP,5X11,2	SA
5	2401-000603	C459	C-AL	1UF,20%,50V,GP,TP,5X11,2	SA
5	2401-003826	C501	C-AL	220UF,20%,63V,LR,TP,10X25MM,5	SA
5	2201-000291	C502	C-CERAMIC,DISC	1NF,10%,500V,Y5P,TP,7.5X3.5MM,5	SA
5	2401-002267	C504	C-AL	2.2uF,20%,250V,GP,TP,8x11.5,5	SA
5	2401-002267	C505	C-AL	2.2uF,20%,250V,GP,TP,8x11.5,5	SA

Level	Loc. No.	Code No.	Description	Specification	Remarks
5	2301-000294	C521	C-FILM,LEAD-PEF	56nF,5%,100V,TP,9.5x12.5mm,5mm	SA
5	2202-002037	C531	C-CERAMIC,MLC-AXIAL	100nF,80-20%,50V,Y5V,TP,2.2x3.	SA
5	2301-000106	C532	C-FILM,LEAD-PEF	1.5nF,0.05,100V,TP,10.5*12.5*6	SA
5	2401-000758	C533	C-AL	0.22UF,20%,50V,GP,TP,5X11,5	SA
5	2301-000016	C534	C-FILM,LEAD-PEF	22nF,5%,100V,TP,7.2x4.5x9.0mm,	SA
5	2301-000106	C535	C-FILM,LEAD-PEF	1.5nF,0.05,100V,TP,10.5*12.5*6	SA
5	2301-000110	C536	C-FILM,LEAD-PEF	1.8nF,5%,100V,TP,7x3.0x6.5mm,5	SA
5	2202-002037	C537	C-CERAMIC,MLC-AXIAL	100nF,80-20%,50V,Y5V,TP,2.2x3.	SA
5	2401-000480	C551	C-AL	10uF,20%,50V,GP,TP,5x11,5	SA
5	2201-000291	C552	C-CERAMIC,DISC	1NF,10%,500V,Y5P,TP,7.5X3.5MM,5	SA
5	2201-000132	C553	C-CERAMIC,DISC	0.1NF,10%,500V,Y5P,TP,6.5X3MM,5	SA
5	2201-000291	C561	C-CERAMIC,DISC	1NF,10%,500V,Y5P,TP,7.5X3.5MM,5	SA
5	2201-000023	C603	C-CERAMIC,DISC	2.2NF,20%,250V,Y5U,TP,11X7MM,5	SA
5	2201-000023	C604	C-CERAMIC,DISC	2.2NF,20%,250V,Y5U,TP,11X7MM,5	SA
5	2401-000970	C606	C-AL	22uF,20%,50V,WT,TP,5x11,5	SA
5	2202-002037	C607	C-CERAMIC,MLC-AXIAL	100nF,80-20%,50V,Y5V,TP,2.2x3.	SA
5	2201-000325	C608	C-CERAMIC,DISC	2.2NF,10%,500V,Y5P,TP,9.5X4MM,5	SA
5	2201-000129	C609	C-CERAMIC,DISC	0.1NF,10%,1KV,Y5P,TP,7X4MM,5	SA
5	2301-000188	C610	C-FILM,LEAD-PEF	1nF,5%,100V,TP,10.5x12.5x6.5,5	SA
5	2401-000611	C611	C-AL	1uF,20%,50V,WT,TP,5x11,5	SA
5	2305-000665	C613	C-FILM,LEAD-PEF	100nF,5%,63V,TP,7.5x4.0x5.0mm,	SA
5	2301-000284	C614	C-FILM,LEAD-PEF	47nF,5%,100V,TP,8.5x12.5mm,5mm	SA
5	2401-001513	C615	C-AL	47uF,20%,16V,WT,TP,5x11,5	SA
5	2202-002037	C616	C-CERAMIC,MLC-AXIAL	100nF,80-20%,50V,Y5V,TP,2.2x3.	SA
5	2201-000023	C617	C-CERAMIC,DISC	2.2NF,20%,250V,Y5U,TP,11X7MM,5	SA
5	2401-003046	C618	C-AL	47uF,20%,50V,WT,TP,6.3x11,2.5	SA
5	2201-000291	C619	C-CERAMIC,DISC	1NF,10%,500V,Y5P,TP,7.5X3.5MM,5	SA
5	2305-000178	C621	C-FILM,LEAD-PEF	10nF,5%,100V,TP,-,5mm	SA
5	2401-000039	C622	C-AL	1000uF,20%,16V,GP,TP,10x16,5	SA
5	2401-000025	C624	C-AL	100uF,20%,16V,GP,TP,6.3x11,5	SA
5	2401-000025	C625	C-AL	100uF,20%,16V,GP,TP,6.3x11,5	SA
5	2401-002463	C626	C-AL	470uF,20%,16V,GP,TP,8x11.5,5	SA
5	2401-000039	C627	C-AL	1000uF,20%,16V,GP,TP,10x16,5	SA
5	2401-002300	C628	C-AL	47uF,20%,50V,GP,TP,6.3x11,5	SA
5	2401-003826	C629	C-AL	220UF,20%,63V,LR,TP,10X25MM,5	SA
5	2201-000469	C630	C-CERAMIC,DISC	0.33NF,10%,500V,Y5P,TP,5.5X3MM,5	SA
5	2401-000039	C631	C-AL	1000uF,20%,16V,GP,TP,10x16,5	SA
5	2401-000025	C632	C-AL	100uF,20%,16V,GP,TP,6.3x11,5	SA
5	3711-000197	CN321	CONNECTOR-HEADER	1WALL,3P,1R,2.5mm,STRAIGHT,SN	SA
5	3711-000217	CN602	CONNECTOR-HEADER	1WALL,2P,1R,7.92MM,STRAIGHT,SN,NTR	SA
5	0401-000005	D201	DIODE-SWITCHING	1N4148,75V,150MA,DO-35,TP	SA
5	0402-000128	D301	DIODE-RECTIFIER	1N4002GP,100V,1A,DO-41,TP	SA
5	0402-000546	D302	DIODE-RECTIFIER	TVR10G,400V,1.0A,DO-41,TP	SA
5	0401-000005	D341	DIODE-SWITCHING	1N4148,75V,150MA,DO-35,TP	SA
5	0401-000005	D401	DIODE-SWITCHING	1N4148,75V,150MA,DO-35,TP	SA
5	0401-000004	D402	DIODE-SWITCHING	1SS244,220V,200MA,DO-34,TP	SA
5	0402-000208	D403	DIODE-RECTIFIER	EK-04,40V,1A,DO-41,TP	SA
5	0402-000274	D404	DIODE-RECTIFIER	UF4004,400V,1A,DO-41,TP	SA
5	0401-000005	D411	DIODE-SWITCHING	1N4148,75V,150MA,DO-35,TP	SA
5	0401-000005	D412	DIODE-SWITCHING	1N4148,75V,150MA,DO-35,TP	SA
5	0401-000005	D413	DIODE-SWITCHING	1N4148,75V,150MA,DO-35,TP	SA
5	0401-000005	D414	DIODE-SWITCHING	1N4148,75V,150MA,DO-35,TP	SA
5	0402-000274	D441	DIODE-RECTIFIER	UF4004,400V,1A,DO-41,TP	SA
5	0402-000546	D442	DIODE-RECTIFIER	TVR10G,400V,1.0A,DO-41,TP	SA
5	0402-000546	D443	DIODE-RECTIFIER	TVR10G,400V,1.0A,DO-41,TP	SA
5	0402-000006	D451	DIODE-RECTIFIER	1N4007GP,1KV,1A,DO-41,TP	SA
5	0402-000006	D452	DIODE-RECTIFIER	1N4007GP,1KV,1A,DO-41,TP	SA
5	0402-000006	D453	DIODE-RECTIFIER	1N4007GP,1KV,1A,DO-41,TP	SA
5	0402-000006	D454	DIODE-RECTIFIER	1N4007GP,1KV,1A,DO-41,TP	SA
5	0402-000546	D455	DIODE-RECTIFIER	TVR10G,400V,1.0A,DO-41,TP	SA

Level	Loc. No.	Code No.	Description	Specification	Remarks
5	0402-001118	D501	DIODE-RECTIFIER	UF1G,400V,1.2A,DO-204AC,TP	SA
5	0402-000274	D502	DIODE-RECTIFIER	UF4004,400V,1A,DO-41,TP	SA
5	0402-000546	D503	DIODE-RECTIFIER	TVR10G,400V,1.0A,DO-41,TP	SA
5	0402-000546	D504	DIODE-RECTIFIER	TVR10G,400V,1.0A,DO-41,TP	SA
5	0401-000005	D511	DIODE-SWITCHING	1N4148,75V,150MA,DO-35,TP	SA
5	0401-000005	D512	DIODE-SWITCHING	1N4148,75V,150MA,DO-35,TP	SA
5	0401-000005	D521	DIODE-SWITCHING	1N4148,75V,150MA,DO-35,TP	SA
5	0401-000005	D522	DIODE-SWITCHING	1N4148,75V,150MA,DO-35,TP	SA
5	0401-000005	D523	DIODE-SWITCHING	1N4148,75V,150MA,DO-35,TP	SA
5	0401-000004	D531	DIODE-SWITCHING	1SS244,220V,200MA,DO-34,TP	SA
5	0401-000004	D532	DIODE-SWITCHING	1SS244,220V,200MA,DO-34,TP	SA
5	0401-000005	D533	DIODE-SWITCHING	1N4148,75V,150MA,DO-35,TP	SA
5	0402-000012	D603	DIODE-RECTIFIER	UF4007,1KV,1A,DO-41,TP	SA
5	0402-000012	D604	DIODE-RECTIFIER	UF4007,1KV,1A,DO-41,TP	SA
5	0402-000546	D605	DIODE-RECTIFIER	TVR10G,400V,1.0A,DO-41,TP	SA
5	0402-000546	D606	DIODE-RECTIFIER	TVR10G,400V,1.0A,DO-41,TP	SA
5	0401-000005	D607	DIODE-SWITCHING	1N4148,75V,150MA,DO-35,TP	SA
5	0401-000005	D608	DIODE-SWITCHING	1N4148,75V,150MA,DO-35,TP	SA
5	0401-000005	D621	DIODE-SWITCHING	1N4148,75V,150MA,DO-35,TP	SA
5	0402-001194	D622	DIODE-RECTIFIER	UG2D,200V,2A,-,TP	SA
5	0402-000274	D623	DIODE-RECTIFIER	UF4004,400V,1A,DO-41,TP	SA
5	0402-000274	D624	DIODE-RECTIFIER	UF4004,400V,1A,DO-41,TP	SA
5	0402-000012	D626	DIODE-RECTIFIER	UF4007,1KV,1A,DO-41,TP	SA
5	0402-001194	D627	DIODE-RECTIFIER	UG2D,200V,2A,-,TP	SA
5	0402-000274	D628	DIODE-RECTIFIER	UF4004,400V,1A,DO-41,TP	SA
5	6042-000001	EY301	EYELET	ID2.2,OD2.7,L3.1,NI+SN,BSP3-1/2H	SNA
5	6042-000001	EY302	EYELET	ID2.2,OD2.7,L3.1,NI+SN,BSP3-1/2H	SNA
5	6042-000001	EY401	EYELET	ID2.2,OD2.7,L3.1,NI+SN,BSP3-1/2H	SNA
5	6042-000001	EY402	EYELET	ID2.2,OD2.7,L3.1,NI+SN,BSP3-1/2H	SNA
5	6042-000001	EY403	EYELET	ID2.2,OD2.7,L3.1,NI+SN,BSP3-1/2H	SNA
5	6042-000002	EY404	EYELET	ID1.5,OD2,L2.8,NI+SN,BSP3-1/2H	SNA
5	6042-000002	EY405	EYELET	ID1.5,OD2,L2.8,NI+SN,BSP3-1/2H	SNA
5	6042-000002	EY406	EYELET	ID1.5,OD2,L2.8,NI+SN,BSP3-1/2H	SNA
5	6042-000002	EY441	EYELET	ID1.5,OD2,L2.8,NI+SN,BSP3-1/2H	SNA
5	6042-000002	EY442	EYELET	ID1.5,OD2,L2.8,NI+SN,BSP3-1/2H	SNA
5	6042-000002	EY501	EYELET	ID1.5,OD2,L2.8,NI+SN,BSP3-1/2H	SNA
5	6042-000002	EY502	EYELET	ID1.5,OD2,L2.8,NI+SN,BSP3-1/2H	SNA
5	6042-000002	EY503	EYELET	ID1.5,OD2,L2.8,NI+SN,BSP3-1/2H	SNA
5	6042-000002	EY504	EYELET	ID1.5,OD2,L2.8,NI+SN,BSP3-1/2H	SNA
5	6042-000002	EY505	EYELET	ID1.5,OD2,L2.8,NI+SN,BSP3-1/2H	SNA
5	6042-000002	EY506	EYELET	ID1.5,OD2,L2.8,NI+SN,BSP3-1/2H	SNA
5	6042-000002	EY507	EYELET	ID1.5,OD2,L2.8,NI+SN,BSP3-1/2H	SNA
5	6042-000001	EY601	EYELET	ID2.2,OD2.7,L3.1,NI+SN,BSP3-1/2H	SNA
5	6042-000001	EY602	EYELET	ID2.2,OD2.7,L3.1,NI+SN,BSP3-1/2H	SNA
5	6042-000001	EY603	EYELET	ID2.2,OD2.7,L3.1,NI+SN,BSP3-1/2H	SNA
5	6042-000001	EY604	EYELET	ID2.2,OD2.7,L3.1,NI+SN,BSP3-1/2H	SNA
5	6042-000001	EY605	EYELET	ID2.2,OD2.7,L3.1,NI+SN,BSP3-1/2H	SNA
5	6042-000001	EY606	EYELET	ID2.2,OD2.7,L3.1,NI+SN,BSP3-1/2H	SNA
5	6042-000002	EY607	EYELET	ID1.5,OD2,L2.8,NI+SN,BSP3-1/2H	SNA
5	6042-000002	EY608	EYELET	ID1.5,OD2,L2.8,NI+SN,BSP3-1/2H	SNA
5	6042-000002	EY621	EYELET	ID1.5,OD2,L2.8,NI+SN,BSP3-1/2H	SNA
5	6042-000002	EY622	EYELET	ID1.5,OD2,L2.8,NI+SN,BSP3-1/2H	SNA
5	BH71-40300A	GT601	PIN-HINGE	BRASS,D2.36!,HEAT/SINK,SN	SNA
5	BH71-40300A	GT602	PIN-HINGE	BRASS,D2.36!,HEAT/SINK,SN	SNA
5	BH39-40305U	JP1	CBF HARNESS	52MM,AWG22(0.6PI),-,-,AWG22(0.	SA
5	BH39-40305U	JP10	CBF HARNESS	52MM,AWG22(0.6PI),-,-,AWG22(0.	SA
5	BH39-40305U	JP11	CBF HARNESS	52MM,AWG22(0.6PI),-,-,AWG22(0.	SA
5	BH39-40305U	JP12	CBF HARNESS	52MM,AWG22(0.6PI),-,-,AWG22(0.	SA
5	BH39-40305U	JP13	CBF HARNESS	52MM,AWG22(0.6PI),-,-,AWG22(0.	SA
5	BH39-40305U	JP14	CBF HARNESS	52MM,AWG22(0.6PI),-,-,AWG22(0.	SA

Level	Loc. No.	Code No.	Description	Specification	Remarks
5	BH39-40305U	JP15	CBF HARNESS	52MM,AWG22(0.6PI),-,-,AWG22(0.	SA
5	BH39-40305U	JP16	CBF HARNESS	52MM,AWG22(0.6PI),-,-,AWG22(0.	SA
5	BH39-40305U	JP17	CBF HARNESS	52MM,AWG22(0.6PI),-,-,AWG22(0.	SA
5	BH39-40305U	JP18	CBF HARNESS	52MM,AWG22(0.6PI),-,-,AWG22(0.	SA
5	BH39-40305U	JP19	CBF HARNESS	52MM,AWG22(0.6PI),-,-,AWG22(0.	SA
5	BH39-40305U	JP2	CBF HARNESS	52MM,AWG22(0.6PI),-,-,AWG22(0.	SA
5	BH39-40305U	JP20	CBF HARNESS	52MM,AWG22(0.6PI),-,-,AWG22(0.	SA
5	BH39-40305U	JP21	CBF HARNESS	52MM,AWG22(0.6PI),-,-,AWG22(0.	SA
5	BH39-40305U	JP22	CBF HARNESS	52MM,AWG22(0.6PI),-,-,AWG22(0.	SA
5	BH39-40305U	JP23	CBF HARNESS	52MM,AWG22(0.6PI),-,-,AWG22(0.	SA
5	BH39-40305U	JP24	CBF HARNESS	52MM,AWG22(0.6PI),-,-,AWG22(0.	SA
5	BH39-40305U	JP25	CBF HARNESS	52MM,AWG22(0.6PI),-,-,AWG22(0.	SA
5	BH39-40305U	JP26	CBF HARNESS	52MM,AWG22(0.6PI),-,-,AWG22(0.	SA
5	3301-001450	JP27	BEAD-AXIAL	45ohm,3.5x0.6x5.7mm,50mA,TP,,,	SNA
5	BH39-40305U	JP3	CBF HARNESS	52MM,AWG22(0.6PI),-,-,AWG22(0.	SA
5	BH39-40305U	JP31	CBF HARNESS	52MM,AWG22(0.6PI),-,-,AWG22(0.	SA
5	BH39-40305U	JP32	CBF HARNESS	52MM,AWG22(0.6PI),-,-,AWG22(0.	SA
5	BH39-40305U	JP33	CBF HARNESS	52MM,AWG22(0.6PI),-,-,AWG22(0.	SA
5	BH39-40305U	JP34	CBF HARNESS	52MM,AWG22(0.6PI),-,-,AWG22(0.	SA
5	BH39-40305U	JP35	CBF HARNESS	52MM,AWG22(0.6PI),-,-,AWG22(0.	SA
5	BH39-40305U	JP37	CBF HARNESS	52MM,AWG22(0.6PI),-,-,AWG22(0.	SA
5	BH39-40305U	JP38	CBF HARNESS	52MM,AWG22(0.6PI),-,-,AWG22(0.	SA
5	BH39-40305U	JP4	CBF HARNESS	52MM,AWG22(0.6PI),-,-,AWG22(0.	SA
5	BH39-40305U	JP5	CBF HARNESS	52MM,AWG22(0.6PI),-,-,AWG22(0.	SA
5	BH39-40305U	JP6	CBF HARNESS	52MM,AWG22(0.6PI),-,-,AWG22(0.	SA
5	BH39-40305U	JP7	CBF HARNESS	52MM,AWG22(0.6PI),-,-,AWG22(0.	SA
5	BH39-40305U	JP8	CBF HARNESS	52MM,AWG22(0.6PI),-,-,AWG22(0.	SA
5	BH39-40305U	JP9	CBF HARNESS	52MM,AWG22(0.6PI),-,-,AWG22(0.	SA
5	BH41-00268A	MP1.0	PCB MAIN	LE17JS,FR-1,1,1.0,1.6T,247*247,LE17,MAIN	SNA
5	0501-000122	Q321	TR-SMALL SIGNAL	2N3904,NPN,625mW,TO-92,TP,100-300	SA
5	0501-000581	Q322	TR-SMALL SIGNAL	2N3906,PNP,625mW,TO-92,TP,100-300	SA
5	0501-000122	Q323	TR-SMALL SIGNAL	2N3904,NPN,625mW,TO-92,TP,100-300	SA
5	0501-000372	Q401	TR-SMALL SIGNAL	KSC2383-Y,NPN,900000mW,TO-92L,TP,160-320	SA
5	0501-000303	Q411	TR-SMALL SIGNAL	KSA733,PNP,250mW,TO-92,TP,120-240	SA
5	0501-000303	Q412	TR-SMALL SIGNAL	KSA733,PNP,250mW,TO-92,TP,120-240	SA
5	0501-000140	Q413	TR-SMALL SIGNAL	2N5551,NPN,625mW,TO-92,TP,80-250	SA
5	0501-000412	Q455	TR-SMALL SIGNAL	KSP42,NPN,625mW,TO-92,-,40	SA
5	0501-000412	Q456	TR-SMALL SIGNAL	KSP42,NPN,625mW,TO-92,-,40	SA
5	0501-000412	Q457	TR-SMALL SIGNAL	KSP42,NPN,625mW,TO-92,-,40	SA
5	0501-000412	Q458	TR-SMALL SIGNAL	KSP42,NPN,625mW,TO-92,-,40	SA
5	0501-000586	Q501	TR-SMALL SIGNAL	KSC945,NPN,250mW,TO-92,TP,120-240	SA
5	0501-000303	Q502	TR-SMALL SIGNAL	KSA733,PNP,250mW,TO-92,TP,120-240	SA
5	0501-000586	Q511	TR-SMALL SIGNAL	KSC945,NPN,250mW,TO-92,TP,120-240	SA
5	0501-000143	Q512	TR-SMALL SIGNAL	2N6520,PNP,625mW,TO-92,TP,30-200	SA
5	0501-000413	Q551	TR-SMALL SIGNAL	KSP44,NPN,625mW,TO-92,TP,50-200	SA
5	0501-000122	Q601	TR-SMALL SIGNAL	2N3904,NPN,625mW,TO-92,TP,100-300	SA
5	0501-000010	Q621	TR-SMALL SIGNAL	KSC1008,NPN,800mW,TO-92,TP,120-240	SA
5	0501-000586	Q622	TR-SMALL SIGNAL	KSC945,NPN,250mW,TO-92,TP,120-240	SA
5	0501-000404	Q623	TR-SMALL SIGNAL	KSD1616-Y,NPN,750mW,TO-92,TP,135-270	SA
5	0501-000586	Q624	TR-SMALL SIGNAL	KSC945,NPN,250mW,TO-92,TP,120-240	SA
5	0501-002228	Q625	TR-SMALL SIGNAL	KTA1281,PNP,1000mW,TO-92L,TP,120-240	SA
5	2001-000869	R201	R-CARBON	56OHM,5%,1/8W,AA,TP,1.8X3.2MM	SA
5	2001-000290	R202	R-CARBON	10KOHM,5%,1/8W,AA,TP,1.8X3.2MM	SA
5	2001-000008	R203	R-CARBON	15KOHM,5%,1/8W,AA,TP,1.8X3.2MM	SA
5	2001-000008	R204	R-CARBON	15KOHM,5%,1/8W,AA,TP,1.8X3.2MM	SA
5	2001-000869	R205	R-CARBON	56OHM,5%,1/8W,AA,TP,1.8X3.2MM	SA
5	2001-000869	R206	R-CARBON	56OHM,5%,1/8W,AA,TP,1.8X3.2MM	SA
5	2001-000290	R207	R-CARBON	10KOHM,5%,1/8W,AA,TP,1.8X3.2MM	SA
5	2001-000290	R208	R-CARBON	10KOHM,5%,1/8W,AA,TP,1.8X3.2MM	SA
5	2001-000734	R209	R-CARBON	4.7KOHM,5%,1/8W,AA,TP,1.8X3.2MM	SA

Level	Loc. No.	Code No.	Description	Specification	Remarks
5	2001-000734	R210	R-CARBON	4.7KOHM,5%,1/8W,AA,TP,1.8X3.2MM	SA
5	2001-000734	R211	R-CARBON	4.7KOHM,5%,1/8W,AA,TP,1.8X3.2MM	SA
5	2001-000734	R212	R-CARBON	4.7KOHM,5%,1/8W,AA,TP,1.8X3.2MM	SA
5	2001-000281	R213	R-CARBON	100OHM,5%,1/8W,AA,TP,1.8X3.2MM	SA
5	2001-000281	R214	R-CARBON	100OHM,5%,1/8W,AA,TP,1.8X3.2MM	SA
5	2001-000554	R215	R-CARBON	2700HM,5%,1/8W,AA,TP,1.8X3.2MM	SA
5	2001-000591	R216	R-CARBON	3.3KOHM,5%,1/8W,AA,TP,1.8X3.2MM	SA
5	2001-000281	R217	R-CARBON	100OHM,5%,1/8W,AA,TP,1.8X3.2MM	SA
5	2001-000281	R218	R-CARBON	100OHM,5%,1/8W,AA,TP,1.8X3.2MM	SA
5	2001-000281	R219	R-CARBON	100OHM,5%,1/8W,AA,TP,1.8X3.2MM	SA
5	2001-000429	R220	R-CARBON	1KOHM,5%,1/8W,AA,TP,1.8X3.2MM	SA
5	2001-000515	R221	R-CARBON	220OHM,5%,1/8W,AA,TP,1.8X3.2MM	SA
5	2001-000290	R222	R-CARBON	10KOHM,5%,1/8W,AA,TP,1.8X3.2MM	SA
5	2001-000290	R223	R-CARBON	10KOHM,5%,1/8W,AA,TP,1.8X3.2MM	SA
5	2001-000241	R224	R-CARBON	1.5KOHM,5%,1/8W,AA,TP,1.8X3.2MM	SA
5	2001-000435	R225	R-CARBON	1MOHM,5%,1/8W,AA,TP,1.8X3.2MM	SA
5	2001-000869	R231	R-CARBON	560HM,5%,1/8W,AA,TP,1.8X3.2MM	SA
5	2001-000869	R232	R-CARBON	560HM,5%,1/8W,AA,TP,1.8X3.2MM	SA
5	2001-000281	R241	R-CARBON	100OHM,5%,1/8W,AA,TP,1.8X3.2MM	SA
5	2001-000281	R242	R-CARBON	100OHM,5%,1/8W,AA,TP,1.8X3.2MM	SA
5	2001-000281	R243	R-CARBON	100OHM,5%,1/8W,AA,TP,1.8X3.2MM	SA
5	2001-000009	R302	R-CARBON	20KOHM,5%,1/8W,AA,TP,1.8X3.2MM	SA
5	2004-001254	R303	R-METAL	8.2Kohm,1%,1/4W,AA,TP,2.4x6.4m	SA
5	2001-000734	R304	R-CARBON	4.7KOHM,5%,1/8W,AA,TP,1.8X3.2MM	SA
5	2004-000616	R305	R-METAL	24Kohm,1%,1/4W,AA,TP,2.4x6.4mm	SA
5	2004-001005	R306	R-METAL	5.1Kohm,1%,1/4W,AA,TP,2.4x6.4m	SA
5	2004-001022	R307	R-METAL	5.6Kohm,1%,1/4W,AA,TP,2.4x6.4m	SA
5	2004-001409	R308	R-METAL	2.7ohm,1%,1/4W,AA,TP,2.4x6.4mm	SA
5	2004-000481	R309	R-METAL	2.4Kohm,1%,1/4W,AA,TP,2.4x6.4m	SA
5	2001-001126	R310	R-CARBON(S)	300OHM,5%,1/2W,AA,TP,2.4X6.4MM	SA
5	2001-000908	R311	R-CARBON	62KOHM,5%,1/8W,AA,TP,1.8X3.2MM	SA
5	2001-001053	R312	R-CARBON(S)	1.5OHM,5%,1/2W,AA,TP,2.4X6.4MM	SA
5	2001-000290	R321	R-CARBON	10KOHM,5%,1/8W,AA,TP,1.8X3.2MM	SA
5	2001-000878	R322	R-CARBON	6.2KOHM,5%,1/8W,AA,TP,1.8X3.2MM	SA
5	2001-000302	R323	R-CARBON	100HM,5%,1/8W,AA,TP,1.8X3.2MM	SA
5	2001-000273	R324	R-CARBON	100KOHM,5%,1/8W,AA,TP,1.8X3.2MM	SA
5	2001-000042	R325	R-CARBON	1KOHM,5%,1/4W,AA,TP,2.4X6.4MM	SA
5	2001-000281	R326	R-CARBON	100OHM,5%,1/8W,AA,TP,1.8X3.2MM	SA
5	2001-001079	R327	R-CARBON(S)	150HM,5%,1/2W,AA,TP,2.4X6.4MM	SA
5	2001-001079	R328	R-CARBON(S)	150HM,5%,1/2W,AA,TP,2.4X6.4MM	SA
5	2001-000734	R331	R-CARBON	4.7KOHM,5%,1/8W,AA,TP,1.8X3.2MM	SA
5	2004-000979	R332	R-METAL	47Kohm,1%,1/4W,AA,TP,2.4x6.4mm	SA
5	2001-000908	R333	R-CARBON	62KOHM,5%,1/8W,AA,TP,1.8X3.2MM	SA
5	2001-000281	R334	R-CARBON	100OHM,5%,1/8W,AA,TP,1.8X3.2MM	SA
5	2001-001088	R401	R-CARBON(S)	1KOHM,5%,1/2W,AA,TP,2.4X6.4MM	SA
5	2001-000110	R402	R-CARBON	100HM,5%,1/4W,AA,TP,2.4X6.4MM	SA
5	2001-000429	R403	R-CARBON	1KOHM,5%,1/8W,AA,TP,1.8X3.2MM	SA
5	2001-000319	R404	R-CARBON	120KOHM,5%,1/8W,AA,TP,1.8X3.2MM	SA
5	2001-001078	R405	R-CARBON(S)	15KOHM,5%,1/2W,AA,TP,2.4X6.4MM	SA
5	2003-002108	R406	R-METAL OXIDE(S)	300ohm,5%,3W,AA,TP,15x5.5mm	SA
5	2005-001163	R407	R-WIRE WOUND,NON	0.68ohm,1%,3W,AA,TP,5.5x15mm	SA
5	2001-000020	R408	R-CARBON(S)	220HM,5%,1/2W,AA,TP,2.4X6.4MM	SA
5	2001-000019	R409	R-CARBON(S)	100HM,5%,1/2W,AA,TP,2.4X6.4MM	SA
5	2004-000193	R411	R-METAL	100Kohm,1%,1/4W,AA,TP,2.4x6.4m	SA
5	2004-000327	R412	R-METAL	150Kohm,1%,1/4W,AA,TP,2.4x6.4m	SA
5	2004-001349	R415	R-METAL	91Kohm,1%,1/4W,AA,TP,2.4x6.4mm	SA
5	2004-000979	R416	R-METAL	47Kohm,1%,1/4W,AA,TP,2.4x6.4mm	SA
5	2001-000531	R417	R-CARBON	240KOHM,5%,1/8W,AA,TP,1.8X3.2MM	SA
5	2001-000221	R418	R-CARBON	1.2KOHM,5%,1/8W,AA,TP,1.8X3.2MM	SA
5	2004-000327	R419	R-METAL	150Kohm,1%,1/4W,AA,TP,2.4x6.4m	SA

Level	Loc. No.	Code No.	Description	Specification	Remarks
5	2004-000176	R420	R-METAL	1.8Kohm,1%,1/4W,AA,TP,2.4x6.4m	SA
5	2004-001254	R421	R-METAL	8.2Kohm,1%,1/4W,AA,TP,2.4x6.4m	SA
5	2004-001254	R431	R-METAL	8.2Kohm,1%,1/4W,AA,TP,2.4x6.4m	SA
5	2001-000449	R432	R-CARBON	2.2KOHM,5%,1/8W,AA,TP,1.8X3.2MM	SA
5	2003-000525	R441	R-METAL OXIDE(S)	180ohm,5%,2W,AA,TP,4x12mm	SA
5	2003-000514	R442	R-METAL OXIDE(S)	15ohm,5%,2W,AA,TP,4x12mm	SA
5	2003-000514	R443	R-METAL OXIDE(S)	15ohm,5%,2W,AA,TP,4x12mm	SA
5	2001-000016	R444	R-CARBON(S)	10HM,5%,1/2W,AA,TP,2.4X6.4MM	SA
5	2003-000471	R445	R-METAL OXIDE(S)	10ohm,5%,2W,AA,TP,4x12mm	SA
5	2001-000290	R451	R-CARBON	10KOHM,5%,1/8W,AA,TP,1.8X3.2MM	SA
5	2001-000449	R452	R-CARBON	2.2KOHM,5%,1/8W,AA,TP,1.8X3.2MM	SA
5	2001-000786	R453	R-CARBON	47KOHM,5%,1/8W,AA,TP,1.8X3.2MM	SA
5	2001-000290	R454	R-CARBON	10KOHM,5%,1/8W,AA,TP,1.8X3.2MM	SA
5	2001-000449	R455	R-CARBON	2.2KOHM,5%,1/8W,AA,TP,1.8X3.2MM	SA
5	2001-000786	R456	R-CARBON	47KOHM,5%,1/8W,AA,TP,1.8X3.2MM	SA
5	2001-000290	R457	R-CARBON	10KOHM,5%,1/8W,AA,TP,1.8X3.2MM	SA
5	2001-000449	R458	R-CARBON	2.2KOHM,5%,1/8W,AA,TP,1.8X3.2MM	SA
5	2001-000786	R459	R-CARBON	47KOHM,5%,1/8W,AA,TP,1.8X3.2MM	SA
5	2001-000290	R460	R-CARBON	10KOHM,5%,1/8W,AA,TP,1.8X3.2MM	SA
5	2001-000449	R461	R-CARBON	2.2KOHM,5%,1/8W,AA,TP,1.8X3.2MM	SA
5	2001-000786	R462	R-CARBON	47KOHM,5%,1/8W,AA,TP,1.8X3.2MM	SA
5	2001-001099	R501	R-CARBON(S)	2.7KOHM,5%,1/2W,AA,TP,2.4X6.4MM	SA
5	2003-000145	R502	R-METAL OXIDE	100ohm,5%,1W,AA,TP,4.3x12mm	SA
5	2001-000333	R503	R-CARBON	12OHM,5%,1/4W,AA,TP,2.4X6.4MM	SA
5	2001-000522	R504	R-CARBON	22KOHM,5%,1/8W,AA,TP,1.8X3.2MM	SA
5	2003-000703	R505	R-METAL OXIDE(S)	470ohm,5%,3W,AA,TP,6x16mm	SA
5	2003-000407	R506	R-METAL OXIDE(S)	0.6ohm,5%,2W,AA,TP,4x12mm	△ SA
5	2001-000107	R507	R-CARBON(S)	150KOHM,5%,1/2W,AA,TP,2.4X6.4MM	SA
5	2001-000429	R508	R-CARBON	1KOHM,5%,1/8W,AA,TP,1.8X3.2MM	△ SA
5	2001-000786	R511	R-CARBON	47KOHM,5%,1/8W,AA,TP,1.8X3.2MM	SA
5	2001-001088	R513	R-CARBON(S)	1KOHM,5%,1/2W,AA,TP,2.4X6.4MM	SA
5	2002-001099	R514	R-COMPOSITION	68KOHM,5%,1/2W,AA,TP,3.0X9.0MM	SNA
5	2001-001164	R515	R-CARBON(S)	56KOHM,5%,1/2W,AA,TP,2.4X6.4MM	SA
5	2001-000084	R521	R-CARBON	100Kohm,5%,1/4W,AA,TP,2.4x6.4mm	SA
5	2004-000327	R522	R-METAL	150Kohm,1%,1/4W,AA,TP,2.4x6.4m	SA
5	2001-000660	R523	R-CARBON	33KOHM,5%,1/8W,AA,TP,1.8X3.2MM	SA
5	2001-000429	R524	R-CARBON	1KOHM,5%,1/8W,AA,TP,1.8X3.2MM	SA
5	2001-000531	R525	R-CARBON	240KOHM,5%,1/8W,AA,TP,1.8X3.2MM	SA
5	2001-001000	R531	R-CARBON	82KOHM,5%,1/8W,AA,TP,1.8X3.2MM	SA
5	2001-000290	R532	R-CARBON	10KOHM,5%,1/8W,AA,TP,1.8X3.2MM	SA
5	2001-000478	R533	R-CARBON	2.7OHM,5%,1/4W,AA,TP,2.4X6.4MM	SA
5	2001-000890	R534	R-CARBON	6.8KOHM,5%,1/8W,AA,TP,1.8X3.2MM	SA
5	2001-000995	R535	R-CARBON	820OHM,5%,1/8W,AA,TP,1.8X3.2MM	SA
5	2004-000825	R536	R-METAL	36Kohm,1%,1/4W,AB,TP,2.4x6.4mm	△ SA
5	2004-000218	R537	R-METAL	10Kohm,1%,1/8W,AA,TP,1.8x3.2mm	△ SA
5	2004-000284	R538	R-METAL	12Kohm,1%,1/4W,AA,TP,2.4x6.4mm	△ SA
5	2001-000008	R539	R-CARBON	15KOHM,5%,1/8W,AA,TP,1.8X3.2MM	△ SA
5	2004-000458	R540	R-METAL	2.2Kohm,1%,1/4W,AA,TP,2.4x6.4m	△ SA
5	2001-000645	R541	R-CARBON	330KOHM,5%,1/8W,AA,TP,1.8X3.2MM	SA
5	2001-000273	R542	R-CARBON	100KOHM,5%,1/8W,AA,TP,1.8X3.2MM	SA
5	2001-000281	R551	R-CARBON	100OHM,5%,1/8W,AA,TP,1.8X3.2MM	SA
5	2001-000530	R553	R-CARBON	240KOHM,5%,1/4W,AA,TP,2.4X6.4MM	SA
5	2001-000537	R554	R-CARBON	24KOHM,5%,1/4W,AA,TP,2.4X6.4MM	SA
5	2001-000042	R555	R-CARBON	1KOHM,5%,1/4W,AA,TP,2.4X6.4MM	SA
5	2001-001113	R556	R-CARBON(S)	270KOHM,5%,1/2W,AA,TP,2.4X6.4MM	SA
5	2001-000316	R557	R-CARBON	120KOHM,5%,1/2W,AA,TP,3.3X9MM	SA
5	2001-000316	R558	R-CARBON	120KOHM,5%,1/2W,AA,TP,3.3X9MM	SA
5	2003-000650	R561	R-METAL OXIDE(S)	330ohm,5%,2W,AA,TP,4x12mm	SA
5	2001-001129	R601	R-CARBON(S)	330KOHM,5%,1/2W,AA,TP,2.4X6.4MM	SA
5	2001-001129	R602	R-CARBON(S)	330KOHM,5%,1/2W,AA,TP,2.4X6.4MM	SA

7 Electrical Parts List

Level	Loc. No.	Code No.	Description	Specification	Remarks
5	2003-000738	R603	R-METAL OXIDE(S)	56Kohm,5%,2W,AA,TP,4x12mm	SA
5	2003-000014	R604	R-METAL OXIDE(S)	10Kohm,5%,3W,AA,TP,6x16mm	SA
5	2002-001103	R605	R-COMPOSITION	300Kohm,5%,1/2W,AA,TP,3.7x10.0mm	SA
5	2002-001103	R606	R-COMPOSITION	300Kohm,5%,1/2W,AA,TP,3.7x10.0mm	SA
5	2001-001116	R607	R-CARBON(S)	270HM,5%,1/2W,AA,TP,2.4X6.4MM	SA
5	2001-000734	R608	R-CARBON	4.7KOHM,5%,1/8W,AA,TP,1.8X3.2MM	SA
5	2001-000780	R609	R-CARBON	470OHM,5%,1/8W,AA,TP,1.8X3.2MM	SA
5	2001-000281	R610	R-CARBON	100OHM,5%,1/8W,AA,TP,1.8X3.2MM	SA
5	BH39-40305U	R611	CBF HARNESS	52MM,AWG22(0.6PI),-,-,AWG22(0.	SA
5	2001-000023	R621	R-CARBON	470HM,5%,1/4W,AA,TP,2.4X6.4MM	SA
5	2001-000027	R622	R-CARBON	1000HM,5%,1/4W,AA,TP,2.4X6.4MM	SA
5	2001-000613	R623	R-CARBON	3.9KOHM,5%,1/8W,AA,TP,1.8X3.2MM	SA
5	2001-000429	R624	R-CARBON	1KOHM,5%,1/8W,AA,TP,1.8X3.2MM	SA
5	BH39-40305U	R625	CBF HARNESS	52MM,AWG22(0.6PI),-,-,AWG22(0.	SA
5	2001-000290	R626	R-CARBON	10KOHM,5%,1/8W,AA,TP,1.8X3.2MM	SA
5	2001-001088	R628	R-CARBON(S)	1KOHM,5%,1/2W,AA,TP,2.4X6.4MM	SA
5	2001-000786	R629	R-CARBON	47KOHM,5%,1/8W,AA,TP,1.8X3.2MM	SA
5	2001-000062	R630	R-CARBON	4700HM,5%,1/4W,AA,TP,2.4X6.4MM	SA
5	2003-000471	R631	R-METAL OXIDE(S)	10ohm,5%,2W,AA,TP,4x12mm	SA
5	4715-001055	SK561	SURGE ABSORBER	1kV,+50-10%,-,-,RADIAL	SNA
5	6042-000002	TP501	EYELET	ID1.5,OD2,L2.8,NI+SN,BSP3-1/2H	SNA
5	2801-000006	X201	CRYSTAL-UNIT	12MHz,50ppm,28-AAM,S,35ohm,BK	SA
5	0403-000348	ZD201	DIODE-ZENER	UZ36B,33-39V,500MW,DO-35,TP	SA
5	0403-001068	ZD202	DIODE-ZENER	UZ4.7BSA,4.44-4.68V,500MW,DO-34,TP	SA
5	0403-000361	ZD211	DIODE-ZENER	UZ6.2BSB,5.96-6.27V,500MW,DO-34,TP	SA
5	0403-000361	ZD212	DIODE-ZENER	UZ6.2BSB,5.96-6.27V,500MW,DO-34,TP	SA
5	0403-000361	ZD213	DIODE-ZENER	UZ6.2BSB,5.96-6.27V,500MW,DO-34,TP	SA
5	0403-000361	ZD214	DIODE-ZENER	UZ6.2BSB,5.96-6.27V,500MW,DO-34,TP	SA
5	0403-000361	ZD221	DIODE-ZENER	UZ6.2BSB,5.96-6.27V,500MW,DO-34,TP	SA
5	0403-000361	ZD222	DIODE-ZENER	UZ6.2BSB,5.96-6.27V,500MW,DO-34,TP	SA
5	0403-000361	ZD223	DIODE-ZENER	UZ6.2BSB,5.96-6.27V,500MW,DO-34,TP	SA
5	0403-000361	ZD224	DIODE-ZENER	UZ6.2BSB,5.96-6.27V,500MW,DO-34,TP	SA
5	0403-000361	ZD225	DIODE-ZENER	UZ6.2BSB,5.96-6.27V,500MW,DO-34,TP	SA
5	0403-000361	ZD226	DIODE-ZENER	UZ6.2BSB,5.96-6.27V,500MW,DO-34,TP	SA
5	0403-000361	ZD241	DIODE-ZENER	UZ6.2BSB,5.96-6.27V,500MW,DO-34,TP	SA
5	0403-000361	ZD242	DIODE-ZENER	UZ6.2BSB,5.96-6.27V,500MW,DO-34,TP	SA
5	0403-000355	ZD514	DIODE-ZENER	UZ5.1BSB,5-5.2V,500MW,DO-35,TP	SA
5	0403-001221	ZD601	DIODE-ZENER	UZ39BSB,35.36-37.19V,500MW,DO-34,TP	SA
5	0403-000361	ZD602	DIODE-ZENER	UZ6.2BSB,5.96-6.27V,500MW,DO-34,TP	SA
4	BH99-00006A	HS451	ASSY HEAT/SINK	H/S,SCREW+NUT,IRF630,-,-,OIL SILICON,-,-	SNA
4	BH99-00006A	HS452	ASSY HEAT/SINK	H/S,SCREW+NUT,IRF630,-,-,OIL SILICON,-,-	SNA
5	0205-001027	CIS	OIL-SILICON	G746,-,-	SNA
5	0505-001309	CIS	FET-SILICON	IRF630,N,200V,10A,0.40HM,100W,TO-220	SA
5	6006-001008	CIS	SCREW-ASS'Y MACH	WSP,BH,+ ,M3,L10,ZPC(YEL),SWRCH	SNA
5	6021-000118	CIS	NUT-HEXAGON	1C,M3,ZPC(YEL),SM20C	SNA
5	BH62-30024A	CIS	HEAT SINK-TR	SPC,T1,SN,CFX1577L	SNA
4	BN61-01137A	CIS16	SUPPORT-CLIP	IBM E74,NYLON 66,1.0,NTR	SNA
4	BP96-00064C	HS601	ASSY HEAT SINK P	BH62-00004A,SPRING,8S0765RC,RUBBER SILICON	SNA
5	BH13-00045A	CIS	IC HYBRID	FS8S0765RCYDTU,CU17KS,5,-25 to 85,TO-220(FORMING),35,ST	SA
5	BH61-00004A	CIS	SPRING ETC-TR	CDA,CDB,SUS304,-,-,-,-,TO.5,-,-,-	SNA
5	BH62-00004A	CIS	HEAT SINK-POWER	- ,T1,- ,A1050S,DA/DB	SNA
5	BH62-20001B	CIS	TUBE-RUBBER	CSQ4357,W25*L20*TO.45,-,-,-,-	SNA
4	BP96-00065B	HS301	ASSY HEAT SINK P	BH62-00003B,SPRING,STV9325,OIL SILICON	SNA
5	0205-001027	H/S	OIL-SILICON	G746,-,-	SNA
5	1204-002262	H/S	IC-VERTICAL DEF.	STV9325,HEPTAWATT,7P,15.45x10.22mm,PLASTIC,35V,-,-40to+150C,ST,(IC-VERTICAL DEF.	SNA
5	6003-000334	H/S	SCREW-TAPTITE	RH,+ ,2S,M3,L6,ZPC(YEL),SWRCH18	SNA

Level	Loc. No.	Code No.	Description	Specification	Remarks
5	BH62-00003B	H/S	HEAT SINK-VERT	A1050S,T1.0,T1.0,-,DA,DB	SNA
4	BP96-00066K	HS490	ASSY HEAT SINK P	HS FBT,SPRING,2SC5931,DTV1500HFP,KTD2058,OIL SILICON,	SNA
5	0205-001027	CIS	OIL-SILICON	G746,-,-	SNA
5	0402-001507	CIS	DIODE-RECTIFIER	DTV1500HFP,1500.6A,SMB,ST	SA
5	0502-000465	CIS	TR-POWER	KTD2058,NPN,25000mW,TO-220IS,ST,100-200	SA
5	0502-001243	CIS	TR-POWER	2SC5931,NPN,60000mW,TOP-3,ST,8-11	SA
5	BH61-00004A	CIS	SPRING ETC-TR	CDA,CDB,SUS304,-,-,-,-,TO.5,-,-,-	SNA
5	BH61-70003A	CIS	SPRING ETC	CVT4857,STS304-W1/2H,W3.8,-,L30,L30,-,TO.5,DEGRE,W3.8,STS304-W1/2H	SNA
5	BH62-00015A	CIS	HEAT SINK-FBT	A1050S,T1.0,T1.0,-,-	SNA
4	BP96-00072C	HS590	ASSY HEAT SINK P	H/S TR,SPRING,IRF634B,OIL SILICON	SNA
5	0205-001027	CIS	OIL-SILICON	G746,-,-	SNA
5	0505-001707	CIS	FET-SILICON	IRF634B,N,250V,8.1A,0.45 OHM,74W,TO-220	SNA
5	BH61-00004A	CIS	SPRING ETC-TR	CDA,CDB,SUS304,-,-,-,-,TO.5,-,-,-	SNA
5	BH62-00016A	CIS	HEAT SINK-TR	A1050S,T1.0,-,DP17MO	SNA
2	BH91-00970W	-	ASSY CDT-CC	LEO	SNA
3	0201-001576	CDT	ADHESIVE-RBR	DC-3140_RTV#0414,TRP,-,-	SNA
3	0203-000005	CDT	TAPE-ACETATE	SGT730,TO.26,W19,L3000,BLK	SNA
3	3302-000006	CDT	MAGNET-RUBBER	AF,14G,1620-1980G,0.58-0.9MGOe	SA
3	3309-000002	CDT	MAGNET-SHEET	5x20x80mm,UL94V-0,2	SA
3	BH03-00060B	CDT	CDT-CC	M41AJR53X46(LL),70,17,0.25,29.1,IFT,H/C,NH,TCO,TILT,4	SA
3	BH68-30003C	CDT	LABEL-00,HIGH,VOLTAGE	SS,ART 100G,30*33,YEL	SNA
3	BH96-00292A	CDT	ASSY D-COIL P	17 inch,BH27-00148A,BH96-00289A	SNA

7-4-2 LE17JS(LE17JT) Video PCB Parts

Level	Loc. No.	Code No.	Description	Specification	Remarks
3	BH94-00980A	-	ASSY PCB VIDEO-ST	LE17JS	SNA
4	BH63-00131A	CIS1	SHIELD-VIDEO	LE17KS,SPTE,TO.2	SNA
4	6502-000001	CIS10	CABLE CLAMP	DAWH-5NB,D15,L35,NYLON66,NTR	SNA
4	0202-000008	CIS2	SOLDER-WIRE	HI-FLO,3.0,-,D3.0,63SN/37PB,-	SNA
4	0204-001527	CIS3	FLUX	DF-201TVS,MIX,0.820,FLUX 13%, 14KG	SNA
4	0204-000442	CIS4	SOLVENT	1M-1000,C3H7OH,96,-	SNA
4	BH68-00001A	CIS40	LABEL-MARK CDT	ART-PAPER 100G,-,WHT,BLK,-,ALL,CDT	SNA
4	0202-000187	CIS5	SOLDER-WIRE FLUX	-,-,D1.2,63SN/37PB RA,-	SNA
4	BH61-70003A	CIS5	SPRING ETC	CVT4857,STS304-W1/2H,W3.8,-,L30,L30,-,TO.5,DEGRE,W3.8,STS304-W1/2H	SNA
4	3711-004236	CN101	CONNECTOR-HEADER	BOX,6P,1R,2MM,STRAIGHT,SN	SNA
4	BH39-00015A	CN102	CBF-HARNESS	13P/14P,200MM,WHT/BLK/RED/BLU,UL1007,AWG26,SMH200-13/YBNH200-14	SA
4	BH13-00050A	IC102	IC HYBRID	NT6813K-30031,NT6813K-30031,24P,-55 to +150,240mA,-0.5 to 6V,ST	SA
4	3704-001170	SK101	SOCKET-CRT	10P,22.5PI,25.6PI,NI+SN,-	SA
4	BH96-00283A	HS106	ASSY HEAT SINK P	BH62-00054A,SCREW,STV9588,OIL SILICON,BRKT-VIDEO	SNA
5	0205-001027	H/S	OIL-SILICON	G746,-,-	SNA
5	1201-002113	H/S	IC-VIDEO AMP	SAM9588,CLIPWATT,19P,19.85x10.7mm,-,-26,PLASTIC,110V,3W,0to+70C,-,-,-,-,ST	SA
5	6003-000333	H/S	SCREW-TAPTITE	RH,+2S,M3,L10,ZPC(YEL),SWRCH1	SNA
5	BH61-00048A	H/S	BRACKET-VIDEO	andromeda,SECC,0.8	SNA
5	BH62-00054A	H/S	HEAT SINK-PS	LEO,A1050S,2.0,112,25	SNA
4	BH97-00512A	-	ASSY AUTO-(VIDEO)ST	LE17JS	SNA
5	3301-001450	BD102	BEAD-AXIAL	45ohm,3.5x0.6x5.7mm,50mA,TP,,,	SNA
5	3301-001450	BD103	BEAD-AXIAL	45ohm,3.5x0.6x5.7mm,50mA,TP,,,	SNA
5	3301-001450	BD104	BEAD-AXIAL	45ohm,3.5x0.6x5.7mm,50mA,TP,,,	SNA

Level	Loc. No.	Code No.	Description	Specification	Remarks
5	3301-001450	BD105	BEAD-AXIAL	45ohm,3.5x0.6x5.7mm,50mA,TP,...	SNA
5	3301-001450	BD106	BEAD-AXIAL	45ohm,3.5x0.6x5.7mm,50mA,TP,...	SNA
5	3301-001450	BD107	BEAD-AXIAL	45ohm,3.5x0.6x5.7mm,50mA,TP,...	SNA
5	2301-000014	C101	C-FILM,LEAD-PEF	6.8nF,5%,100V,TP,5.8x12.5mm,5m	SA
5	2401-000025	C103	C-AL	100uF,20%,16V,GP,TP,6.3x11,5	SA
5	2401-000603	C104	C-AL	1uF,20%,50V,GP,TP,5X11,2	SA
5	2201-000376	C105	C-CERAMIC,DISC	0.22NF,5%,50V,SL,TP,6.3X3.5MM,5	SA
5	2201-000019	C106	C-CERAMIC,DISC	10nF,+80-20%,500V,Y5V,TP,13.5x4mm,5	SA
5	2401-002463	C111	C-AL	470uF,20%,16V,GP,TP,8x11.5,5	SA
5	2201-000119	C112	C-CERAMIC,DISC	100NF,+80-20%,50V,Y5V,TP,8X3MM,5	SA
5	2401-003036	C113	C-AL	100uF,20%,16V,GP,TP,5X11mm,5mm	SA
5	2201-000119	C114	C-CERAMIC,DISC	100NF,+80-20%,50V,Y5V,TP,8X3MM,5	SA
5	2401-003036	C115	C-AL	100uF,20%,16V,GP,TP,5X11mm,5mm	SA
5	2202-002009	C116	C-CERAMIC,MLC-AXIAL	100NF,+80-20%,50V,Y5V,TP,2.3X3.0MM,-	SA
5	2202-002008	C117	C-CERAMIC,MLC-AXIAL	10nF,+80-20%,50V,Y5V,TP,2.3X3.	SA
5	2202-002009	C118	C-CERAMIC,MLC-AXIAL	100NF,+80-20%,50V,Y5V,TP,2.3X3.0MM,-	SA
5	2401-003036	C119	C-AL	100uF,20%,16V,GP,TP,5X11mm,5mm	SA
5	2202-002009	C120	C-CERAMIC,MLC-AXIAL	100NF,+80-20%,50V,Y5V,TP,2.3X3.0MM,-	SA
5	2202-002009	C121	C-CERAMIC,MLC-AXIAL	100NF,+80-20%,50V,Y5V,TP,2.3X3.0MM,-	SA
5	2401-003036	C122	C-AL	100uF,20%,16V,GP,TP,5X11mm,5mm	SA
5	2301-000010	C123	C-FILM,LEAD-PEF	100nF,5%,100V,TP,11.5x12.5mm,5	SA
5	2401-001218	C124	C-AL	4.7uF,20%,100V,WT,TP,5x11,5	SA
5	2202-002009	C125	C-CERAMIC,MLC-AXIAL	100NF,+80-20%,50V,Y5V,TP,2.3X3.0MM,-	SA
5	2201-000019	C131	C-CERAMIC,DISC	10nF,+80-20%,500V,Y5V,TP,13.5x4mm,5	SA
5	2201-002147	C132	C-CERAMIC,DISC	2.7NF,10%,500V,Y5P,TP,10X4MM,5	SA
5	2201-000288	C133	C-CERAMIC,DISC	1NF,10%,2KV,Y5P,TP,9X5MM,7.5	SA
5	2202-002009	CB01	C-CERAMIC,MLC-AXIAL	100NF,+80-20%,50V,Y5V,TP,2.3X3.0MM,-	SA
5	2301-000010	CB03	C-FILM,LEAD-PEF	100nF,5%,100V,TP,11.5x12.5mm,5	SA
5	2401-003911	CB04	C-AL	1uF,20%,160V,BP,TP,6.3x11mm,5	SA
5	2202-002009	CG01	C-CERAMIC,MLC-AXIAL	100NF,+80-20%,50V,Y5V,TP,2.3X3.0MM,-	SA
5	2301-000010	CG03	C-FILM,LEAD-PEF	100nF,5%,100V,TP,11.5x12.5mm,5	SA
5	2401-003911	CG04	C-AL	1uF,20%,160V,BP,TP,6.3x11mm,5	SA
5	0203-001199	CIS6	TAPE-KRAFT	#53110,T0.1,W6,L2000M,BRN	SNA
5	0203-001200	CIS7	TAPE-PAPER	#53128,T0.15,W5.5,L2000M,BEIGE	SNA
5	BH71-40300A	CN_G2	PIN-HINGE	BRASS,D2.36!,HEAT/SINK,SN	SNA
5	BH71-40300A	CN_GND	PIN-HINGE	BRASS,D2.36!,HEAT/SINK,SN	SNA
5	2202-002009	CR01	C-CERAMIC,MLC-AXIAL	100NF,+80-20%,50V,Y5V,TP,2.3X3.0MM,-	SA
5	2301-000010	CR03	C-FILM,LEAD-PEF	100nF,5%,100V,TP,11.5x12.5mm,5	SA
5	2401-003911	CR04	C-AL	1uF,20%,160V,BP,TP,6.3x11mm,5	SA
5	0401-000005	DB01	DIODE-SWITCHING	1N4148,75V,150MA,DO-35,TP	SA
5	0401-000005	DB02	DIODE-SWITCHING	1N4148,75V,150MA,DO-35,TP	SA
5	0401-000004	DB03	DIODE-SWITCHING	1SS244,220V,200MA,DO-34,TP	SA
5	0401-000004	DB04	DIODE-SWITCHING	1SS244,220V,200MA,DO-34,TP	SA
5	0401-000004	DB05	DIODE-SWITCHING	1SS244,220V,200MA,DO-34,TP	SA
5	0401-000005	DG01	DIODE-SWITCHING	1N4148,75V,150MA,DO-35,TP	SA
5	0401-000005	DG02	DIODE-SWITCHING	1N4148,75V,150MA,DO-35,TP	SA
5	0401-000004	DG03	DIODE-SWITCHING	1SS244,220V,200MA,DO-34,TP	SA
5	0401-000004	DG04	DIODE-SWITCHING	1SS244,220V,200MA,DO-34,TP	SA
5	0401-000004	DG05	DIODE-SWITCHING	1SS244,220V,200MA,DO-34,TP	SA
5	0401-000005	DR01	DIODE-SWITCHING	1N4148,75V,150MA,DO-35,TP	SA
5	0401-000005	DR02	DIODE-SWITCHING	1N4148,75V,150MA,DO-35,TP	SA
5	0401-000004	DR03	DIODE-SWITCHING	1SS244,220V,200MA,DO-34,TP	SA
5	0401-000004	DR04	DIODE-SWITCHING	1SS244,220V,200MA,DO-34,TP	SA
5	0401-000004	DR05	DIODE-SWITCHING	1SS244,220V,200MA,DO-34,TP	SA
5	6042-000001	EY1	EYELET	ID2.2,OD2.7,L3.1,NI+SN,BSP3-1/2H	SNA
5	6042-000001	EY2	EYELET	ID2.2,OD2.7,L3.1,NI+SN,BSP3-1/2H	SNA
5	6042-000002	EY3	EYELET	ID1.5,OD2,L2.8,NI+SN,BSP3-1/2H	SNA
5	6042-000002	EY4	EYELET	ID1.5,OD2,L2.8,NI+SN,BSP3-1/2H	SNA
5	6042-000002	EY5	EYELET	ID1.5,OD2,L2.8,NI+SN,BSP3-1/2H	SNA
5	BH39-40305U	JP101	CBF HARNESS	52MM,AWG22(0.6PI),--,AWG22(O.	SA

Level	Loc. No.	Code No.	Description	Specification	Remarks
5	BH39-40305U	JP102	CBF HARNESS	52MM,AWG22(0.6PI),-,-,AWG22(0.	SA
5	BH39-40305U	JP103	CBF HARNESS	52MM,AWG22(0.6PI),-,-,AWG22(0.	SA
5	BH39-40305U	JP104	CBF HARNESS	52MM,AWG22(0.6PI),-,-,AWG22(0.	SA
5	2701-000172	LB01	INDUCTOR-AXIAL	0.33uH,10%,3070	SA
5	2701-000172	LB02	INDUCTOR-AXIAL	0.33uH,10%,3070	SA
5	2701-000172	LG01	INDUCTOR-AXIAL	0.33uH,10%,3070	SA
5	2701-000172	LG02	INDUCTOR-AXIAL	0.33uH,10%,3070	SA
5	2701-000172	LR01	INDUCTOR-AXIAL	0.33uH,10%,3070	SA
5	2701-000172	LR02	INDUCTOR-AXIAL	0.33uH,10%,3070	SA
5	BH41-00269A	MP1.0	PCB-VIDEO	LE17JS,FR-1,1,1.0,1.6T,81.7*123.5,LE17,6,VIDEO	SNA
5	2001-000076	R101	R-CARBON	47KOHM,5%,1/4W,AA,TP,2.4X6.4MM	SA
5	2001-000857	R102	R-CARBON	560OHM,5%,1/8W,AA,TP,1.8X3.2MM	SA
5	2001-000429	R103	R-CARBON	1KOHM,5%,1/8W,AA,TP,1.8X3.2MM	SA
5	2001-000702	R104	R-CARBON	39KOHM,5%,1/8W,AA,TP,1.8X3.2MM	SA
5	2001-000331	R105	R-CARBON	12KOHM,5%,1/8W,AA,TP,1.8X3.2MM	SA
5	2001-000429	R106	R-CARBON	1KOHM,5%,1/8W,AA,TP,1.8X3.2MM	SA
5	2001-000016	R107	R-CARBON(S)	10HM,5%,1/2W,AA,TP,2.4X6.4MM	SA
5	2001-000435	R111	R-CARBON	1MOHM,5%,1/8W,AA,TP,1.8X3.2MM	SA
5	2001-000812	R112	R-CARBON	5.6KOHM,5%,1/8W,AA,TP,1.8X3.2MM	SA
5	2001-000429	R113	R-CARBON	1KOHM,5%,1/8W,AA,TP,1.8X3.2MM	SA
5	2001-000429	R114	R-CARBON	1KOHM,5%,1/8W,AA,TP,1.8X3.2MM	SA
5	2001-000290	R121	R-CARBON	10KOHM,5%,1/8W,AA,TP,1.8X3.2MM	SA
5	2003-000419	R122	R-METAL OXIDE(S)	1.2ohm,5%,1W,AA,TP,3.3x9mm	SA
5	2001-001138	R131	R-CARBON(S)	390OHM,5%,1/2W,AA,TP,2.4X6.4MM	SA
5	2001-000037	R132	R-CARBON(S)	330OHM,5%,1/2W,AA,TP,2.4X6.4MM	SA
5	2001-000969	RB01	R-CARBON	75OHM,5%,1/8W,AA,TP,1.8X3.2MM	SA
5	2001-000969	RB02	R-CARBON	75OHM,5%,1/8W,AA,TP,1.8X3.2MM	SA
5	2001-000241	RB03	R-CARBON	1.5KOHM,5%,1/8W,AA,TP,1.8X3.2MM	SA
5	2001-001026	RB04	R-CARBON	910OHM,5%,1/8W,AA,TP,1.8X3.2MM	SA
5	2001-000117	RB06	R-CARBON(S)	68OHM,5%,1/2W,AA,TP,2.4X6.4MM	SA
5	2001-001161	RB07	R-CARBON(S)	560KOHM,5%,1/2W,AA,TP,2.4X6.4MM	SA
5	2001-000117	RB08	R-CARBON(S)	68OHM,5%,1/2W,AA,TP,2.4X6.4MM	SA
5	2001-000734	RB09	R-CARBON	4.7KOHM,5%,1/8W,AA,TP,1.8X3.2MM	SA
5	2001-000969	RG01	R-CARBON	75OHM,5%,1/8W,AA,TP,1.8X3.2MM	SA
5	2001-000969	RG02	R-CARBON	75OHM,5%,1/8W,AA,TP,1.8X3.2MM	SA
5	2001-000241	RG03	R-CARBON	1.5KOHM,5%,1/8W,AA,TP,1.8X3.2MM	SA
5	2001-001026	RG04	R-CARBON	910OHM,5%,1/8W,AA,TP,1.8X3.2MM	SA
5	2001-000117	RG06	R-CARBON(S)	68OHM,5%,1/2W,AA,TP,2.4X6.4MM	SA
5	2001-001161	RG07	R-CARBON(S)	560KOHM,5%,1/2W,AA,TP,2.4X6.4MM	SA
5	2001-000117	RG08	R-CARBON(S)	68OHM,5%,1/2W,AA,TP,2.4X6.4MM	SA
5	2001-000734	RG09	R-CARBON	4.7KOHM,5%,1/8W,AA,TP,1.8X3.2MM	SA
5	2001-000969	RR01	R-CARBON	75OHM,5%,1/8W,AA,TP,1.8X3.2MM	SA
5	2001-000969	RR02	R-CARBON	75OHM,5%,1/8W,AA,TP,1.8X3.2MM	SA
5	2001-000241	RR03	R-CARBON	1.5KOHM,5%,1/8W,AA,TP,1.8X3.2MM	SA
5	2001-001026	RR04	R-CARBON	910OHM,5%,1/8W,AA,TP,1.8X3.2MM	SA
5	2001-000117	RR06	R-CARBON(S)	68OHM,5%,1/2W,AA,TP,2.4X6.4MM	SA
5	2001-001161	RR07	R-CARBON(S)	560KOHM,5%,1/2W,AA,TP,2.4X6.4MM	SA
5	2001-000117	RR08	R-CARBON(S)	68OHM,5%,1/2W,AA,TP,2.4X6.4MM	SA
5	2001-000734	RR09	R-CARBON	4.7KOHM,5%,1/8W,AA,TP,1.8X3.2MM	SA
5	1405-001064	SK104	SURGE ABSORBER	400V,20%,-,-,AXIAL	SA
5	4715-001065	SK105	SURGE ABSORBER	200V,20%,-,-,RADIAL	SNA
5	4715-001055	SK108	SURGE ABSORBER	1kV,+50-10%,-,-,RADIAL	SNA
5	4715-001065	SKB01	SURGE ABSORBER	200V,20%,-,-,RADIAL	SNA
5	4715-000102	SKG01	SURGE ABSORBER	200V,20%,1000A,-,RADIAL	SNA
5	4715-000102	SKR01	SURGE ABSORBER	200V,20%,1000A,-,RADIAL	SNA
5	0403-000361	ZD102	DIODE-ZENER	UZ6.2BSB,5.96-6.27V,500MW,DO-34,TP	SA
5	0403-000361	ZD103	DIODE-ZENER	UZ6.2BSB,5.96-6.27V,500MW,DO-34,TP	SA
5	0403-000361	ZD104	DIODE-ZENER	UZ6.2BSB,5.96-6.27V,500MW,DO-34,TP	SA
5	0403-000509	ZD105	DIODE-ZENER	MTZJ5.6B,5.4-5.7V,500MW,DO-34,TP	SA
5	0403-000361	ZD106	DIODE-ZENER	UZ6.2BSB,5.96-6.27V,500MW,DO-34,TP	SA

7-4-3 LE17JS(LE17JT) Others

Level	Loc. No.	Code No.	Description	Specification	Remarks
2	BH90-00592A	-	ASSY COVER REAR	LE17JS,EDC	SNA
3	BH63-00130A	C/R	COVER-REAR	LE17KS,ABS HB,IV16	SNA
2	BH90-00598A	-	ASSY STAND	LE17JS/LE15VS,EDC	SNA
3	BH96-00272A	STD	ASSY STAND P	LE17KS,ABS HB IV16	SNA
4	6902-000109	STD	BAG PE	HDPE,TO.015,L430,W350,TRP,28,2,PE MARK	SNA
4	BH60-00030A	STD	FASTENER-BAND	PN17LT,ST+PVC,PO.4,-,150,YELLOW,-,-,-	SNA
4	BH61-00049A	STD	STAND-BASE	LE17KS,ABS HB,IV16	SNA
4	BH61-00050A	STD	STAND-TOP	LE17KS,ABS HB,IV16	SNA
4	BH61-40002A	STD	FOOT-RUBBER	-,NR,PMS428U,GA4237,-,-,-	SNA
4	BH63-30103A	STD	FELT-STAND	MCM1755,FELT,T1.0,W10,L4	SNA
4	BH68-20366A	STD	LABEL-MARK STAND	,ART PAPER 100(S),WHT	SNA
4	BH68-70306A	STD	CARD-STAND	CVM4967PWS(SKD),WONSTROW,CHAIN	SNA
2	BH90-00686D	-	ASSY COVER FRONT	LEO	SNA
3	6003-000009	C/F+C/R	SCREW-TAPTITE	BH,+ ,B,M4,L16,ZPC(YEL),SWRCH18	SNA
3	6006-001119	C/F+CDT	SCREW-ASS'Y TAPT	WC,BH,+ ,M5,L25,ZPC(YEL),SWRCH18A	SNA
3	BH96-00274F	C/F	ASSY COVER P-FRONT	LE17JS (S/M 795DF),ABS HB IV16,TC003	SNA
2	BH91-00870A	-	ASSY SHIELD	LE17JS	SNA
3	0201-001059	CIS	ADHESIVE-SIL	#9590,WHT,-,CARTRIGE	SNA
3	6003-001023	SH/COV+SH/BTM	SCREW-TAPTITE	RWH,+ ,B,M3,L10,ZPC(YEL),SWRCH1	SNA
3	BH96-00281A	CIS	ASSY MISC P-SHIELD COVER	LE17KS,SECC TO.5,AL TO.25	SNA
4	BH63-00132A	CIS	SHIELD-COVER TOP	LE17KS,AL,TO.25	SNA
4	BH63-00133A	CIS	SHIELD-COVER REAR	LE17KS,SECC,TO.5	SNA
4	BH63-00145A	CIS	SHEET-ANODE	LE17KS,PP V2,T1.0,WHITE	SNA
2	BH91-00969U	-	ASSY CHASSIS-LC	LEO	SNA
2	BH92-01069A	-	ASSY P/MATERIAL	LE17JS	SNA
3	0203-001100	P/M	TAPE-OPP MASKING	OPP/W75/CLR,TO.05,W75,L800000,CLR	SNA
3	0203-001159	P/M	TAPE-FILAMENT	#8915,TO.15,W12,L55000,CLR	SNA
3	6902-000001	P/M	BAG AIR	LDPE,TO.2,L1800,W1000,TRP,,,LDPE ONLY	SNA
3	6902-000379	P/M	BAG AIR	HDPE,TO.2,L1800,W1000,TRP,,,PAPER	SNA
3	6902-000523	P/M	BAG PE	HDPE,TO.015,W900,L800,TRP,28 LANGUAGE,2-	SNA
3	6902-000576	P/M	BAG ROLL	LDPE,TO.05,W2400,L1000,TRP,-,-	SNA
3	BH69-00561A	P/M	CUSHION	LE17KS,EPS M50,DF	SNA
3	BH69-40380A	P/M	PACKING-PAD	DW-2,500X2200X200,-,CGK5527	SNA
2	BH92-01093A	-	ASSY LABEL	LEO-PJT(15/17/19)	SNA
3	BH68-00565D	LABEL	LABEL RATING-00	ALL,SS,PE,TO.05,90*65,BLK,POLYESTER,EDC	SNA
2	BH92-01161C	-	ASSY BOX	LEO	SNA
3	BH68-00530A	BOX	LABEL BOX-01	LABEL-BARCODE,CE+TC003,MOJO 90G,WHT	SNA
3	BH69-00574A	BOX	BOX-00,MONITOR	S/M795DF(LE17JS) W/W,CB-SW4,YEL,A-1,W452*D506*H435	SNA
2	BH92-01162A	-	ASSY ACCESSORY	LEO	SNA
3	BH96-00297A	UNIT/ACCESSORY	ASSY ACCESSORY	LEO	-
4	0203-000214	ACCESSORY	TAPE-OPP MASKING	OPP/W50/CLR,TO.05,W50,L400000,	SNA
4	6902-000110	ACCESSORY	BAG PE	LDPE,TO.05,L356,W240,TRP,28,2,PE MARK	SNA
4	BH39-10339H	ACCESSORY	CBF POWER CORD	DET,H05VV-F,250V/10,16A,BLK,25	SA
4	BH68-70418A	ACCESSORY	CARD-EU BLOC WARR-07	SyncMaster,BASIC,EU,MOJO,100G,	SNA
4	BH96-00296A	ACCESSORY	ASSY MANUAL P-IB+QSG	795DF,SyncMaster,W/W,27Lang,BH59-362A+BH68-376J	-
1	LC-LE17JSBB/EDC	-	2	LG,HIGH-CON	-
5	BH59-00362A	I/B	S/W DRIVER-00,IB	793S,795DF,W/W,SYNCMaster,27LANG	SNA
5	BH68-00376J	QUICK	MANUAL-01	AN_QUICK SETUP GUIDE,SYNCMaster,E/F/S/G/P/I.14LANGS,W/W,MOJO100G,298,420	SNA

7-5-1 LE15V* Mechanically Different Part List

DESCRIPTION	Code No	SPEC	Q'TY	NEW/Common	REMARK
1. ASS'Y/COVER-FRONT	BH96-00270A	ABS VO IV16	1	NEW	LE15VS
1-1. COVER FRONT(15 only)	BH63-00122A		1		
1-2. KNOB FUNCTION	BH64-00151A	ABS HB IV16	1	NEW	ALL(Sync.Sam) Common(15.17.19)
1-3. FUNCTION PCB	BH96-00287A	LEO	1		
1-4. LENS LED	BH67-00045A	ACRYL CLEAR	1	NEW	Syncmaster(15.17.19)
1-5. SCREW	6003-000259	BH,+B,M3,L8,ZPC(YEL)	2		
1-6. SUPPER CDT	BH72-00298A	ABS HB IV16	2		
2. COVER REAR(15 only)	BH63-00123A	ABS VO IV16	1	NEW	
3. ASS'Y/STAND	BH96-00272A	ABS HB IV16	1		Sync.SAM15.17 Common
1-1. STAND TOP	BH61-00050A	ABS HB IV16	1	NEW	
1-2. STAND BASE	BH61-00049A	ABS HB IV16	1		
1-3. RUBBER FOOT	BH61-40002A	NEOPRENE HB BGE	3	AQ Common	
1-4. PE BAG	6902-000109	HDPE T0.015 L430 W350 TRP 28 2PE MARK	1		
1-5. MANUAL STAND	BH68-70306A	ART PAPER150(S)	1		
1-6. LABEL STICKER	BH68-20366A	ART PAPER100(S)	1		
1-7. FELT	BH63-30103A	NITTO NO.5000	3		
4. SHIELD VIDEO	BH63-00131A	SPT E T0.2	1	NEW	ALL(Sync.Sam) Common(15.17.19)
5. SHIELD BOTTOM	BH63-00134A	SECC T1.0	1	NEW	ALL(Sync.Sam) Common(15.17.19)
6. SHIELD IC	BH63-00124A	SPT E T0.2	1	NEW	ALL(Sync.Sam) Common(15.17.19)
7. CUSHION	BH69-00560A	EPS M50,WHITE,C=0.02	1j	NEW	LE15VS
8. BOX	BH69-00571A	S/M591S(LE15VS) W/W,CB-SW4,YEL,A-1,W427*D452*H352			
9. HEAT SINK POWER H/SINK H OUT H/SINK	BH62-00004A BH62-00015A BH62-00038A			AQ Common	ALL(Sync.Sam) Common(15.17.19) LE15VS.LE17L*/K*/J* LE17IS.LE19I*
STEP UP H/SINK	BH62-30024B BH62-00016A				LE15VS.LE17IS.LE19I* LE17L*/K*/J*
V OUT H/SINK CRT Driver H/SINK	BH62-00003B BH62-00053A			NEW	ALL(Sync.Sam) Common(15.17.19) (Prearrange Develop)
10. SCREW	6003-000009 6003-000010 6003-000133 6006-001119 6003-000010 6003-000122	BH,+B,M4,L16,ZPC(YEL),SWRCH18 BWH,+B,M3,L10,ZPC(YEL),SWRCH1 BH,+S,M4,L8,ZPC(YEL),SWRCH18A,- WC,BH,+M5,L25,ZPC(YEL),SWRCH18A BWH,+B,M3,L10,ZPC(YEL),SWRCH1 BH,+S,M4,L8,ZPC(YEL),SWRCH18A,-	2 6 1 4 1 1		FRONT COVER + REAR COVER SHIELD BOTTOM + MAIN PCB SHIELD BOTTOM + AC SOCKET FRONT COVER + CRT VIDEO PCB + VIDEO SHIELD FBT+H/SINK

7-5-2 LE17LS/LE17LT/LE17KT/LE17JT Mechanically Different Part List

DESCRIPTION	Code No	SPEC	Q'TY	NEW/Common	REMARK
1. ASS'Y/COVER-FRONT	BH96-00274A	ABS HB IV16	1	NEW	LE17JS
1. ASS'Y/COVER-FRONT	BH96-00274B	ABS HB IV16	1	NEW	LE17KS
1. ASS'Y/COVER-FRONT	BH96-00274C	ABS HB IV16	1	NEW	LE17IS
1-1. COVER FRONT	BH63-00126A		1		
1-2. KNOB FUNCTION	BH64-00151A	ABS HB IV16	1	NEW	ALL(Sync.Sam) Common(15.17.19)
1-3. LENS LED	BH67-00045A	ACRYL CLEAR	1	NEW	Syncmaster(15.17.19) Samtron(15.17.19)
	BH67-00046A				
1-5. CAP BOSS	BH72-60491B	CGK5517,TPE,80,GRAY,CDT SETTING	2	AQ Common	
1-6. SCREW	6003-001023	BH,+,B,M3,L10,ZPC(YEL)	2		
1-7. SCREW	6006-001119	5*25			
2. COVER REAR	BH63-00130A	ABS HB IV16	1	NEW	Change core (SAMSUNG)
3. ASS'Y/STAND	BH96-00272A	ABS HB IV16	1		Sync.SAM15.17 Common
1-1. STAND TOP	BH61-00050A	ABS HB IV16	1	NEW	
1-2. STAND BASE	BH61-00049A	ABS HB IV16	1		
1-3. RUBBER FOOT	BH61-40002A	NEOPRENE HB BGE	3	AQCommon	
1-4. PE BAG	6902-000109	HDPE T0.015 L430 W350 TRP 28 2PE MARK	1		
1-5. MANUAL STAND	BH68-70306A	ART PAPER150(S)	1		
1-6. LABEL STICKER	BH68-20366A	ART PAPER100(S)	1		
1-7. FELT	BH63-30103A	NITTO NO.5000	3		
4. ASS'Y SHIELD COVER	BH96-00281A		1		
1-1. SHIELD-COVER REAR	BH63-00133A	SECC T0.5	1	NEW	
1-2. SHIELD COVER TOP	BH63-00132A	AL T0.25	1		
1-3. ANODE CAP	BH63-00145A	PP V2 NTL T1.0	1		ALL(Sync.Sam) Common(17.19)
5. SHIELD VIDEO	BH63-00131A	SPTE T0.2	1	NEW	ALL(Sync.Sam) Common(15.17.19)
6. SHIELD BOTTOM	BH63-00134A	SECC T1.0	1	NEW	ALL(Sync.Sam) Common(15.17.19)
7. SHIELD IC	BH63-00124A	SPTE T0.2	1	NEW	ALL(Sync.Sam) Common(15.17.19)
8. COVER PCB R	BH63-00143A	ABS+PC 5V IV16	1	NEW	ALL(Sync.Sam) Common(17.19)
9. COVER PCB L	BH63-00144A	ABS+PC 5V IV16	1	NEW	ALL(Sync.Sam) Common(17.19)
10. CUSHION	BH69-00561A	EPS M50,WHITE,C=0.02	1	NEW	LE17KS.LE17JS.LE17IS
11. HEAT SINK					
POWER H/SINK	BH62-00004A		1	AQ Common	ALL(Sync.Sam) Common(15.17.19)
H OUT H/SINK	BH62-00015A		1		LE15VS.LE17L*/K*/J*
	BH62-00038A		1		LE17IS.LE19I*
STEP UP H/SINK	BH62-30024B		1		LE15VS.LE17IS.LE19I*
	BH62-00016A		1		LE17L*/K*/J*
V OUT H/SINK	BH62-00003B		1		ALL(Sync.Sam) Common(15.17.19)
CRT Driver H/SINK	BH62-00053A		1	NEW	
FBT	BH62-00055A				
12. SCREW	6003-000009	BH,+,B,M4,L16,ZPC(YEL),SWRCH18	2		FRONT COVER + REAR COVER
	6003-000010	BWH,+,B,M3,L10,ZPC(YEL),SWRCH1	6		SHIELD BOTTOM + MAIN PCB
	6003-000010	BWH,+,B,M3,L10,ZPC(YEL),SWRCH1	2		SHIELD BOTTOM + SHIELD COVER
	6006-001103	SPRING+W,BWH,+,M3,L28(3),YEL,SWRCH18A+SUS+RUB	1		SHIELD BOTTOM + MAIN PCB
	6003-000133	BH,+,S,M4,L8,ZPC(YEL),SWRCH18A,-	1		SHIELD BOTTOM + AC SOCKET
	6006-001119	WC,BH,+,M5,L25,ZPC(YEL),SWRCH18A	4		FRONT COVER + CRT
	6003-000010	BWH,+,B,M3,L10,ZPC(YEL),SWRCH1	1		VIDEO PCB + VIDEO SHIELD
SUPPORT-CLIP	BN61-01137A	IBM E74,NYLON 66,1.0,NTR	1		

7-5-3 LE17KS/LE17JS Mechanically Different Part List

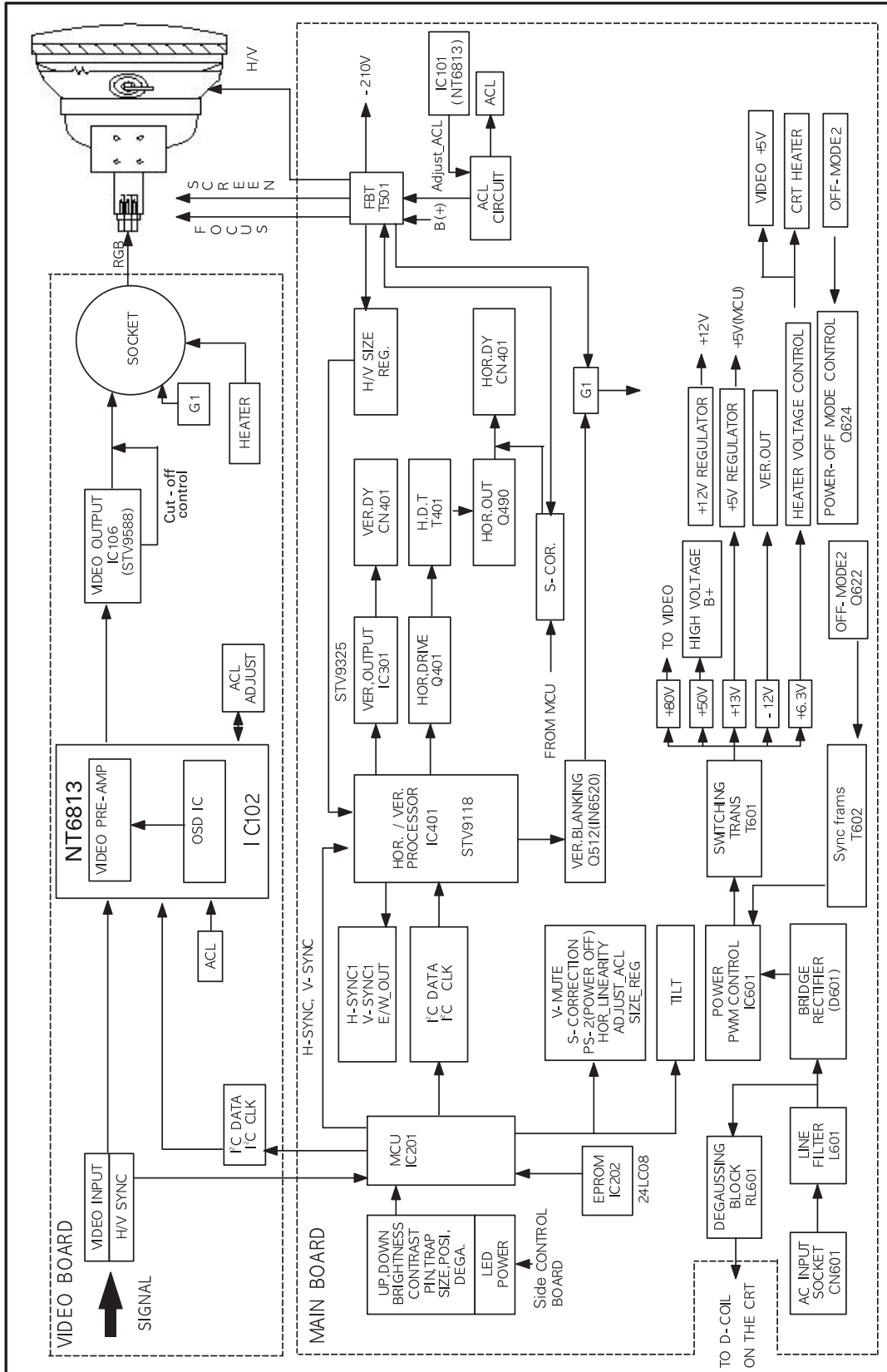
DESCRIPTION	Code No	SPEC	Q'TY	NEW/Common	REMARK
1. ASS'Y/COVER-FRONT	BH96-00277A	ABS VO IV16	1		LE17LT
1-1. COVER FRONT	BH63-00129A		1		
1-2. KNOB FUNCTION	BH64-00151A	ABS HB IV16	1	NEW	ALL(Sync.Sam) (15.17.19)
1-4. LENS LED	BH67-00046A	ACRYL CLEAR	1	NEW	Samtron(15.17.19)
1-5. CAP BOSS	BH72-60491B	CGK5517,TPE,80,GRAY,CDT SETTING	2	AQ Common	
1-6. SCREW	6003-001023	RWH,+,B,M3,L10,ZPC(YEL)	2		
2. COVER REAR	BH63-00130D	ABS VO IV16	1	NEW	Change core(SAMTRON)
3. ASS'Y/STAND	BH96-00272A	ABS HB IV16	1		Sync.SAM15.17 Common
1-1. STAND TOP	BH61-00050A	ABS HB IV16	1	NEW	
1-2. STAND BASE	BH61-00049A	ABS HB IV16	1		
1-3. RUBBER FOOT	BH61-40002A	NEOPRENE HB BGE	3	AQ Common	
1-4. PE BAG	6902-000109	HDPE T0.015 L430 W350 TRP 28 2PE MARK	1		
1-5. MANUAL STAND	BH68-70306A	ART PAPER150(S)	1		
1-6. LABEL STICKER	BH68-20366A	ART PAPER100(S)	1		
1-7. FELT	BH63-30103A	NITTO NO.5000	3		
5. SHIELD VIDEO	BH63-00131A	SPT E T0.2	1	NEW	ALL(Sync.Sam) Common(15.17.19)
6. SHIELD BOTTOM	BH63-00134A	SECC T1.0	1	NEW	ALL(Sync.Sam) Common(15.17.19)
7. SHIELD IC	BH63-00124A	SPT E T0.2	1	NEW	ALL(Sync.Sam) Common(15.17.19)
8. CUSHION	BH69-00563A				LE17LS,LE17LT
9. HEAT SINK					
POWER H/SINK	BH62-00004A		1	AQ Common	ALL(Sync.Sam) Common(15.17.19)
H OUT H/SINK	BH62-00055A		1		LE17IS.LE19I*
STEP UP H/SINK	BH62-00016A		1		LE17L*/K*/J*
V OUT H/SINK	BH62-00003B		1		ALL(Sync.Sam) Common(15.17.19)
CRT Driver H/SINK	BH62-00054A		1	NEW	
10. SCREW	6003-000009	BH,+,B,M4,L16,ZPC(YEL),SWRCH18	2		FRONT COVER + REAR COVER
	6003-001023	RWH,+,B,M3,L10,ZPC(YEL)	6		SHIELD BOTTOM + MAIN PCB
	6003-000133	BH,+,S,M4,L8,ZPC(YEL),SWRCH18A,-	1		SHIELD BOTTOM + AC SOCKET
	6003-000122	BH,+,B,M4,L12,ZPC(YEL),SWRCH18A,-	1		FBT+H/S
	6006-001119	WC,BH,+,M5,L25,ZPC(YEL),SWRCH18A	4		FRONT COVER + CRT
	6003-001023	RWH,+,B,M3,L10,ZPC(YEL)	2		VIDEO SHIELD +H/SINK
SUPPORT-CLIP	BN61-01137A	IBM E74,NYLON 66,1.0,NTR	1		

Memo

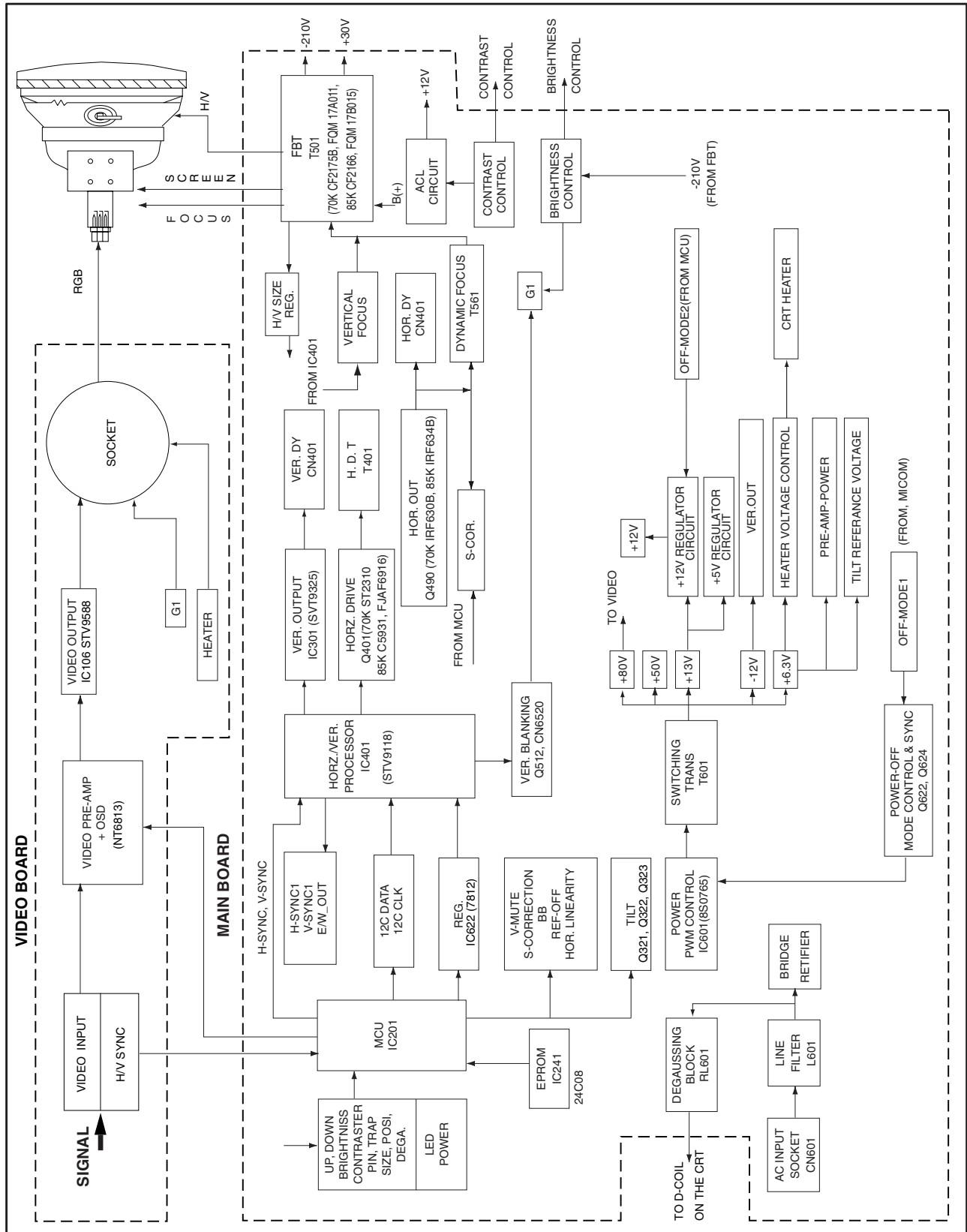
8 Block Diagrams

* This Document can not be used without Samsung's authorization.

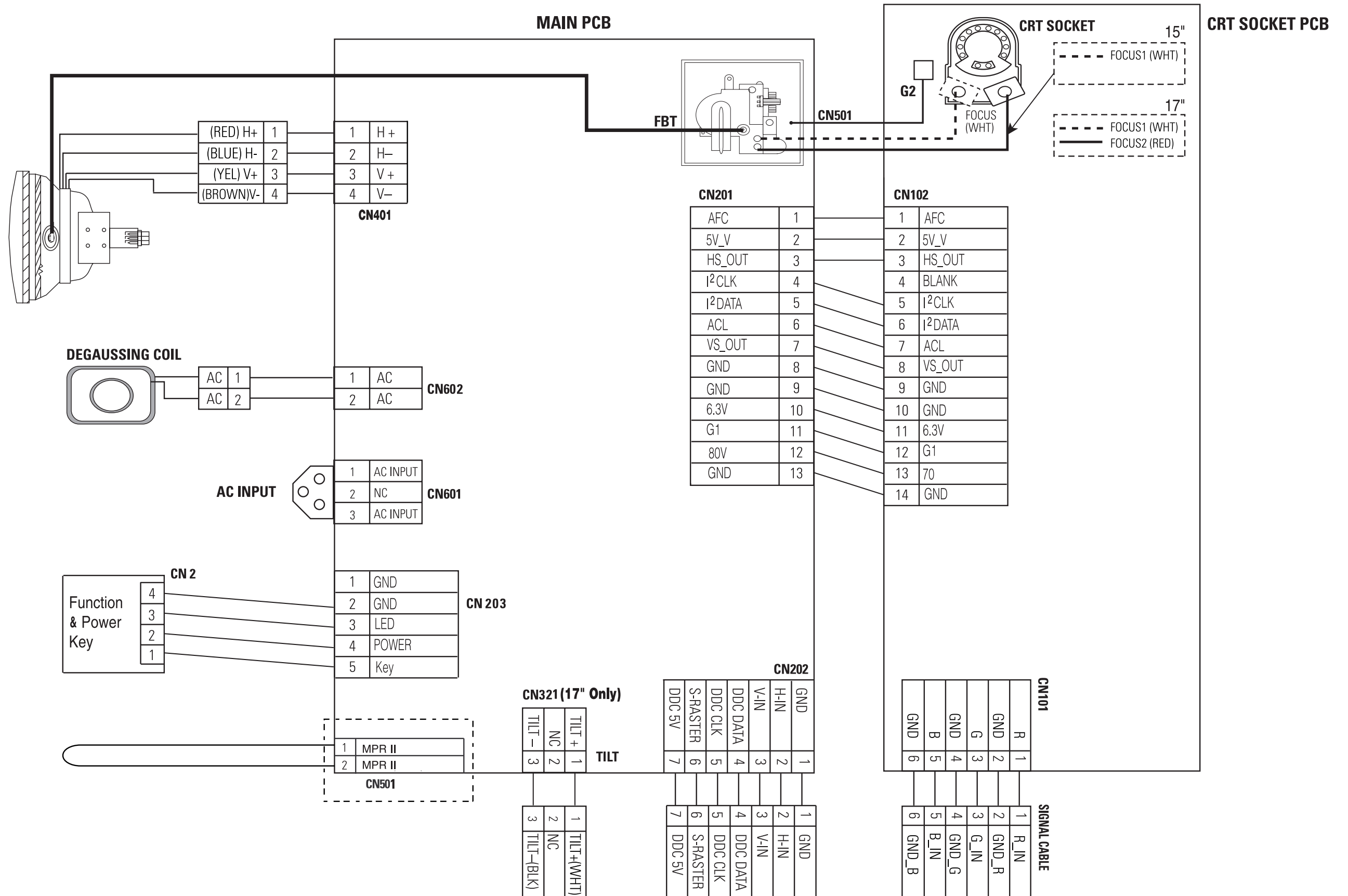
8-1 LE15V*



8-2 LE17LS/LE17LT/LE17KS/LE17KT/LE17JS/LE17JT



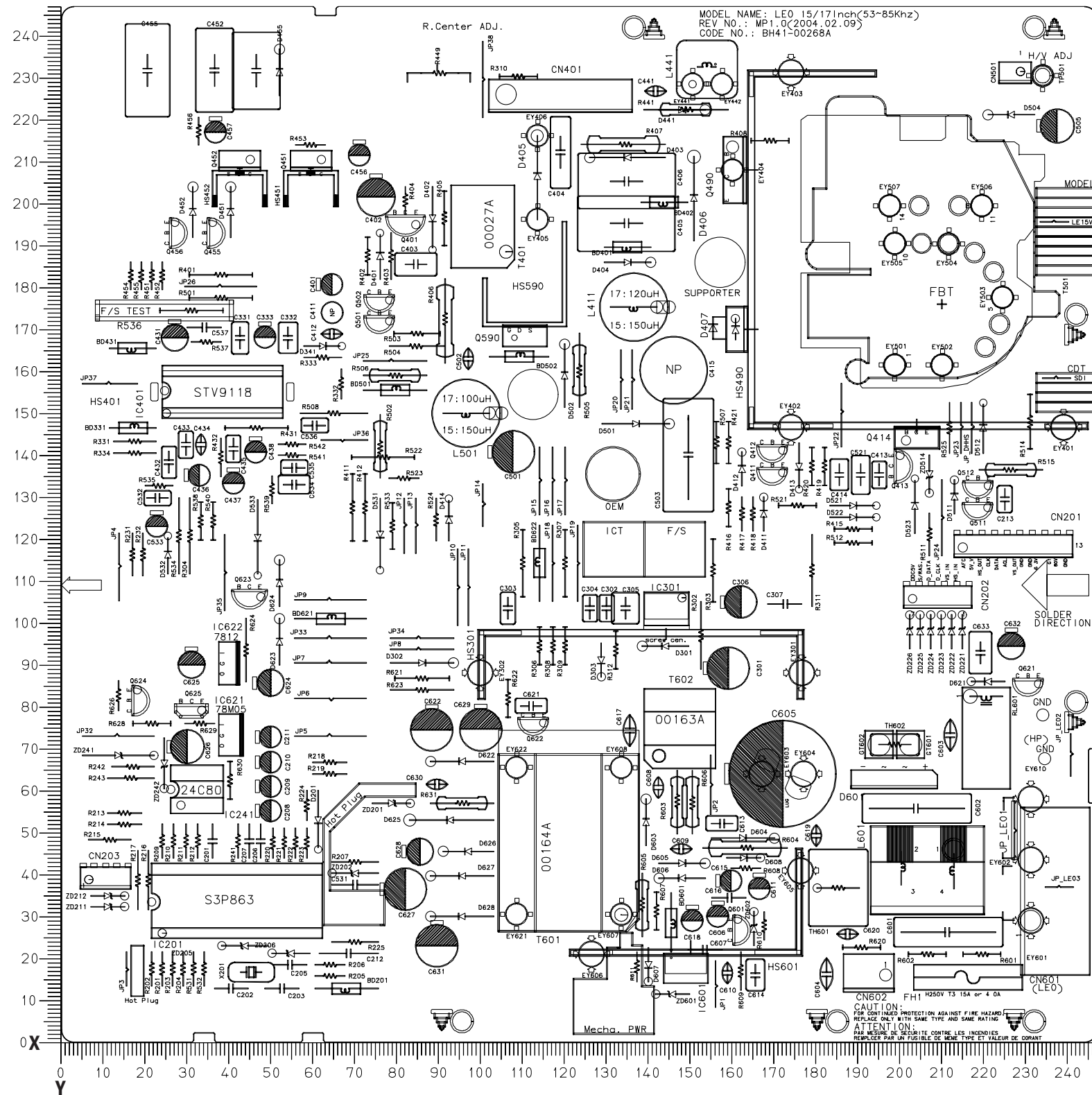
9 Wiring Diagram



Memo

10 PCB Layout

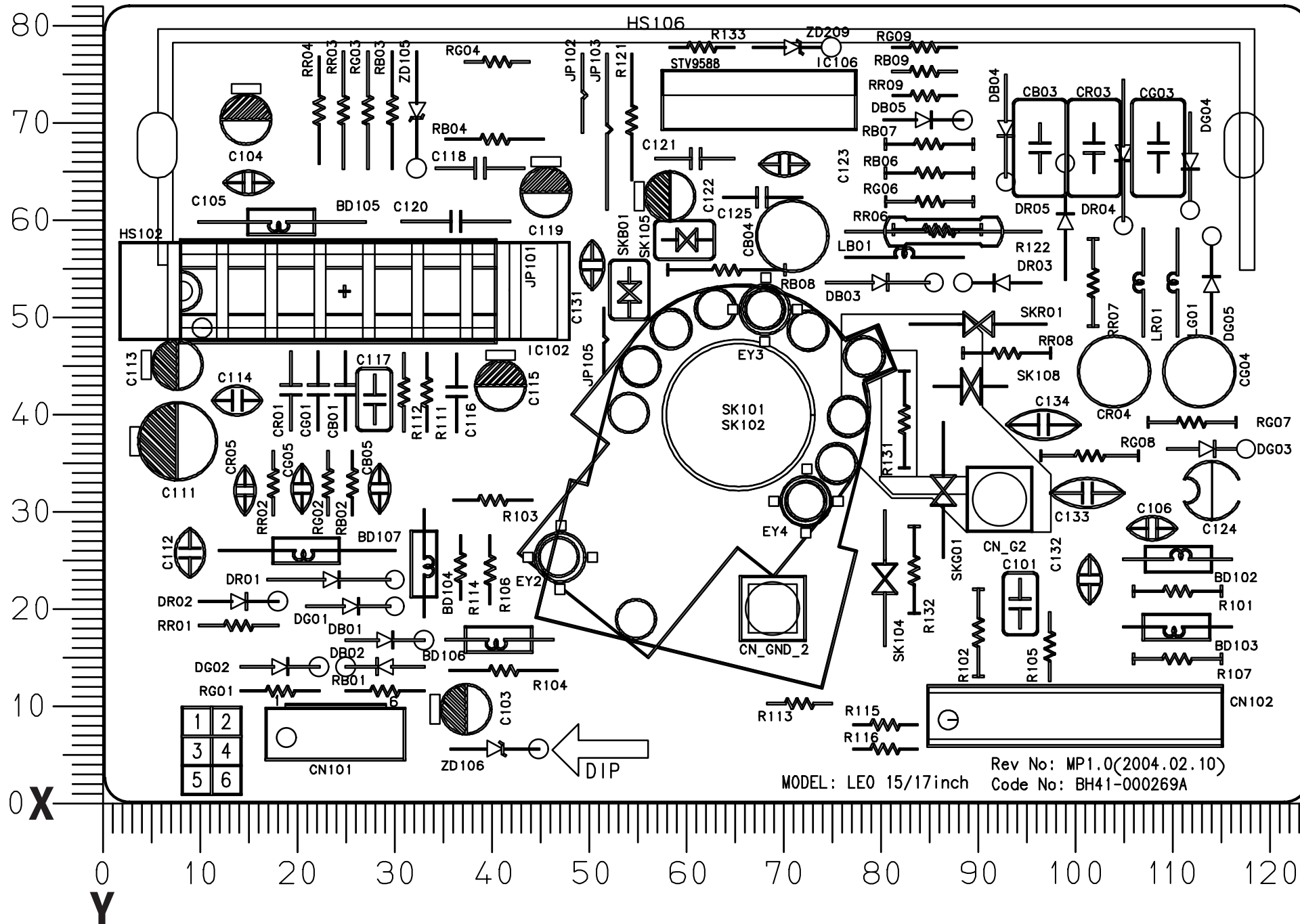
10-1 LE15V* Main PCB Layout



Loc. No.	Description	X	Y
DIODE			
D201	DIODE-SWITCHING	61.2	60.0
D301	"ST : 70V,1A,1.1V,1A,2000NS,0.5A"	149.5	94.5
D302	DIODE-RECTIFIER	78.5	90.5
D303	DIODE-SWITCHING	128.7	95.1
D341	DIODE-SWITCHING	57.8	166.0
D401	DIODE-SWITCHING	76.0	182.0
D402	DIODE-SWITCHING	88.5	204.0
D403	DIODE-RECTIFIER	144.0	211.0
D404	DIODE-RECTIFIER	129.5	186.0
D405	DIODE-RECTIFIER	113.5	196.2
D406	DIODE-RECTIFIER	150.8	191.2
D407	DIODE-RECTIFIER	160.8	172.6
D411	DIODE-SWITCHING	167.5	122.0
D412	DIODE-SWITCHING	162.3	132.7
D413	DIODE-SWITCHING	175.9	142.8
D414	DIODE-SWITCHING	92.4	119.6
D441	DIODE-RECTIFIER	142.5	222.4
D451	DIODE-RECTIFIER	40.3	192.0
D452	DIODE-RECTIFIER	31.3	192.0
D455	DIODE-RECTIFIER	52.0	225.8
D501	DIODE-RECTIFIER	129.0	147.5
D502	DIODE-RECTIFIER	120.0	151.5
D504	DIODE-RECTIFIER	232.0	221.2
D511	DIODE-SWITCHING	213.0	126.1
D512	DIODE-SWITCHING	219.8	140.5
D521	DIODE-SWITCHING	183.3	128.0
D522	DIODE-SWITCHING	183.3	125.2
D523	DIODE-SWITCHING	203.5	121.4
D531	DIODE-SWITCHING	76.0	129.6
D532	DIODE-SWITCHING	25.4	111.8
D533	DIODE-SWITCHING	46.8	129.3
D601	DIODE-BRIDGE	198.6	63.5
D603	ST : ST 02169-218-100	139.4	47.0
D604	ST : ST 02169-218-100	155.0	48.7
D605	DIODE-RECTIFIER	142.5	42.7
D606	DIODE-RECTIFIER	153.5	39.2
D607	DIODE-SWITCHING	140.0	22.5
D608	DIODE-SWITCHING	158.7	44.0
D621	DIODE-SWITCHING	225.0	86.0
D622	DIODE-RECTIFIER	103.0	67.0
D623	DIODE-RECTIFIER	52.0	90.0
D624	DIODE-RECTIFIER	52.0	104.0
D625	DIODE-RECTIFIER	103.0	53.0
D626	ST : ST 02169-218-100	103.0	45.5
D627	DIODE-RECTIFIER	103.0	39.7
D628	DIODE-RECTIFIER	103.0	30.0
ZD201	DIODE-ZENER	74.2	57.0

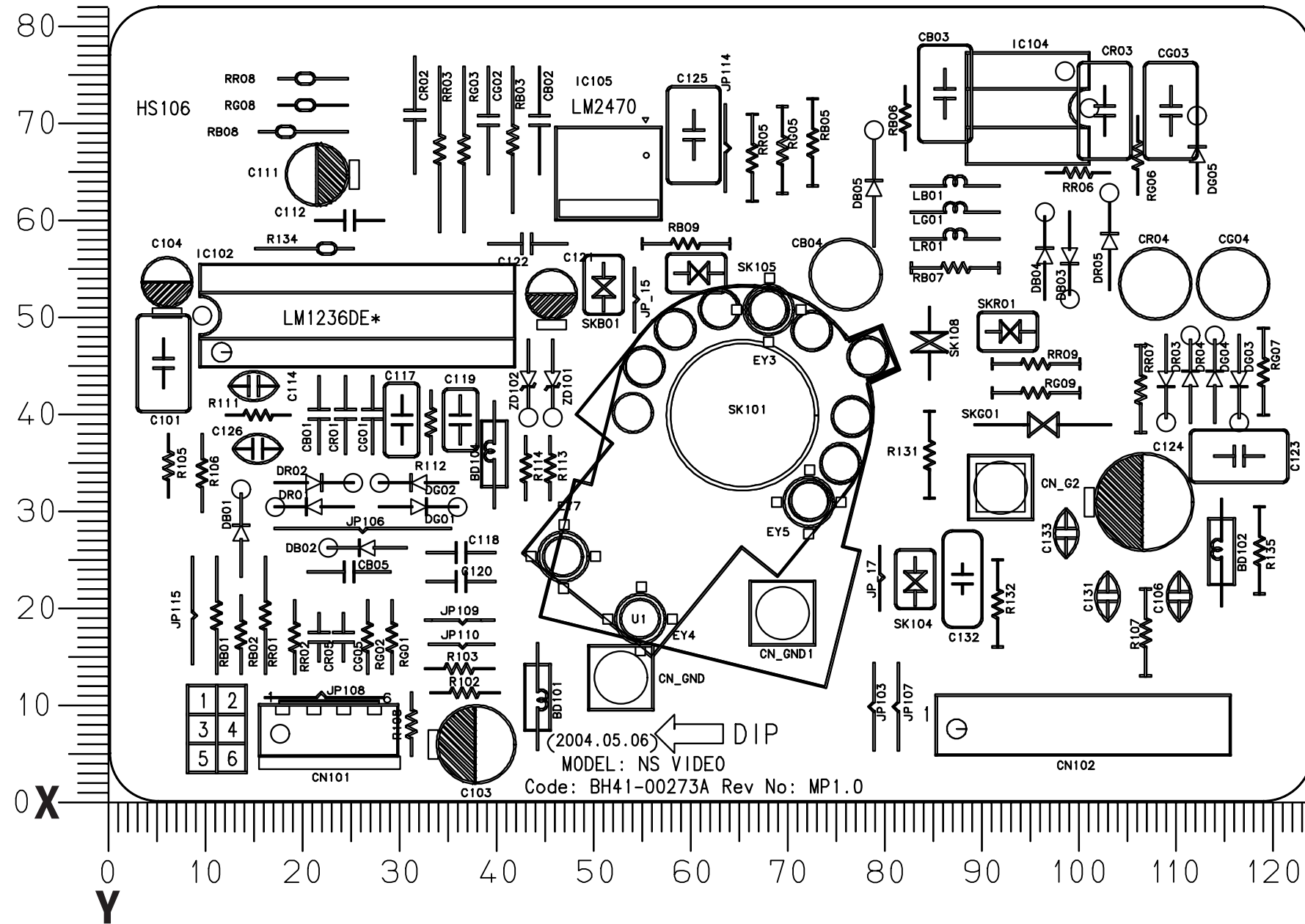
Loc. No.	Description	X	Y
ZD202	DIODE-ZENER	75.5	40.3
ZD205	DIODE-ZENER	38.2	23.0
ZD206	DIODE-ZENER	50.2	21.2
ZD211	DIODE-ZENER	7.0	32.3
ZD212	DIODE-ZENER	7.0	34.9
ZD221	DIODE-ZENER	214.8	93.9
ZD222	DIODE-ZENER	212.3	93.9
ZD223	DIODE-ZENER	209.8	93.9
ZD224	DIODE-ZENER	207.3	93.9
ZD225	DIODE-ZENER	204.8	93.9
ZD226	DIODE-ZENER	202.3	93.9
ZD241	DIODE-ZENER	5.0	68.4
ZD242	DIODE-ZENER	24.5	72.5
ZD514	DIODE-ZENER	207.0	140.0
ZD601	DIODE-ZENER	141.7	11.5
ZD602	DIODE-ZENER	165.1	23.1
IC			
IC201	IC-MICROCONTROLLER	24.0	26.0
IC241	IC-EEPROM	28.5	56.5
IC301	PR:IC-CONSUMER/CIRCUIT	148.0	106.0
IC401	IC-HOR./VER.PROCESSO	25.0	150.0
IC601	IC-HYBRID	148.9	18.5
IC621	IC-POS:ADJUST REG.	40.0	75.8
IC622	IC-POS:FIXED REG.	40.0	93.0
TRANSISTOR			
Q401	TR-SMALL SIGNAL	84.5	195.0
Q411	TR-SMALL SIGNAL	172.0	135.8
Q412	TR-SMALL SIGNAL	172.0	141.2
Q413	TR-SMALL SIGNAL	200.0	139.9
Q414	TR-POWER	204.0	143.5
Q451	FET-SILICON	62.0	210.5
Q452	FET-SILICON	45.0	210.5
Q455	TR-SMALL SIGNAL	36.0	195.5
Q456	TR-SMALL SIGNAL	27.0	195.5
Q490	TR-POWER	160.0	213.5
Q501	TR-SMALL SIGNAL	78.3	172.0
Q502	TR-SMALL SIGNAL	78.3	177.0
Q511	TR-SMALL SIGNAL	221.0	127.5
Q512	TR-SMALL SIGNAL	221.1	132.7
Q590	FET-SILICON	108.0	168.0
Q601	TR-SMALL SIGNAL	161.3	29.3
Q621	TR-SMALL SIGNAL	233.0	85.5
Q622	TR-SMALL SIGNAL	115.0	76.2
Q623	TR-SMALL SIGNAL	47.5	106.2
Q624	TR-SMALL SIGNAL	18.0	84.0
Q625	TR-SMALL SIGNAL	33.5	79.2

10-2 LE15V* SN Video PCB Layout



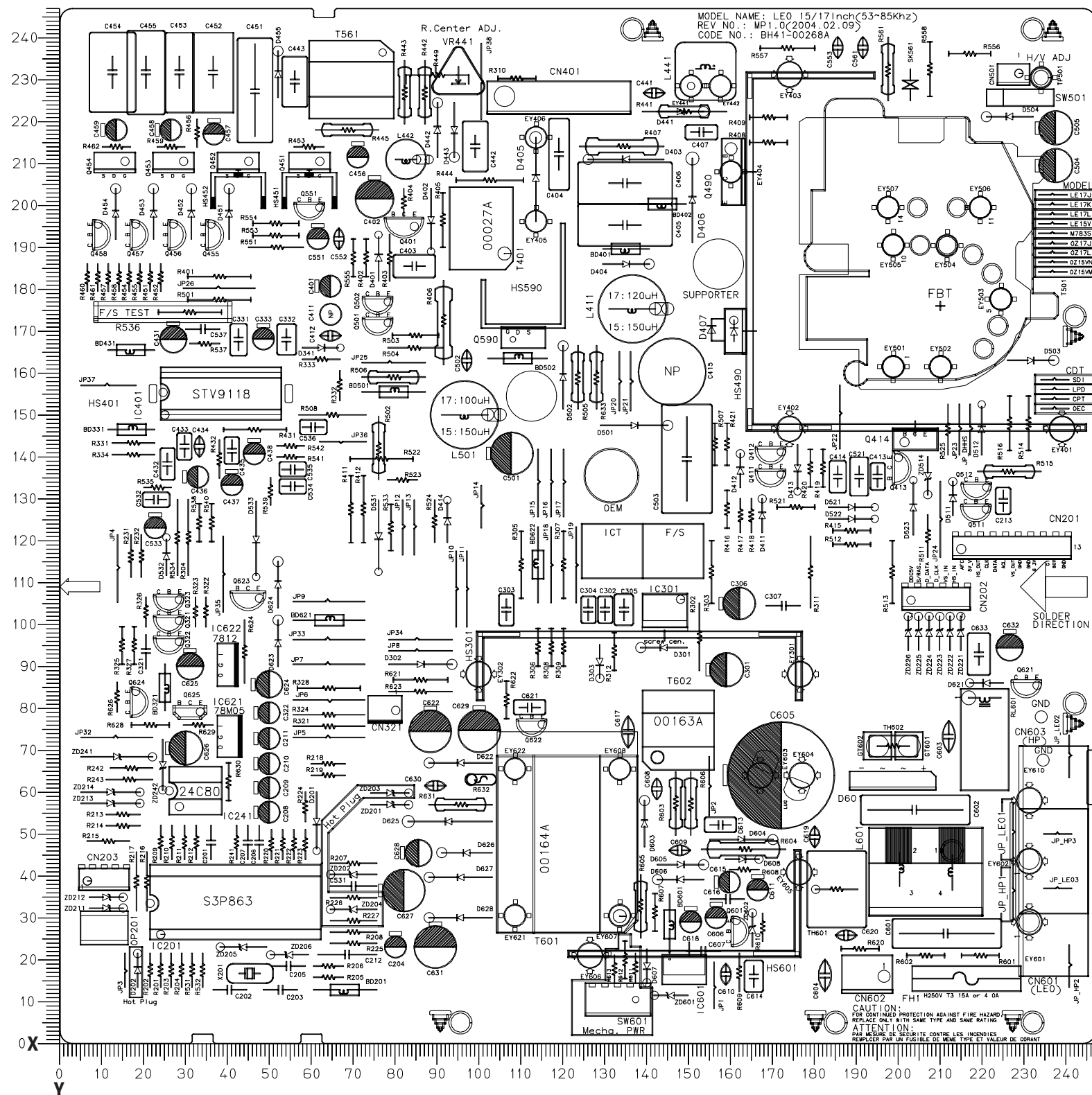
Loc. No.	Description	X	Y
DIODE			
DB01	DIODE-SWITCHING	24.8	16.8
DB02	DIODE-SWITCHING	32.8	14
DB03	DIODE-SWITCHING	74	53.7
DB04	DIODE-SWITCHING	92.4	75.1
DB05	DIODE-SWITCHING	80.0	70.5
DG01	DIODE-SWITCHING	20.8	20.3
DG02	DIODE-SWITCHING	14	14
DG03	DIODE-SWITCHING	109	36.5
DG04	DIODE-SWITCHING	111.3	71.2
DG05	DIODE-SWITCHING	113.5	48.5
DR01	DIODE-SWITCHING	16.8	23
DR02	DIODE-SWITCHING	9.8	20.8
DR03	DIODE-SWITCHING	96.0	53.7
DR04	DIODE-SWITCHING	104.5	74.6
DR05	DIODE-SWITCHING	98.5	54
ZD105	DIODE-ZENER	32	77.5
ZD106	DIODE-ZENER	35.5	5.5
ZD209	DIODE-ZENER	66.5	78
IC			
IC102	IC-VIDEO AMP	10	49
IC106	CONSUMER	58.1	70.5

10-3 LE15V* SZ Video PCB Layout



Loc. No.	Description	X	Y
DIODE			
DB01	DIODE-SWITCHING	13.5	23.3
DB02	DIODE-SWITCHING	30.5	26.3
DB03	DIODE-SWITCHING	98.6	61.0
DB04	DIODE-SWITCHING	96.1	52.0
DB05	DIODE-SWITCHING	78.5	57.5
DG01	DIODE-SWITCHING	27.8	30.5
DG02	DIODE-SWITCHING	35.8	33.0
DG03	DIODE-SWITCHING	116.0	48.3
DG04	DIODE-SWITCHING	113.5	39.3
DG05	DIODE-SWITCHING	111.7	63.0
DR01	DIODE-SWITCHING	25.0	30.5
DR02	DIODE-SWITCHING	17.0	33.0
DR03	DIODE-SWITCHING	108.5	48.3
DR04	DIODE-SWITCHING	111.0	39.3
DR05	DIODE-SWITCHING	102.7	53.0
ZD101	DIODE-ZENER	45.5	47.8
ZD102	DIODE-ZENER	43.0	47.8
IC			
IC102	IC-VIDEO AMP	11.5	46.5
IC104	IC HYBRID-BIAS CLAMP	98.1	75.6
IC105	IC-VIDEO AMP	55.2	68.5

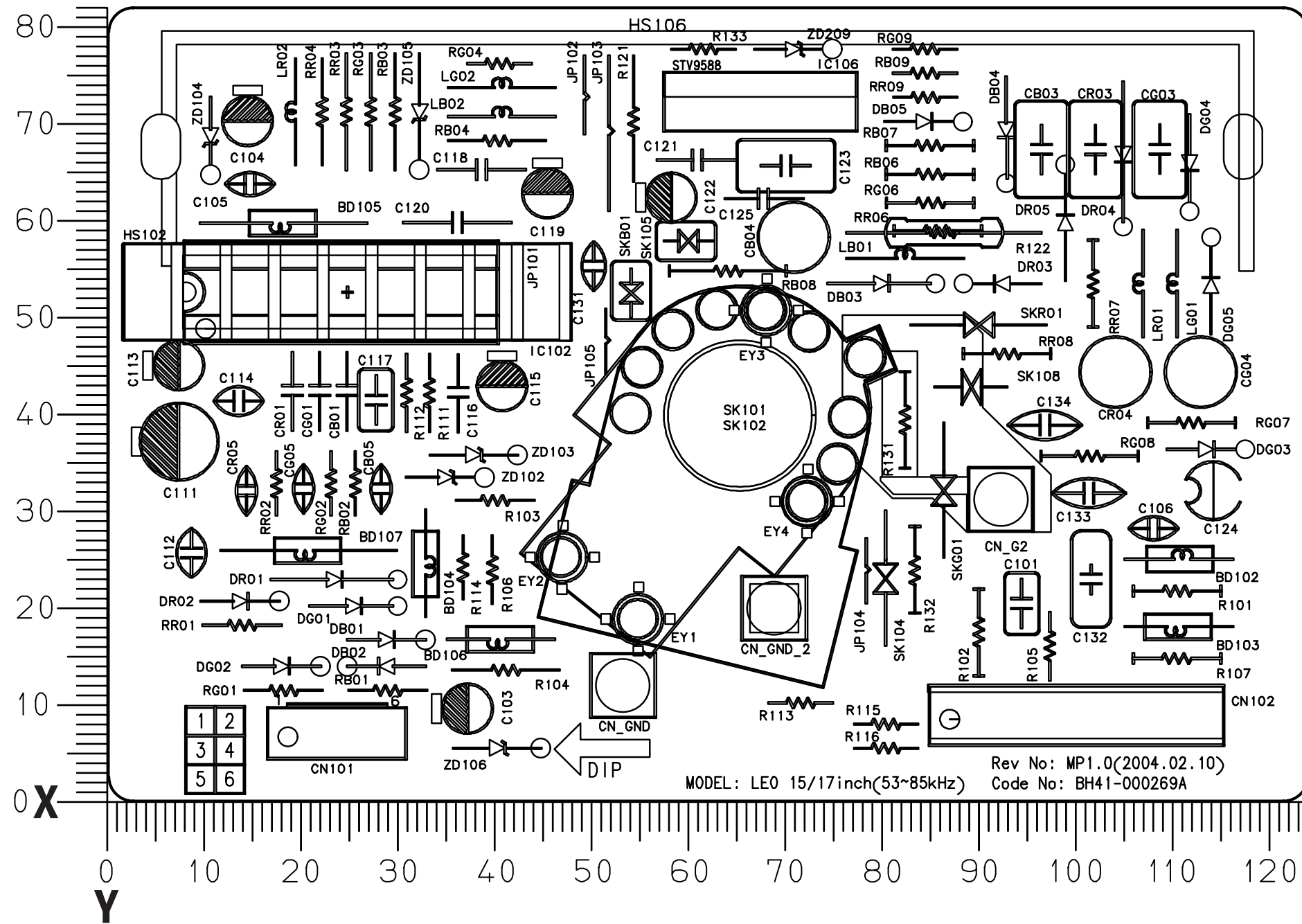
10-4 LE17LS/LE17LT/LE17KS/LE17KT/LE17JS/LE17JT Main PCB Layout



Loc. No.	Description	X	Y
DIODE			
D201	DIODE-SWITCHING	61.2	60.0
D202	DIODE-SWITCHING	18.5	13.5
D301	"ST: 70V,1A,1.1V,1A,2000MS,0.5A"	149.5	94.5
D302	DIODE-RECTIFIER	78.5	90.5
D303	DIODE-SWITCHING	128.7	95.1
D341	DIODE-SWITCHING	57.8	166.0
D401	DIODE-SWITCHING	76.0	182.0
D402	DIODE-SWITCHING	88.5	204.0
D403	DIODE-RECTIFIER	144.0	211.0
D404	DIODE-RECTIFIER	129.5	186.0
D405	DIODE-RECTIFIER	113.5	196.2
D406	DIODE-RECTIFIER	150.8	191.2
D407	DIODE-RECTIFIER	160.8	172.6
D411	DIODE-SWITCHING	167.5	122.0
D412	DIODE-SWITCHING	162.3	132.7
D413	DIODE-SWITCHING	175.9	142.8
D414	DIODE-SWITCHING	92.4	119.6
D441	DIODE-RECTIFIER	142.5	222.4
D442	DIODE-RECTIFIER	90.0	211.5
D443	DIODE-RECTIFIER	94.0	224.5
D451	DIODE-RECTIFIER	40.3	192.0
D452	DIODE-RECTIFIER	31.3	192.0
D453	DIODE-RECTIFIER	22.3	192.0
D454	DIODE-RECTIFIER	13.3	192.0
D455	DIODE-RECTIFIER	52.0	225.8
D501	DIODE-RECTIFIER	129.0	147.5
D502	DIODE-RECTIFIER	120.0	151.5
D503	DIODE-RECTIFIER	226.0	163.0
D504	DIODE-RECTIFIER	232.0	221.2
D511	DIODE-SWITCHING	213.0	126.1
D512	DIODE-SWITCHING	219.8	140.5
D521	DIODE-SWITCHING	183.3	128.0
D522	DIODE-SWITCHING	183.3	125.2
D523	DIODE-SWITCHING	203.5	121.4
D531	DIODE-SWITCHING	76.0	129.6
D532	DIODE-SWITCHING	25.4	111.8
D533	DIODE-SWITCHING	46.8	129.3
D601	DIODE-BRIDGE	198.6	63.5
D603	ST: ST 02169-218-100	139.4	47.0
D604	ST: ST 02169-218-100	155.0	48.7
D605	DIODE-RECTIFIER	142.5	42.7
D606	DIODE-RECTIFIER	153.5	39.2
D607	DIODE-SWITCHING	140.0	22.5
D608	DIODE-SWITCHING	158.7	44.0
D621	DIODE-SWITCHING	225.0	86.0
D622	DIODE-RECTIFIER	103.0	67.0
D623	DIODE-RECTIFIER	52.0	90.0
D624	DIODE-RECTIFIER	52.0	104.0
D625	DIODE-RECTIFIER	103.0	53.0
D626	ST: ST 02169-218-100	103.0	45.5
D627	DIODE-RECTIFIER	103.0	39.7
D628	DIODE-RECTIFIER	103.0	30.0
ZD201	DIODE-ZENER	74.2	57.0
ZD202	DIODE-ZENER	75.5	40.3
ZD203	DIODE-ZENER	74.2	59.8
ZD204	DIODE-ZENER	75.5	32.1
ZD205	DIODE-ZENER	49.2	23.0

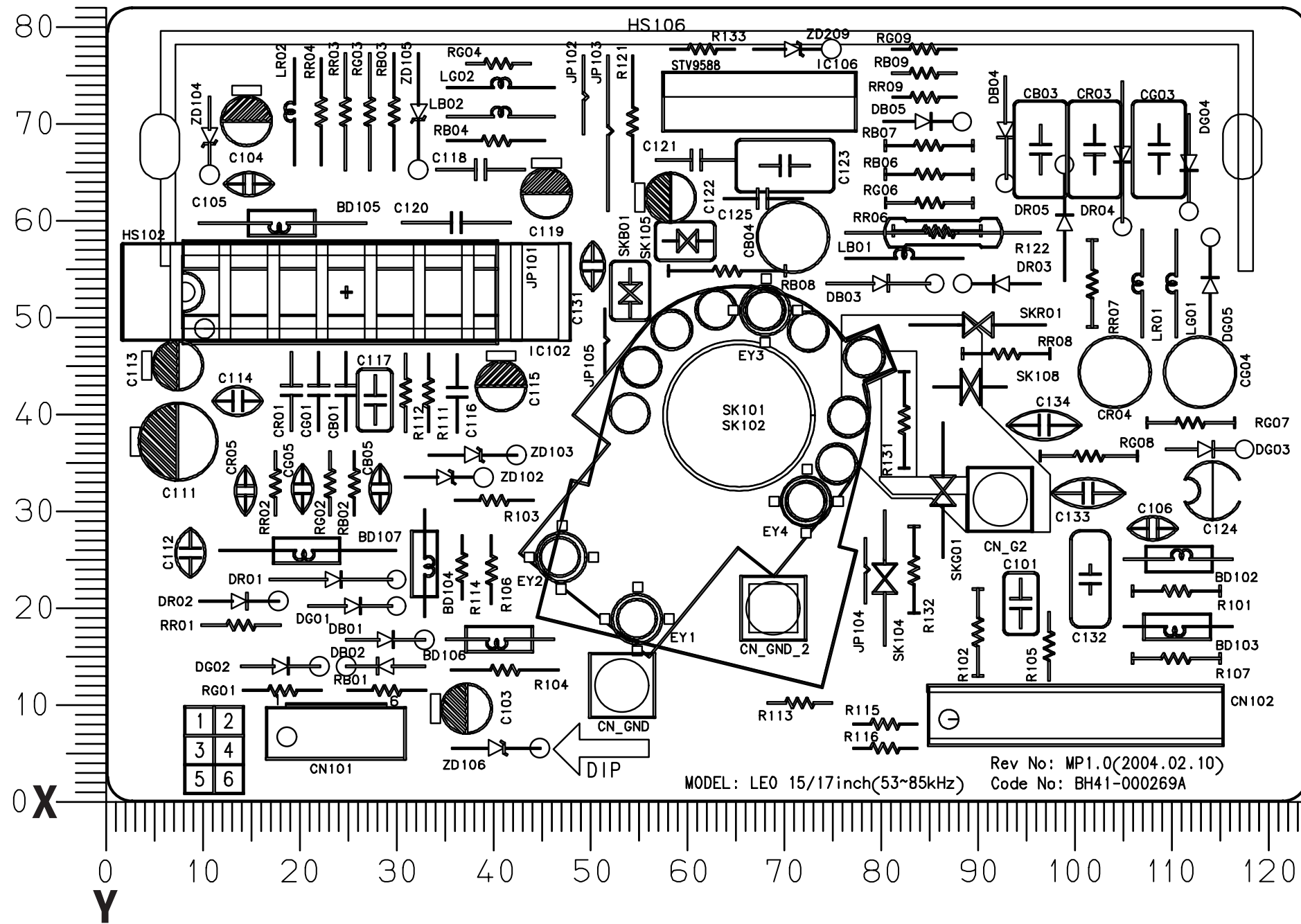
Loc. No.	Description	X	Y
ZD206	DIODE-ZENER	59.2	21.2
ZD211	DIODE-ZENER	7.0	32.3
ZD212	DIODE-ZENER	7.0	34.9
ZD213	DIODE-ZENER	5.0	57.3
ZD214	DIODE-ZENER	5.0	60.0
ZD221	DIODE-ZENER	214.8	93.9
ZD222	DIODE-ZENER	212.3	93.9
ZD223	DIODE-ZENER	209.8	93.9
ZD224	DIODE-ZENER	207.3	93.9
ZD225	DIODE-ZENER	204.8	93.9
ZD226	DIODE-ZENER	202.3	93.9
ZD241	DIODE-ZENER	5.0	68.4
ZD242	DIODE-ZENER	24.5	72.5
ZD514	DIODE-ZENER	207.0	140.0
ZD601	DIODE-ZENER	141.7	11.5
ZD602	DIODE-ZENER	165.1	23.1
IC			
IC201	IC-MICROCONTROLLER	24.0	26.0
IC241	IC-EEPROM	28.5	56.5
IC301	PR:IC-CONSUMER/CIRCUIT	148.0	106.0
IC401	IC-HOR./VER.PROCESSO	25.0	150.0
IC601	IC-HYBRID	148.9	18.5
IC621	IC-POS:ADJUST REG.	40.0	75.8
IC622	IC-POS:FIXED REG.	40.0	93.0
TRANSISTOR			
Q321	TR-SMALL SIGNAL	28.5	100.9
Q322	TR-SMALL SIGNAL	28.5	95.9
Q323	TR-SMALL SIGNAL	28.5	105.9
Q401	TR-SMALL SIGNAL	84.5	195.0
Q411	TR-SMALL SIGNAL	172.0	135.8
Q412	TR-SMALL SIGNAL	172.0	141.2
Q413	TR-SMALL SIGNAL	200.0	139.9
Q414	TR-POWER	204.0	143.5
Q451	FET-SILICON	62.0	210.5
Q452	FET-SILICON	45.0	210.5
Q453	FET-SILICON	29.5	210.5
Q454	FET-SILICON	15.5	210.5
Q455	TR-SMALL SIGNAL	36.0	195.5
Q456	TR-SMALL SIGNAL	27.0	195.5
Q457	TR-SMALL SIGNAL	18.0	195.5
Q458	TR-SMALL SIGNAL	9.0	195.5
Q490	TR-POWER	160.0	213.5
Q501	TR-SMALL SIGNAL	78.3	172.0
Q502	TR-SMALL SIGNAL	78.3	177.0
Q511	TR-SMALL SIGNAL	221.0	127.5
Q512	TR-SMALL SIGNAL	221.1	132.7
Q551	TR-SMALL SIGNAL	62.0	199.5
Q590	FET-SILICON	108.0	168.0
Q601	TR-SMALL SIGNAL	161.3	29.3
Q621	TR-SMALL SIGNAL	233.0	85.5
Q622	TR-SMALL SIGNAL	115.0	76.2
Q623	TR-SMALL SIGNAL	47.5	106.2
Q624	TR-SMALL SIGNAL	18.0	84.0
Q625	TR-SMALL SIGNAL	33.5	79.2

10-5 LE17KS/LE17KT/LE17JS/LE17JT Video PCB Layout



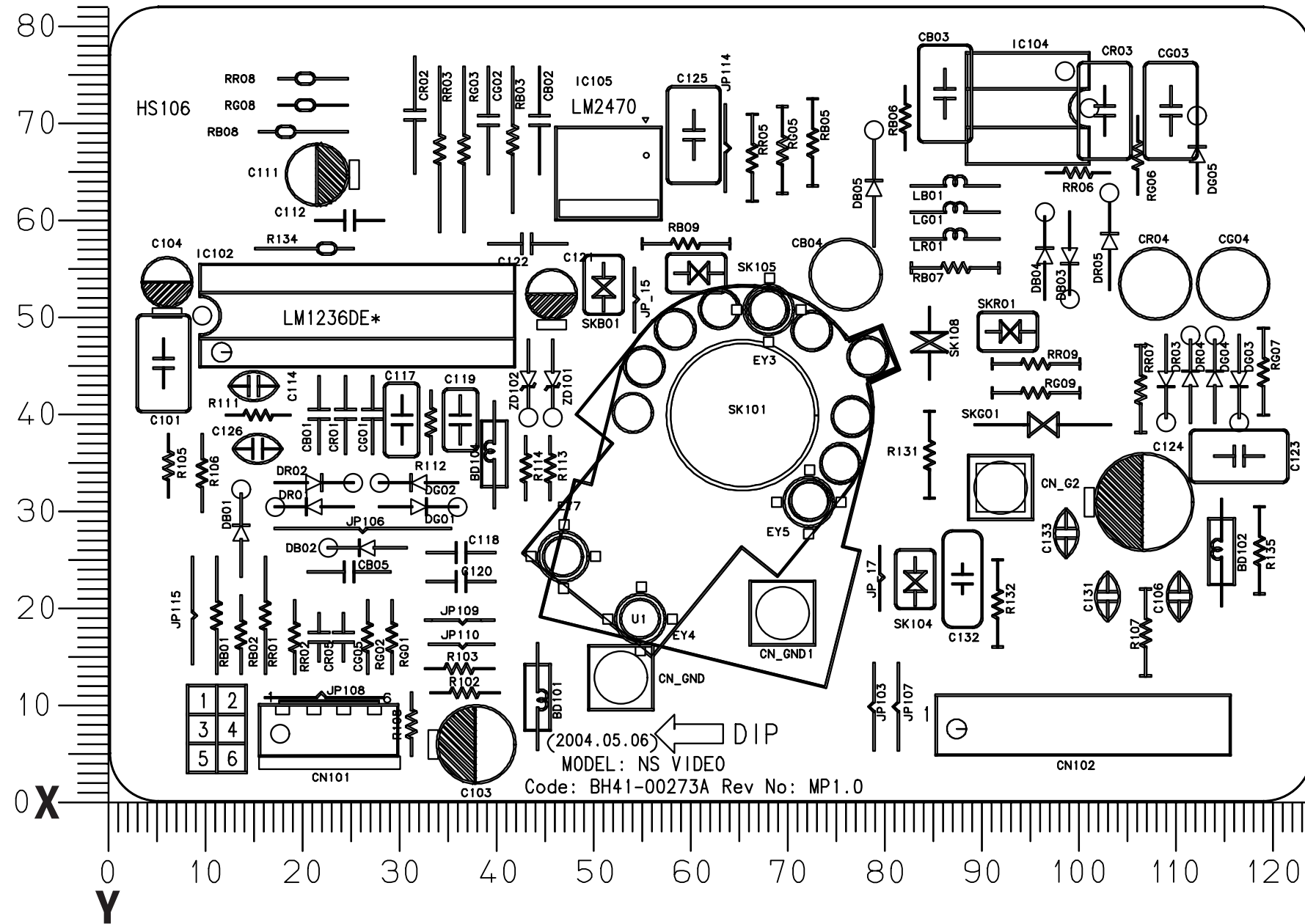
Loc. No.	Description	X	Y
DIODE			
DB01	DIODE-SWITCHING	24.8	16.8
DB02	DIODE-SWITCHING	32.8	14.0
DB03	DIODE-SWITCHING	74.0	53.7
DB04	DIODE-SWITCHING	92.4	75.1
DB05	DIODE-SWITCHING	80.0	70.5
DG01	DIODE-SWITCHING	20.8	20.3
DG02	DIODE-SWITCHING	14.0	14.0
DG03	DIODE-SWITCHING	109.0	36.5
DG04	DIODE-SWITCHING	111.3	71.2
DG05	DIODE-SWITCHING	113.5	48.5
DR01	DIODE-SWITCHING	16.8	23.0
DR02	DIODE-SWITCHING	9.8	20.8
DR03	DIODE-SWITCHING	96.0	53.7
DR04	DIODE-SWITCHING	104.5	74.6
DR05	DIODE-SWITCHING	98.5	54.0
ZD102	DIODE-ZENER	30.7	33.6
ZD103	DIODE-ZENER	33.1	35.9
ZD104	DIODE-ZENER	10.5	73.0
ZD105	DIODE-ZENER	32.0	77.5
ZD106	DIODE-ZENER	35.5	5.5
ZD209	DIODE-ZENER	66.5	78.0
IC			
IC102	IC-VIDEO AMP	10.0	49.0
IC106	CONSUMER	58.1	70.5

10-6 LE17LS/LE17LT SN Video PCB Layout



Loc. No.	Description	X	Y
DIODE			
DB01	DIODE-SWITCHING	24.8	16.8
DB02	DIODE-SWITCHING	32.8	14.0
DB03	DIODE-SWITCHING	74.0	53.7
DB04	DIODE-SWITCHING	92.4	75.1
DB05	DIODE-SWITCHING	80.0	70.5
DG01	DIODE-SWITCHING	20.8	20.3
DG02	DIODE-SWITCHING	14.0	14.0
DG03	DIODE-SWITCHING	109.0	36.5
DG04	DIODE-SWITCHING	111.3	71.2
DG05	DIODE-SWITCHING	113.5	48.5
DR01	DIODE-SWITCHING	16.8	23.0
DR02	DIODE-SWITCHING	9.8	20.8
DR03	DIODE-SWITCHING	96.0	53.7
DR04	DIODE-SWITCHING	104.5	74.6
DR05	DIODE-SWITCHING	98.5	54.0
ZD102	DIODE-ZENER	30.7	33.6
ZD103	DIODE-ZENER	33.1	35.9
ZD104	DIODE-ZENER	10.5	73.0
ZD105	DIODE-ZENER	32.0	77.5
ZD106	DIODE-ZENER	35.5	5.5
ZD209	DIODE-ZENER	66.5	78.0
IC			
IC102	IC-VIDEO AMP	10.0	49.0
IC106	CONSUMER	58.1	70.5

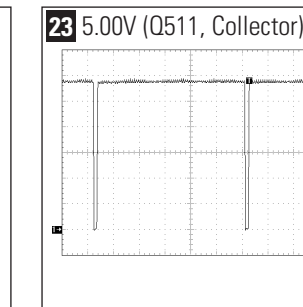
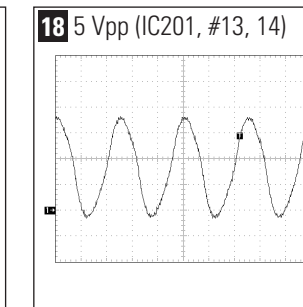
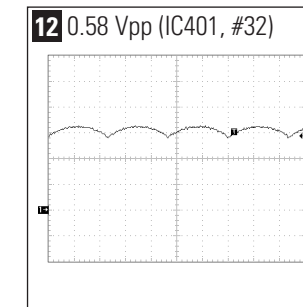
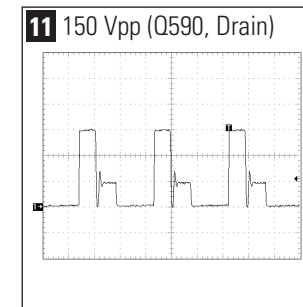
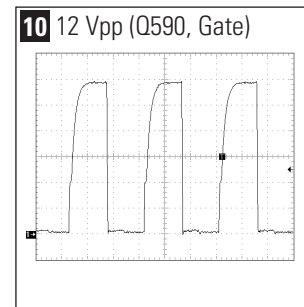
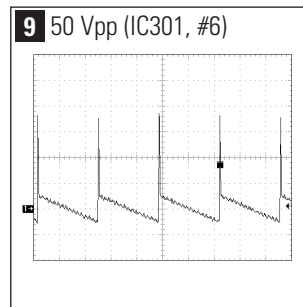
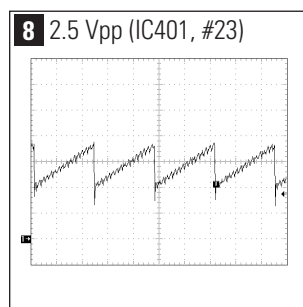
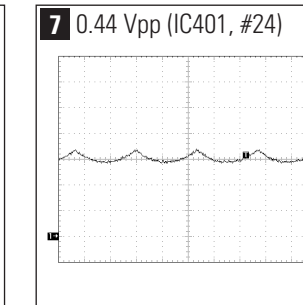
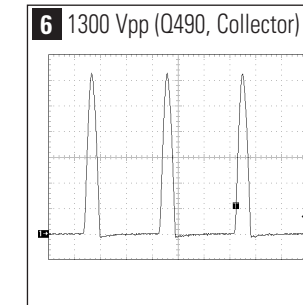
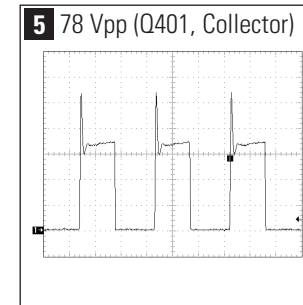
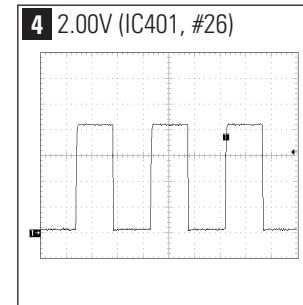
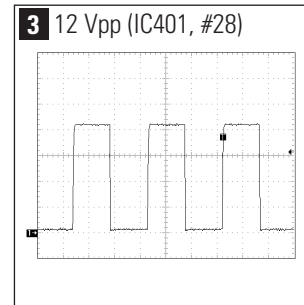
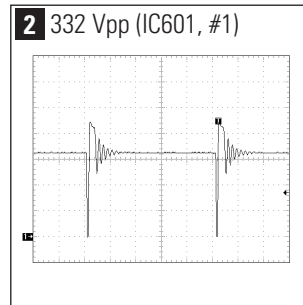
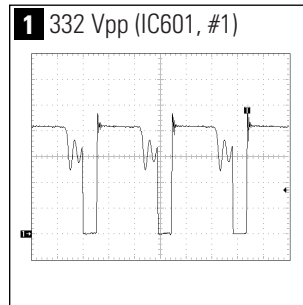
10-7 LE17LS/LE17LT SZ Video PCB Layout



Loc. No.	Description	X	Y
DIODE			
DB01	DIODE-SWITCHING	13.5	23.3
DB02	DIODE-SWITCHING	30.5	26.3
DB03	DIODE-SWITCHING	98.6	61.0
DB04	DIODE-SWITCHING	96.1	52.0
DB05	DIODE-SWITCHING	78.5	57.5
DG01	DIODE-SWITCHING	27.8	30.5
DG02	DIODE-SWITCHING	35.8	33.0
DG03	DIODE-SWITCHING	116.0	48.3
DG04	DIODE-SWITCHING	113.5	39.3
DG05	DIODE-SWITCHING	111.7	63.0
DR01	DIODE-SWITCHING	25.0	30.5
DR02	DIODE-SWITCHING	17.0	33.0
DR03	DIODE-SWITCHING	108.5	48.3
DR04	DIODE-SWITCHING	111.0	39.3
DR05	DIODE-SWITCHING	102.7	53.0
ZD101	DIODE-ZENER	45.5	47.8
ZD102	DIODE-ZENER	43.0	47.8
IC			
IC102	IC-VIDEO AMP	11.5	46.5
IC104	IC HYBRID-BIAS CLAMP	98.1	75.6
IC105	IC-VIDEO AMP	55.2	68.5

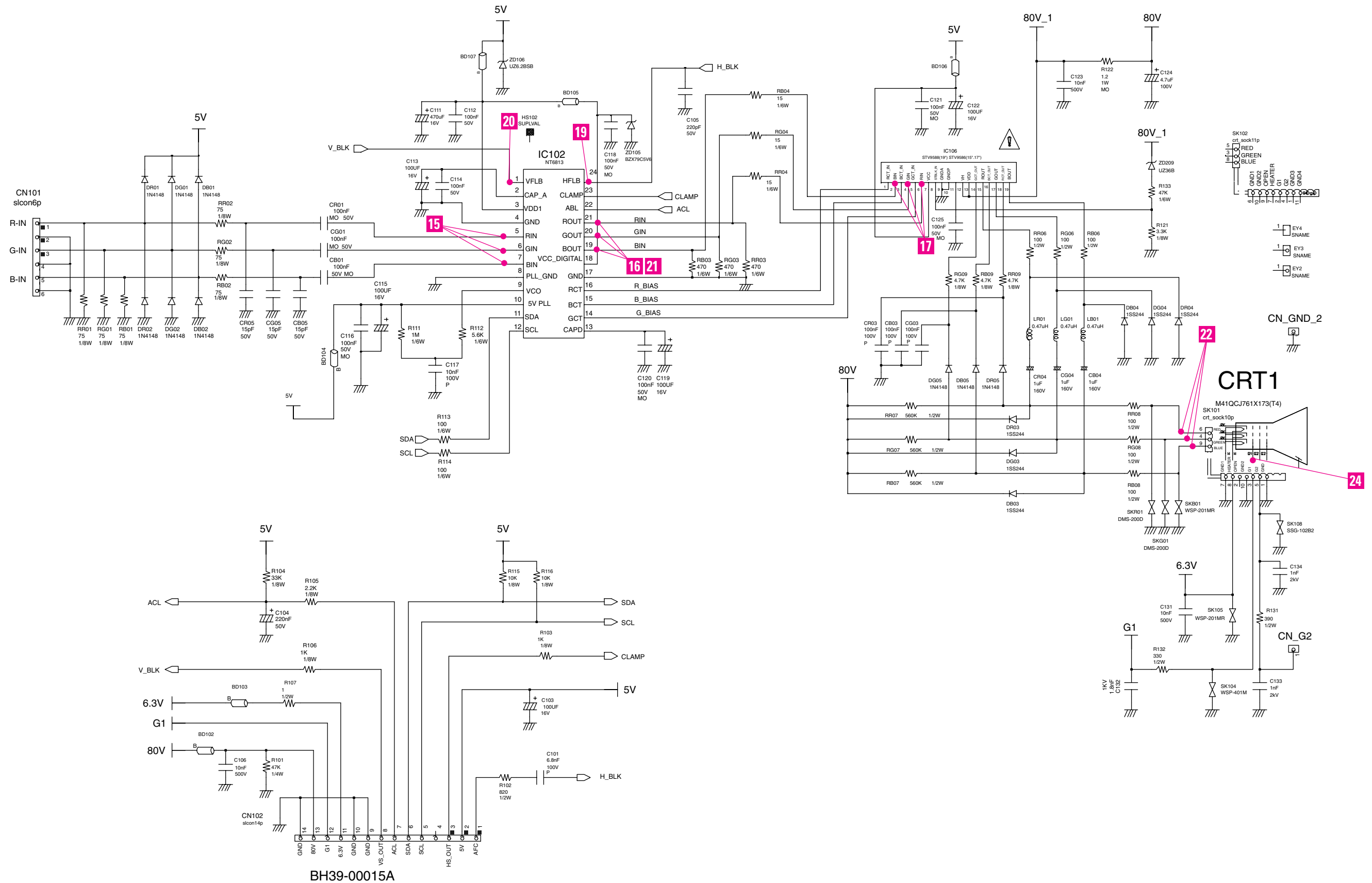
Memo

11 Schematic Diagrams

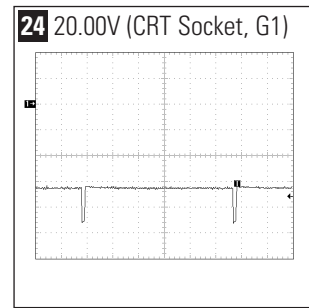
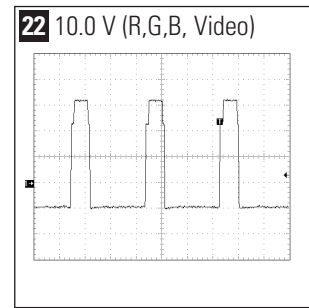
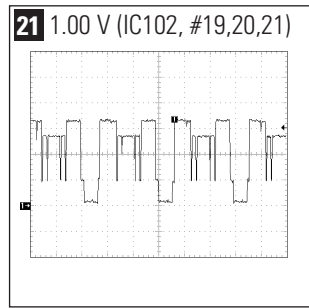
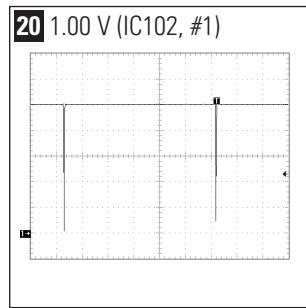
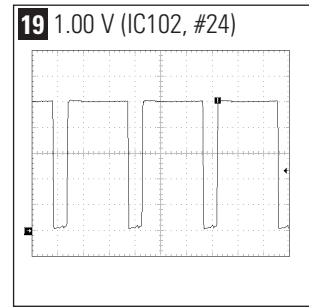
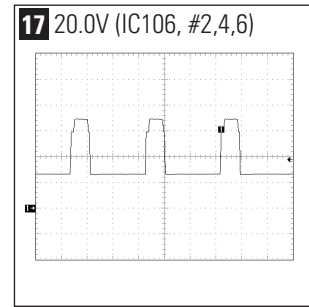
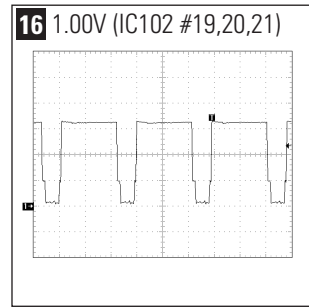
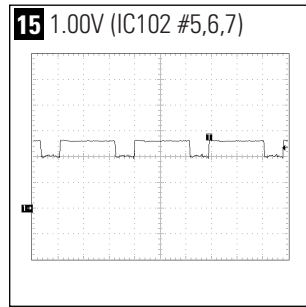


* This Document can not be used without Samsung's authorization.

11-2 LE15V* SN Video Schematic Diagram

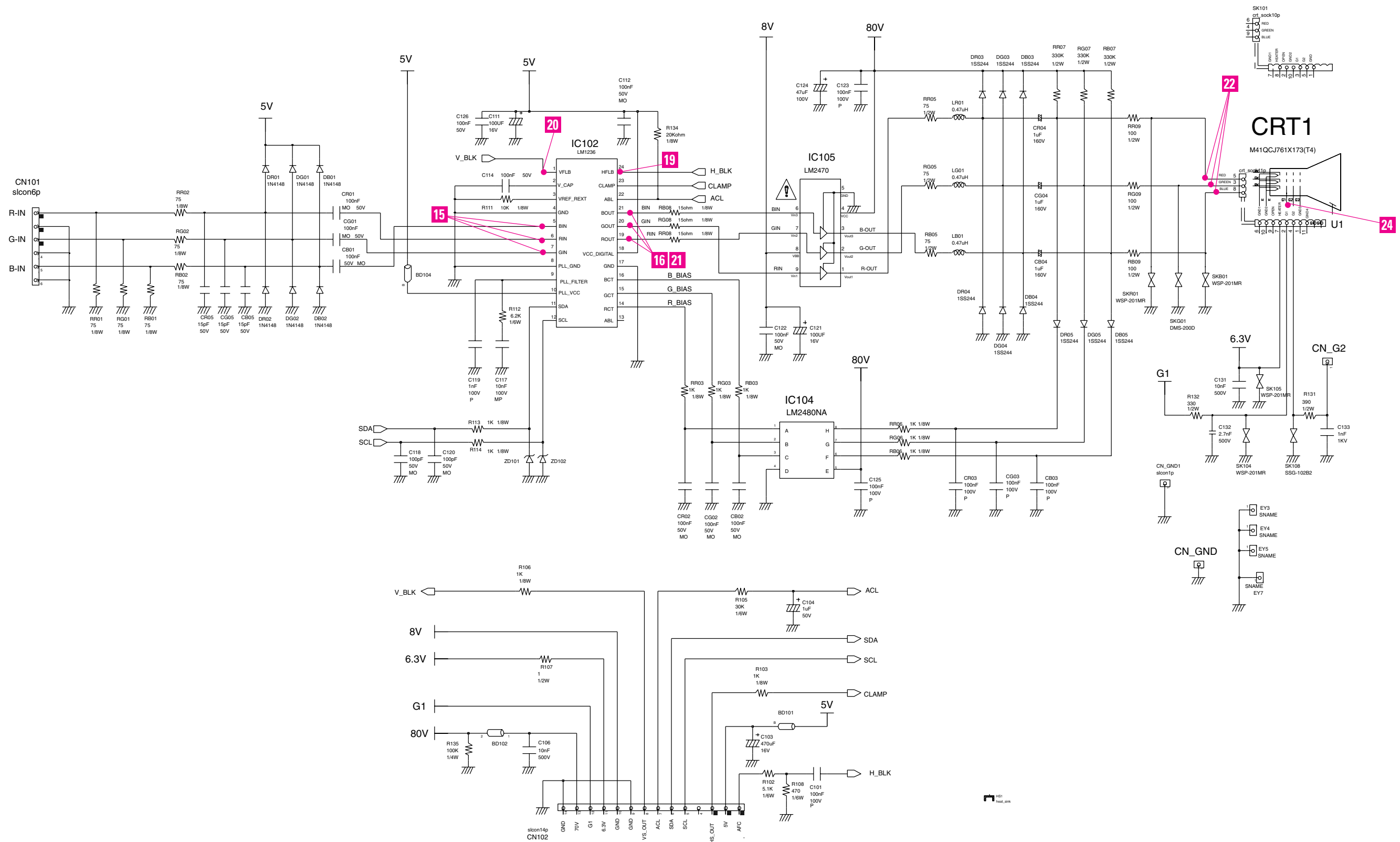


11 Schematic Diagrams

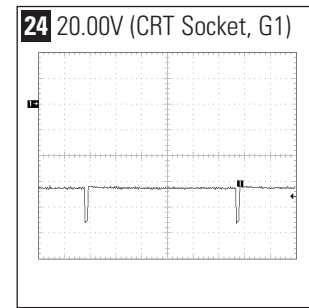
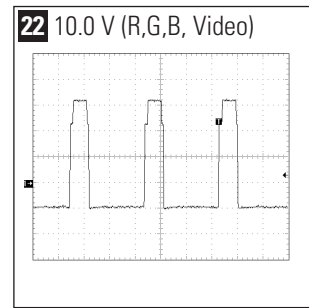
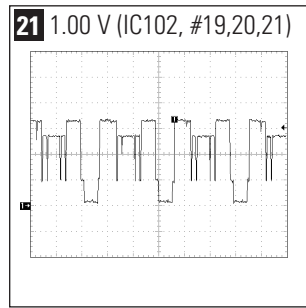
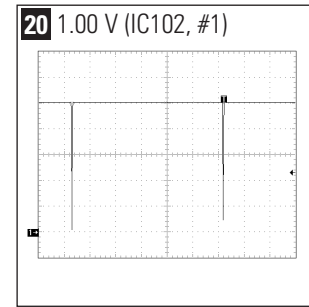
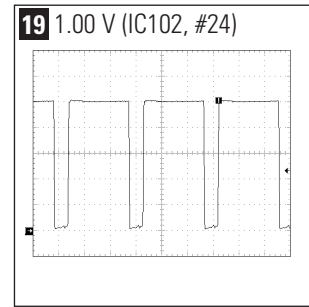
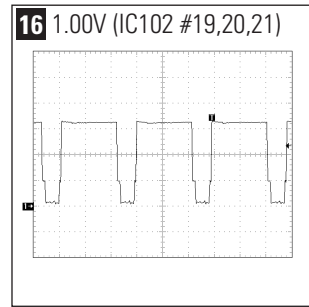
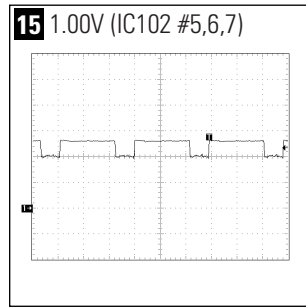


* This Document can not be used without Samsung's authorization.

11-3 LE15V* SZ Video Schematic Diagram

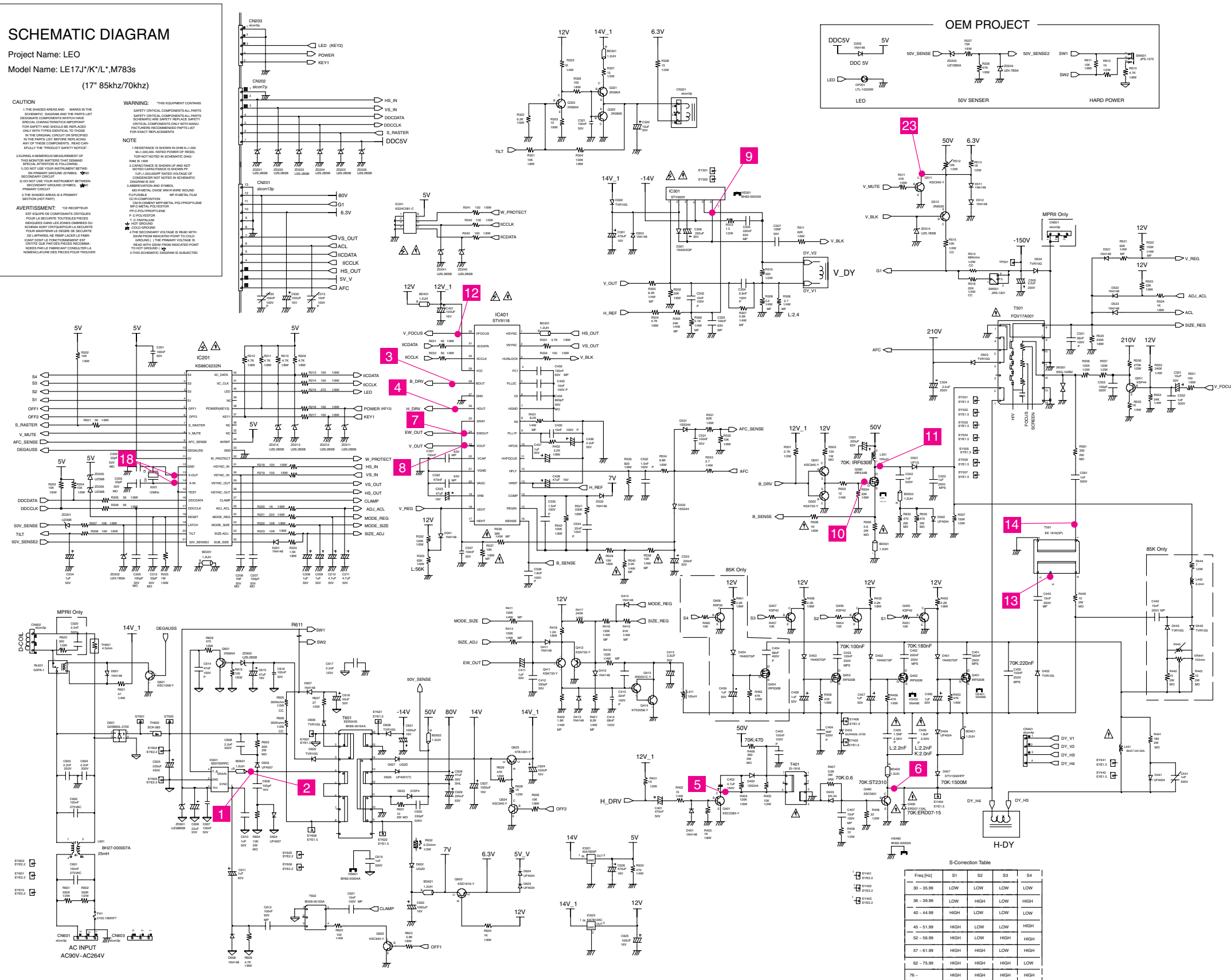


11 Schematic Diagrams

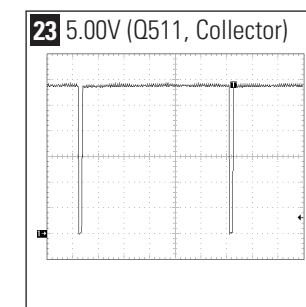
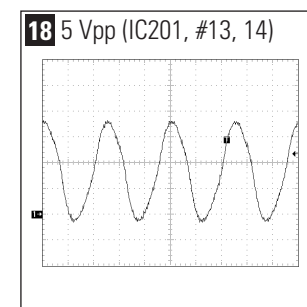
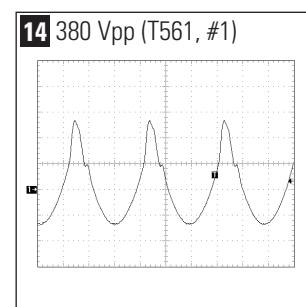
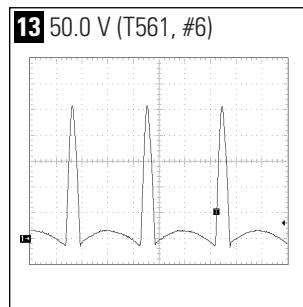
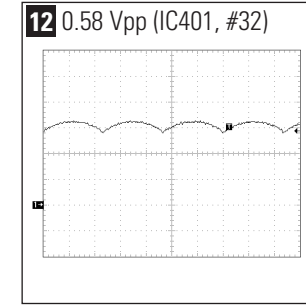
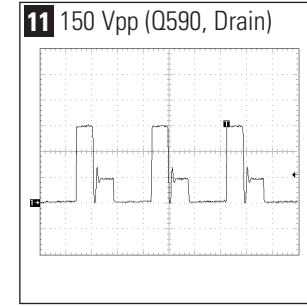
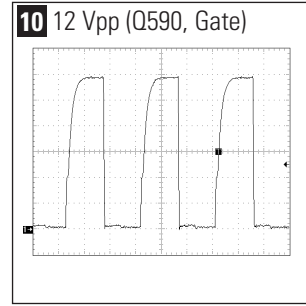
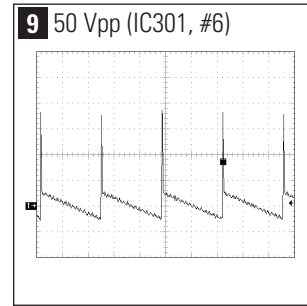
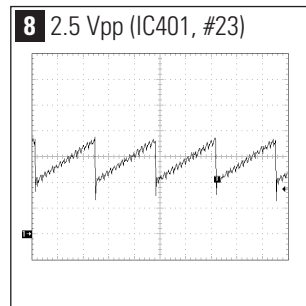
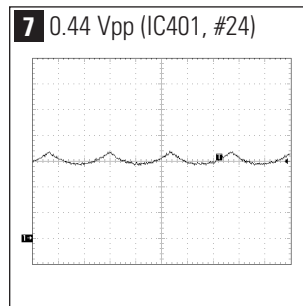
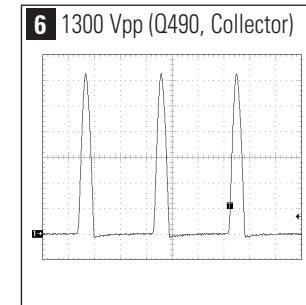
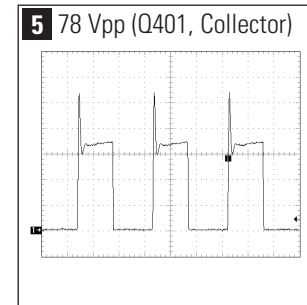
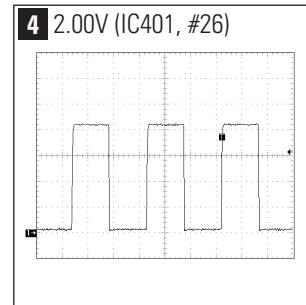
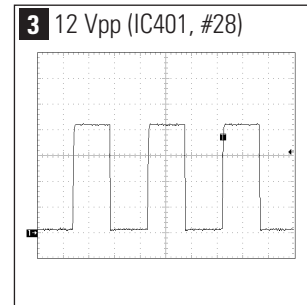
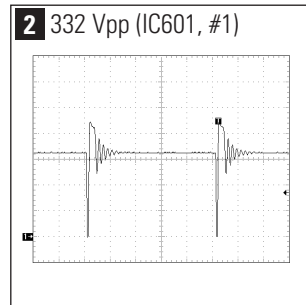
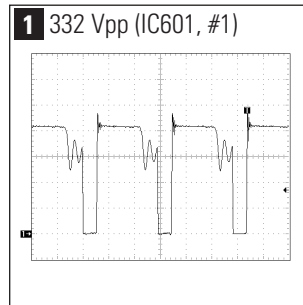


* This Document can not be used without Samsung's authorization.

11-4 LE17LS/LE17LT/LE17KS/LE17KT/LE17JS/LE17JT Main Schematic Diagram

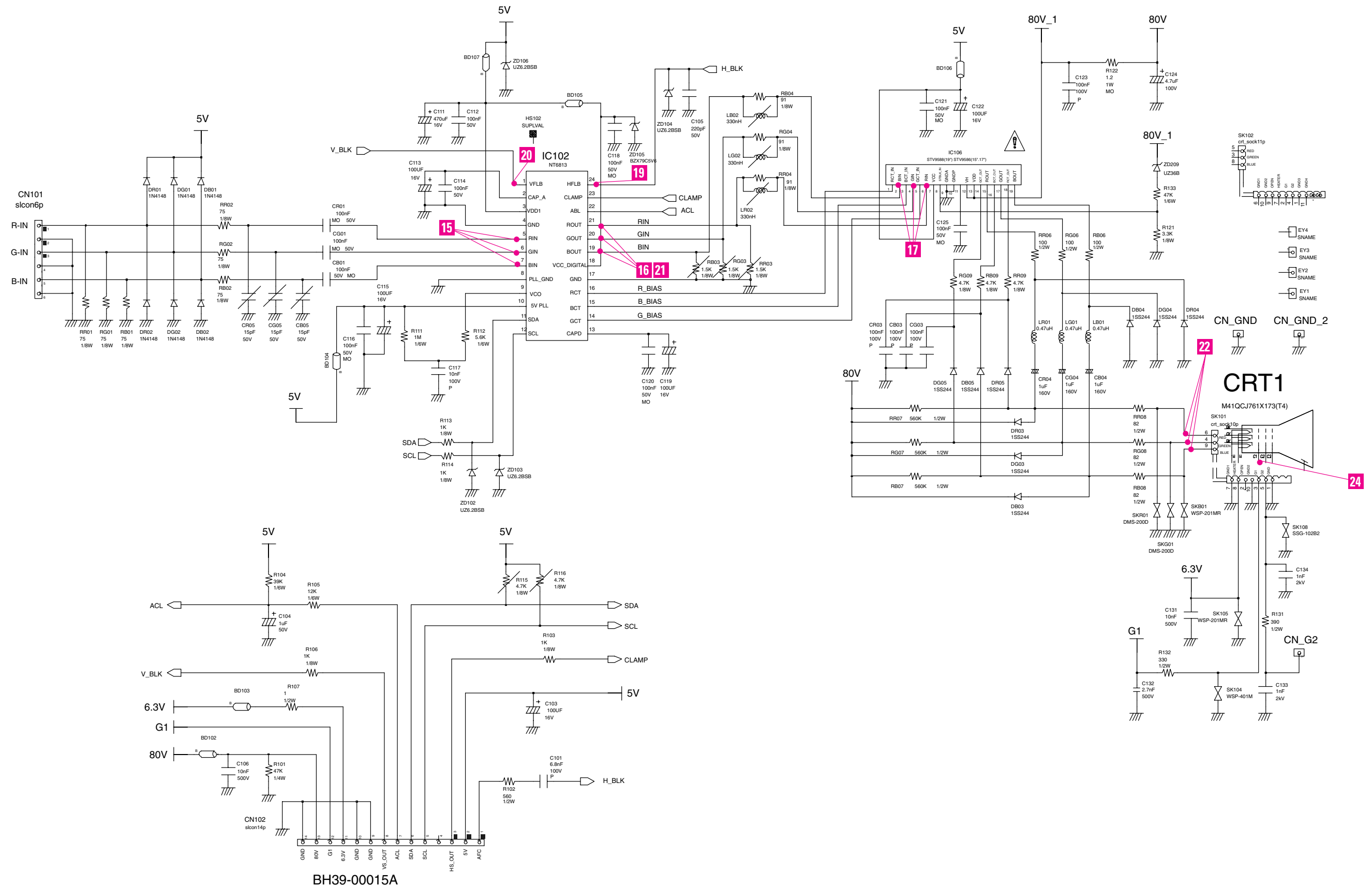


11 Schematic Diagrams

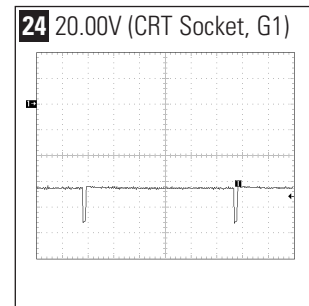
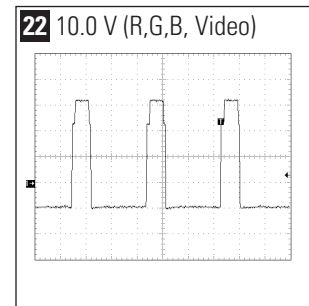
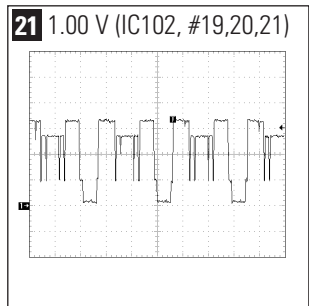
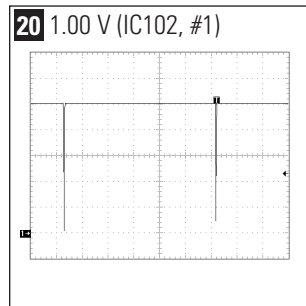
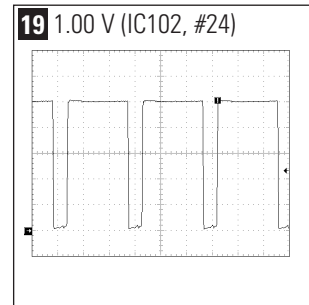
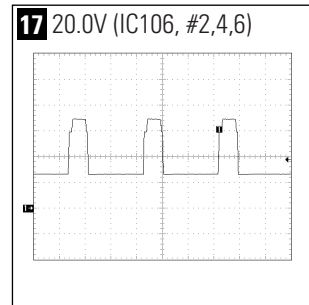
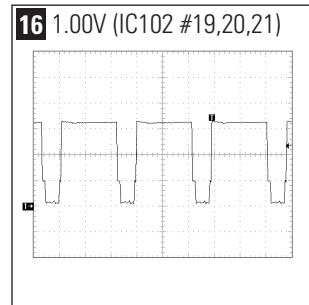
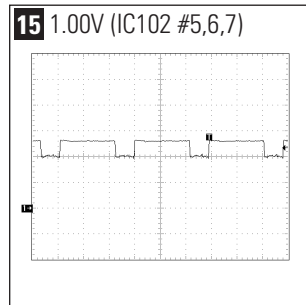


* This Document can not be used without Samsung's authorization.

11-5 LE17KS/LE17KT/LE17JS/LE17JT Video Schematic Diagram

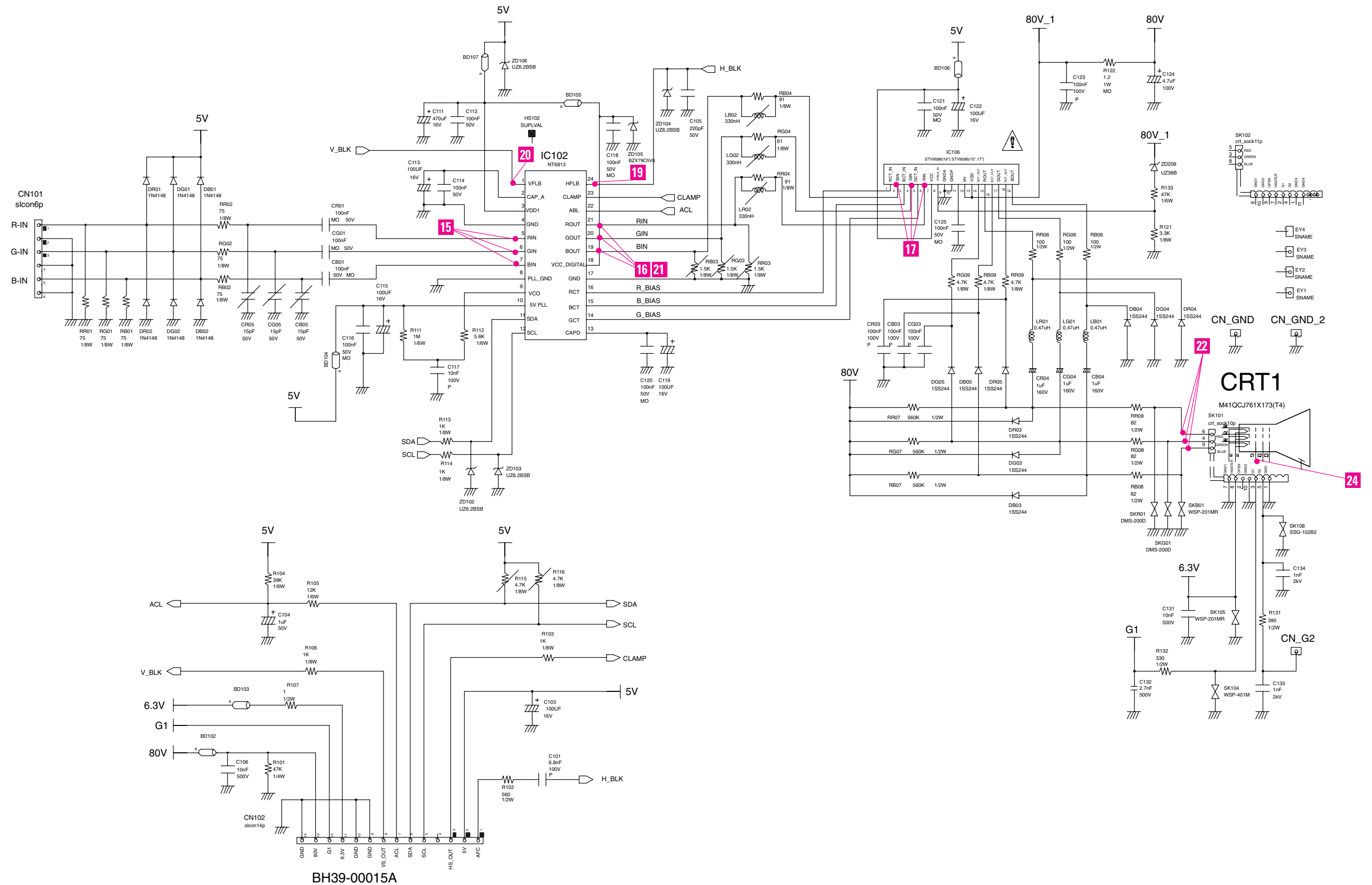


11 Schematic Diagrams



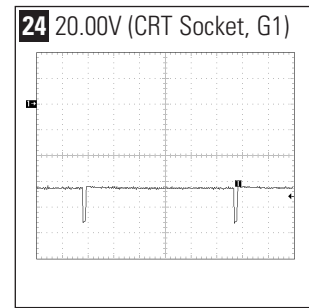
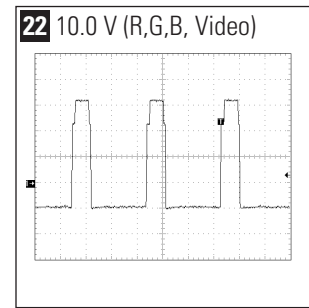
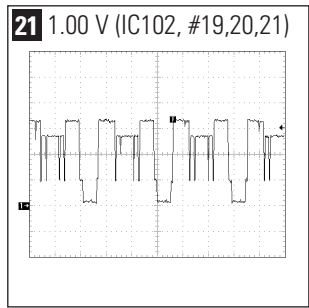
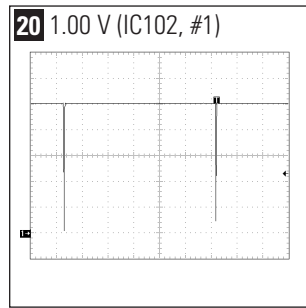
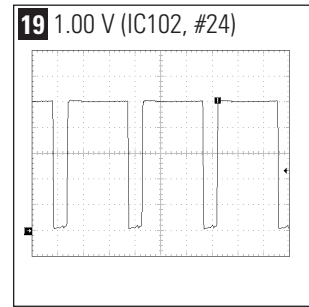
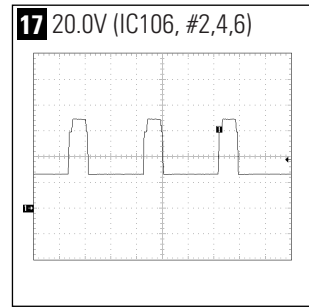
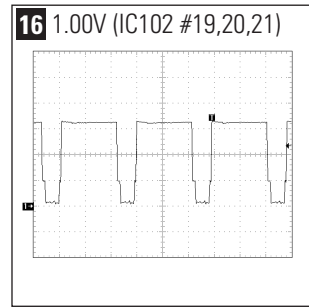
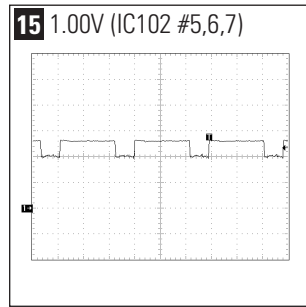
* This Document can not be used without Samsung's authorization.

11-6 LE17LS/LE17LT SN Video Schematic Diagram



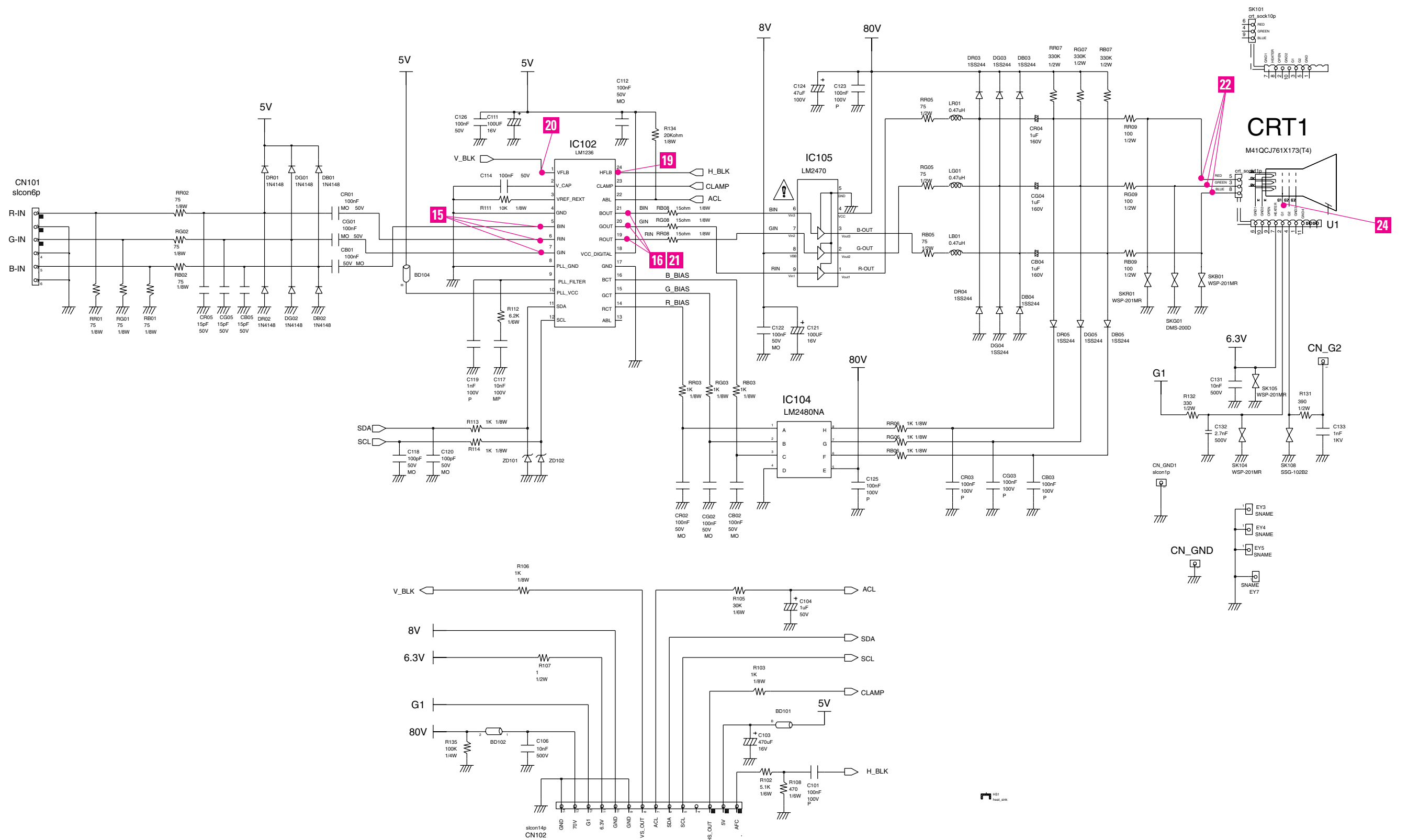
BH39-00015A

11 Schematic Diagrams



* This Document can not be used without Samsung's authorization.

11-7 LE17LS/LE17LT SZ Video Schematic Diagram



11 Schematic Diagrams

