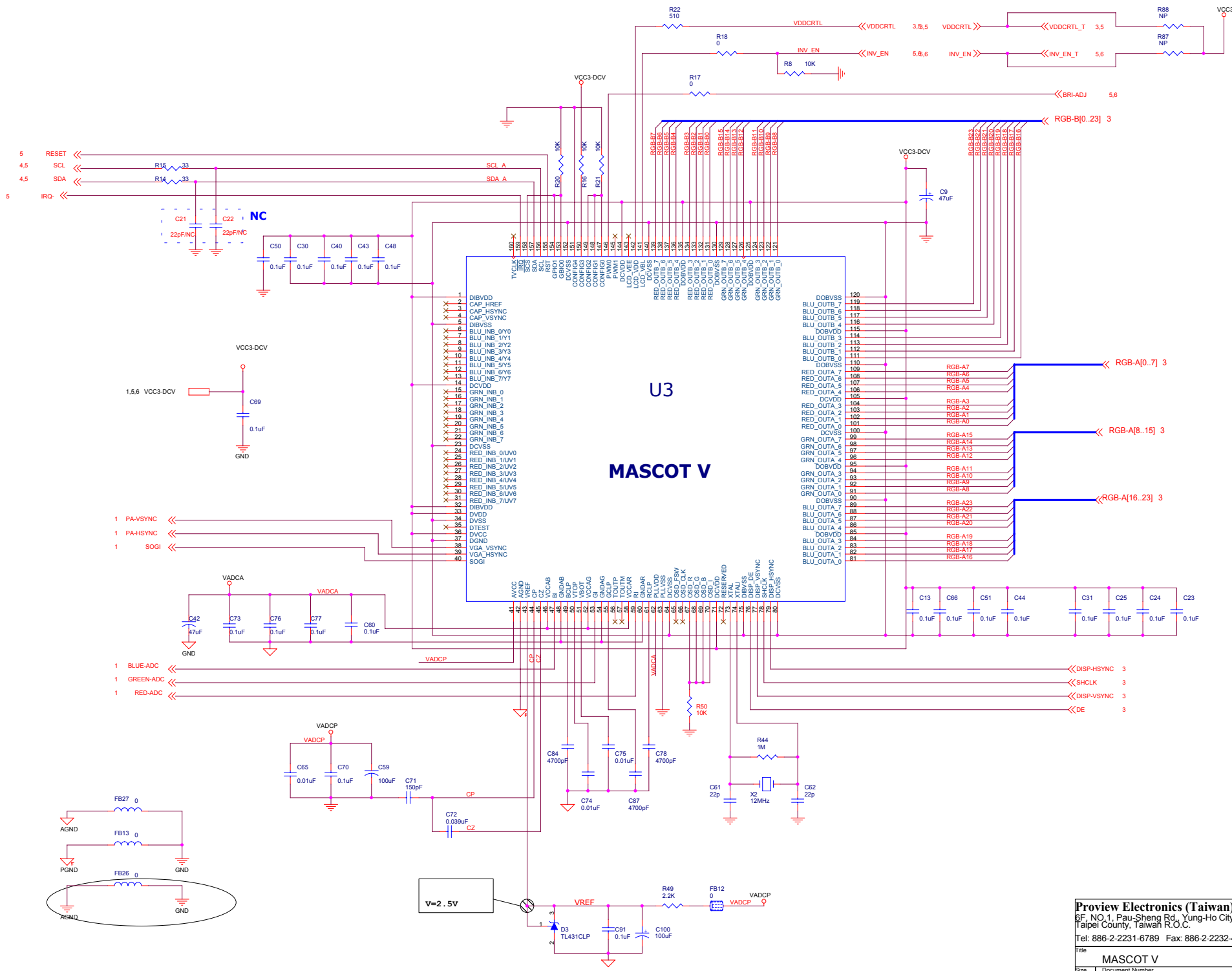


文字面
568C REV.S1
 2002-04-18

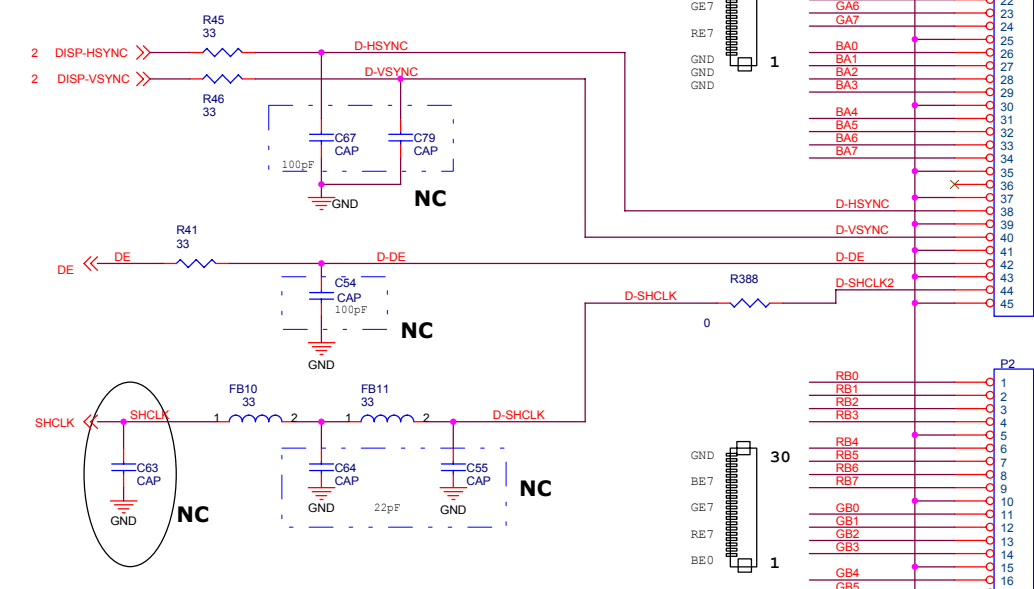
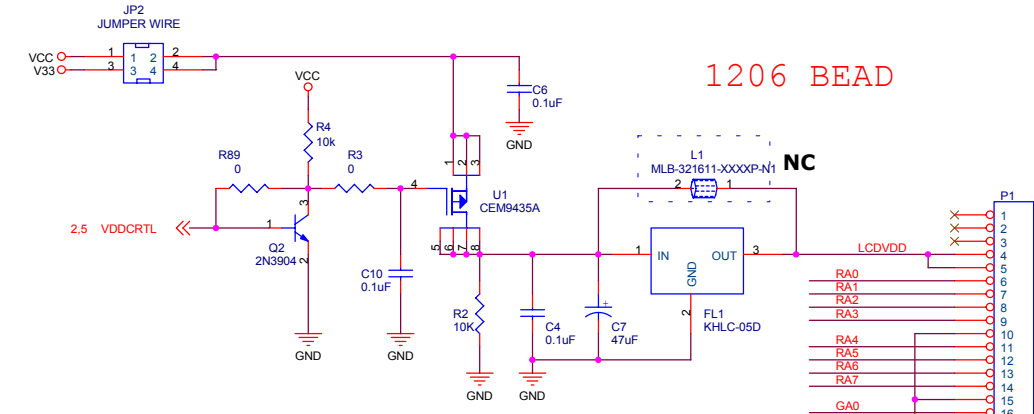
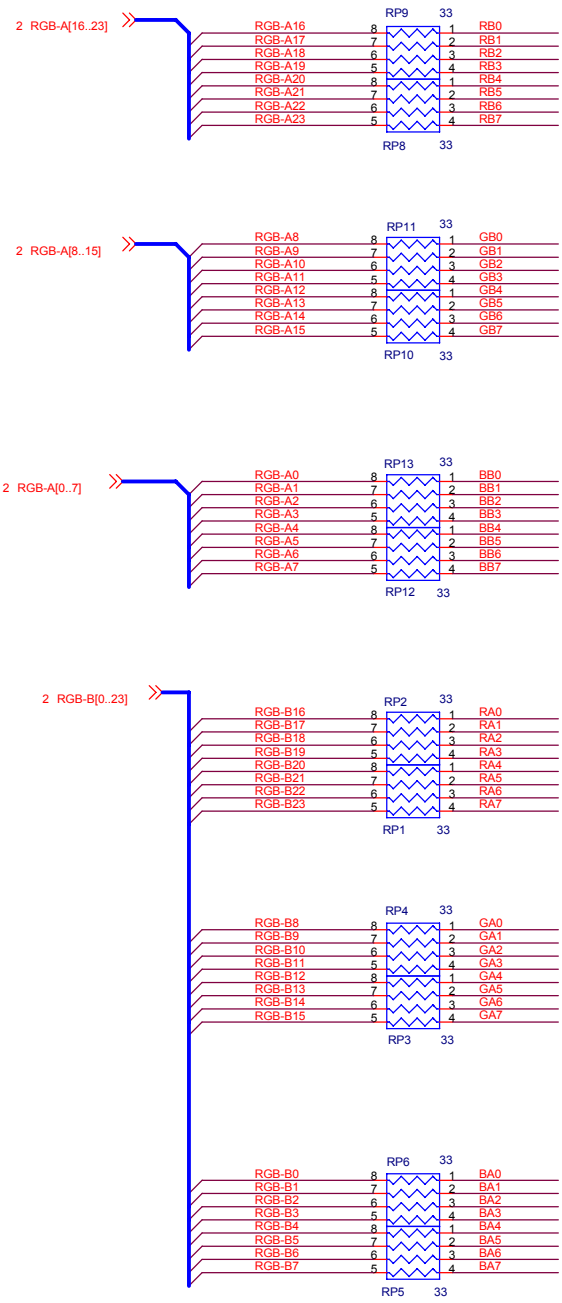
Proview Electronics (Taiwan) Co., LTD.		
6F, NO.1, Pau-Sheng Rd., Yung-Ho City, Taipei County, Taiwan R.O.C.		
Tel: 886-2-2231-6789 Fax: 886-2-2232-4613		
Title: VGA INPUT		
Size: Custom	Document Number: 568C-S1-0416	Rev: S1
Date: Friday, June 07, 2002	Sheet: 1	of 6



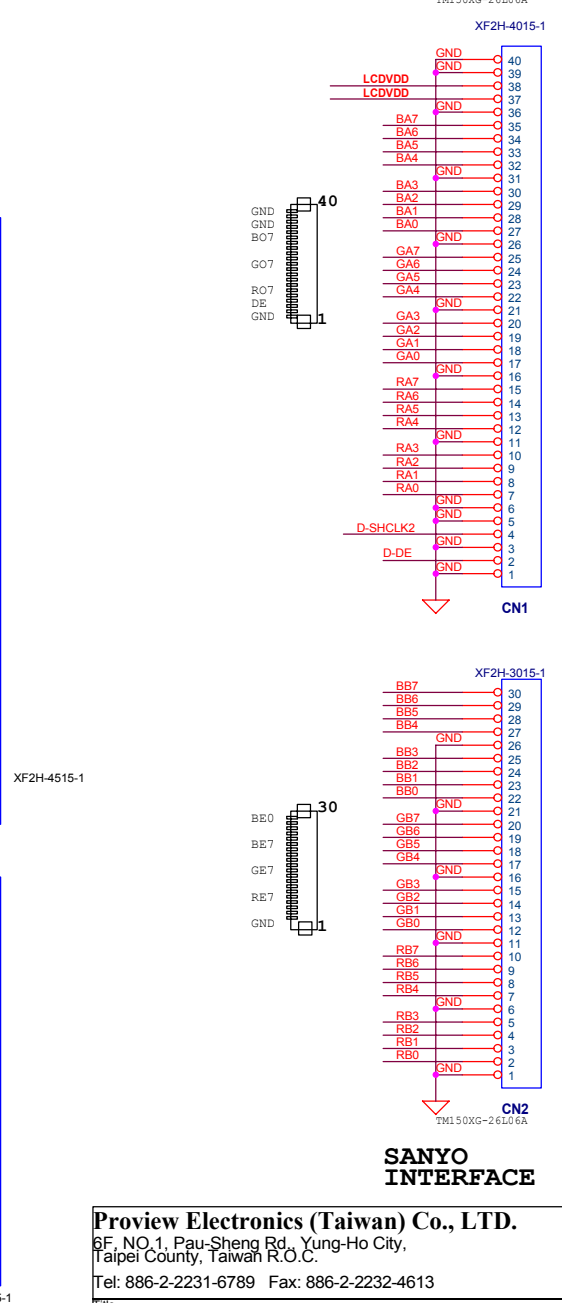
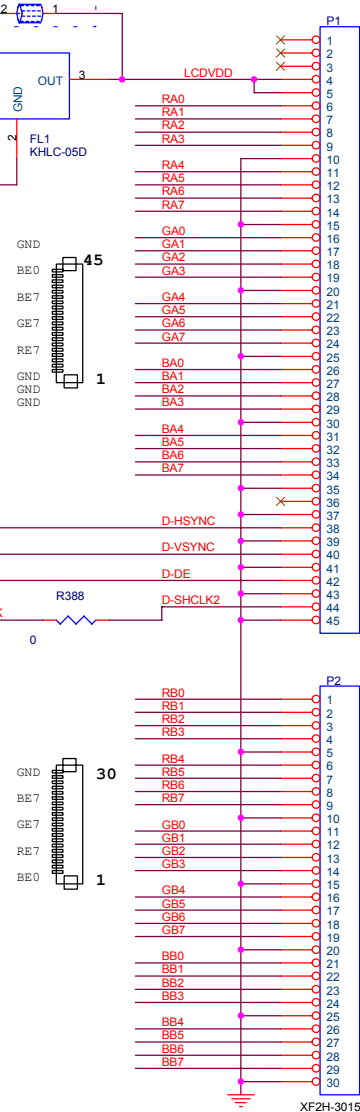
Proview Electronics (Taiwan) Co., LTD.
 6F, NO.1, Pau-Sheng Rd., Yung-Ho City,
 Taipei County, Taiwan R.O.C.
 Tel: 886-2-2231-6789 Fax: 886-2-2232-4613

File	MASCOT V	
Size	Document Number	Rev
Custom	568C-S1-0416	S1
Date:	Friday, June 07, 2002	Sheet 2 of 6

2.54mm HEADER



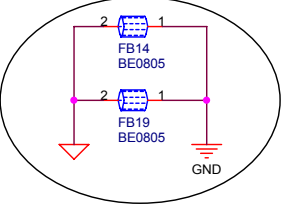
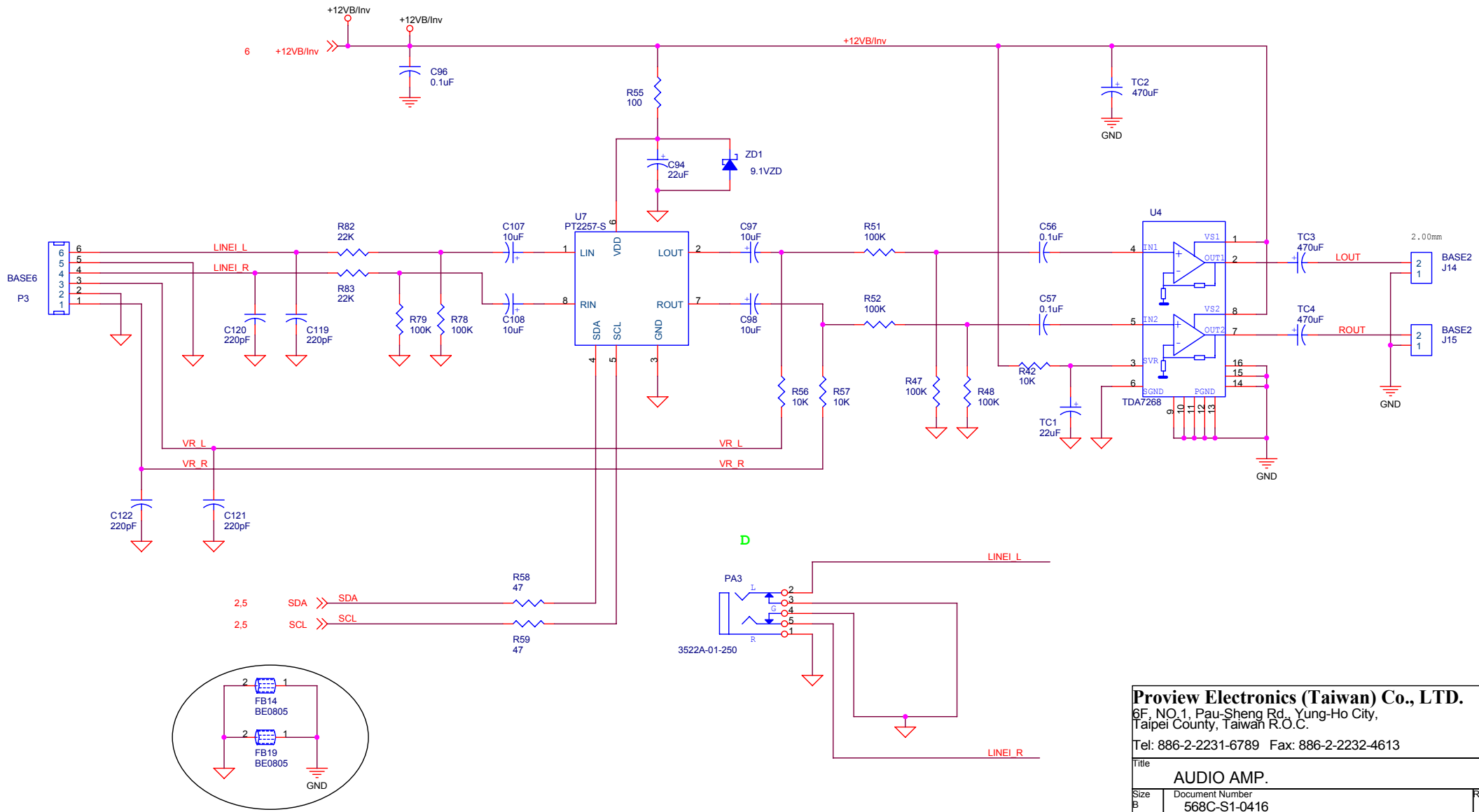
1206 BEAD



CPT INTERFACE

Proview Electronics (Taiwan) Co., LTD.
 6F, NO.1, Pau-Sheng Rd., Yung-Ho City,
 Taipei County, Taiwan R.O.C.
 Tel: 886-2-2231-6789 Fax: 886-2-2232-4613

Title		OUTPUT	
Size	Document Number	568C-S1-0416	
Custom			Rev S1
Date:	Friday, June 07, 2002	Sheet	3 of 6

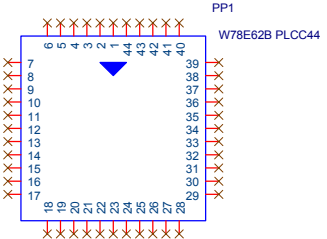
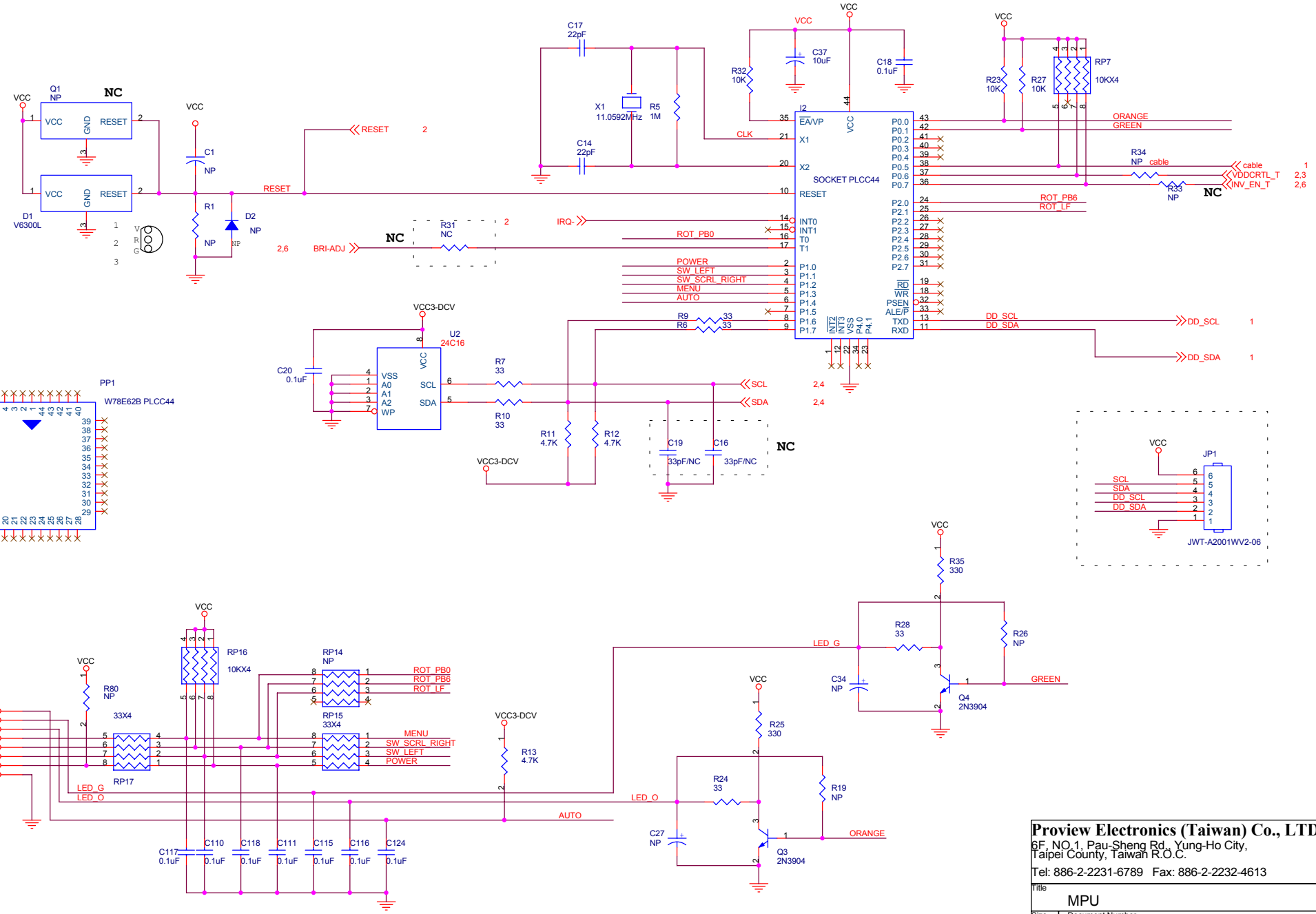


Proview Electronics (Taiwan) Co., LTD.
 6F, NO.1, Pau-Sheng Rd., Yung-Ho City,
 Taipei County, Taiwan R.O.C.
 Tel: 886-2-2231-6789 Fax: 886-2-2232-4613

Title: **AUDIO AMP.**

Size: B	Document Number: 568C-S1-0416	Rev: S1
---------	-------------------------------	---------

Date: Friday, June 07, 2002 Sheet 4 of 6

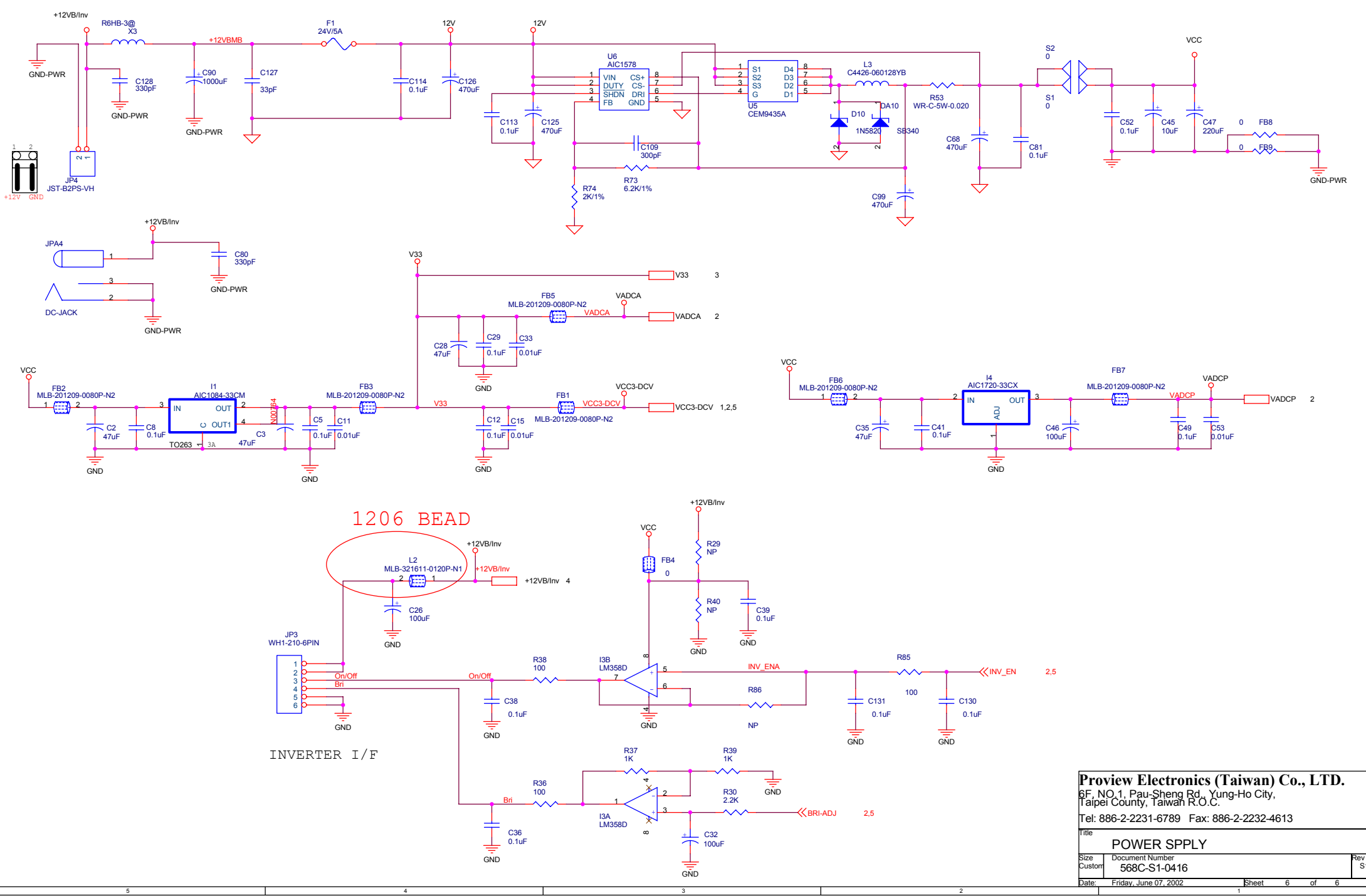


1.	POWER
2.	LED O
3.	LED G
4.	DOWN-
5.	UP
6.	MENU
7.	AUTO
8.	GND

PROVIEW KEY PAD --OK

Proview Electronics (Taiwan) Co., LTD.
 6F, NO.1, Pau-Sheng Rd., Yung-Ho City,
 Taipei County, Taiwan R.O.C.
 Tel: 886-2-2231-6789 Fax: 886-2-2232-4613

Title		MPU	
Size	Document Number	568C-S1-0416	
Custom			
Date:	Friday, June 07, 2002	Sheet	5 of 6
			Rev S1



Proview Electronics (Taiwan) Co., LTD.
 6F, NO.1, Pau-Sheng Rd., Yung-Ho City,
 Taipei County, Taiwan R.O.C.
 Tel: 886-2-2231-6789 Fax: 886-2-2232-4613

Title POWER SUPPLY		
Size Custom	Document Number 568C-S1-0416	Rev S1
Date Friday, June 07, 2002	Sheet 6	of 6