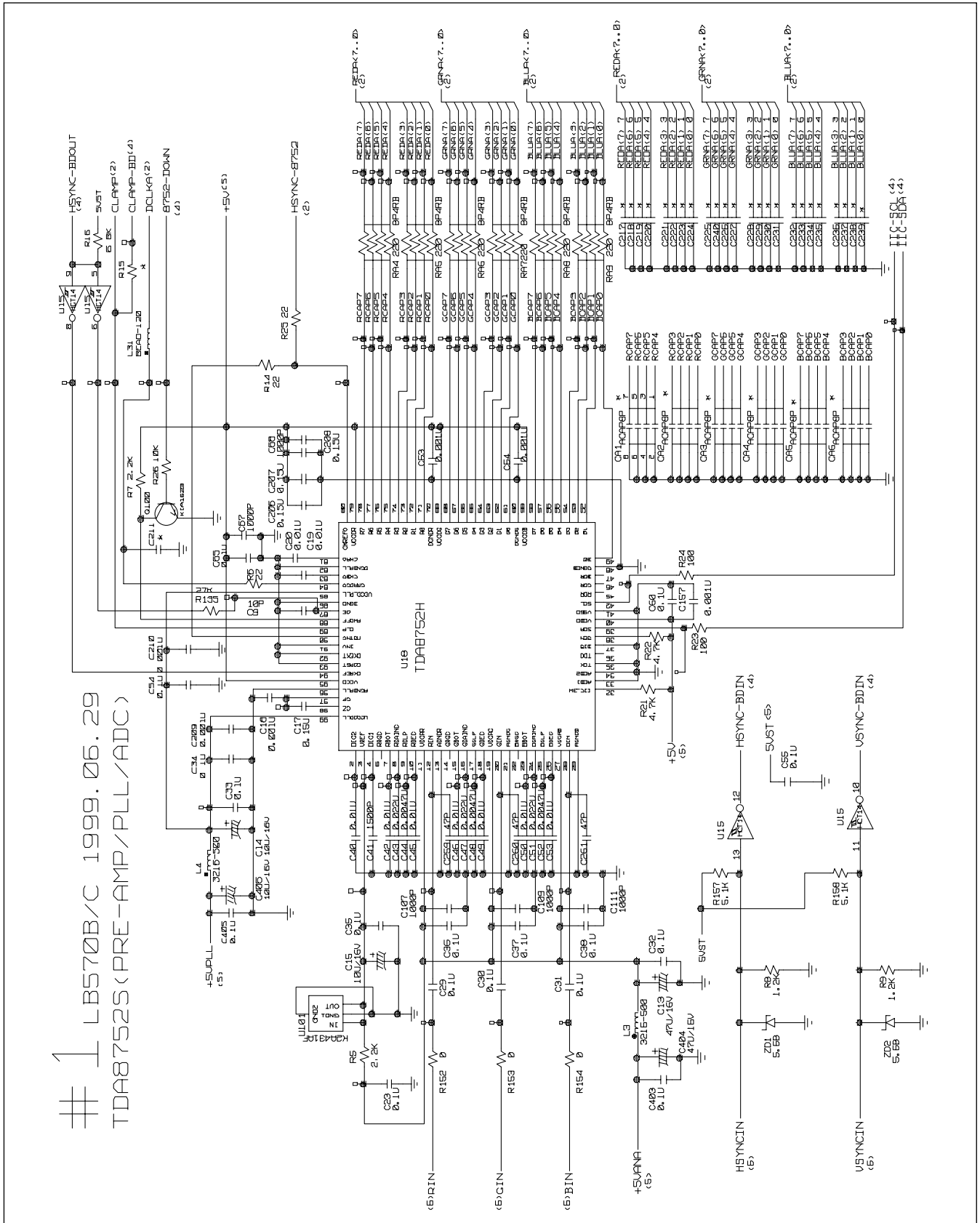


SCHEMATIC DIAGRAM

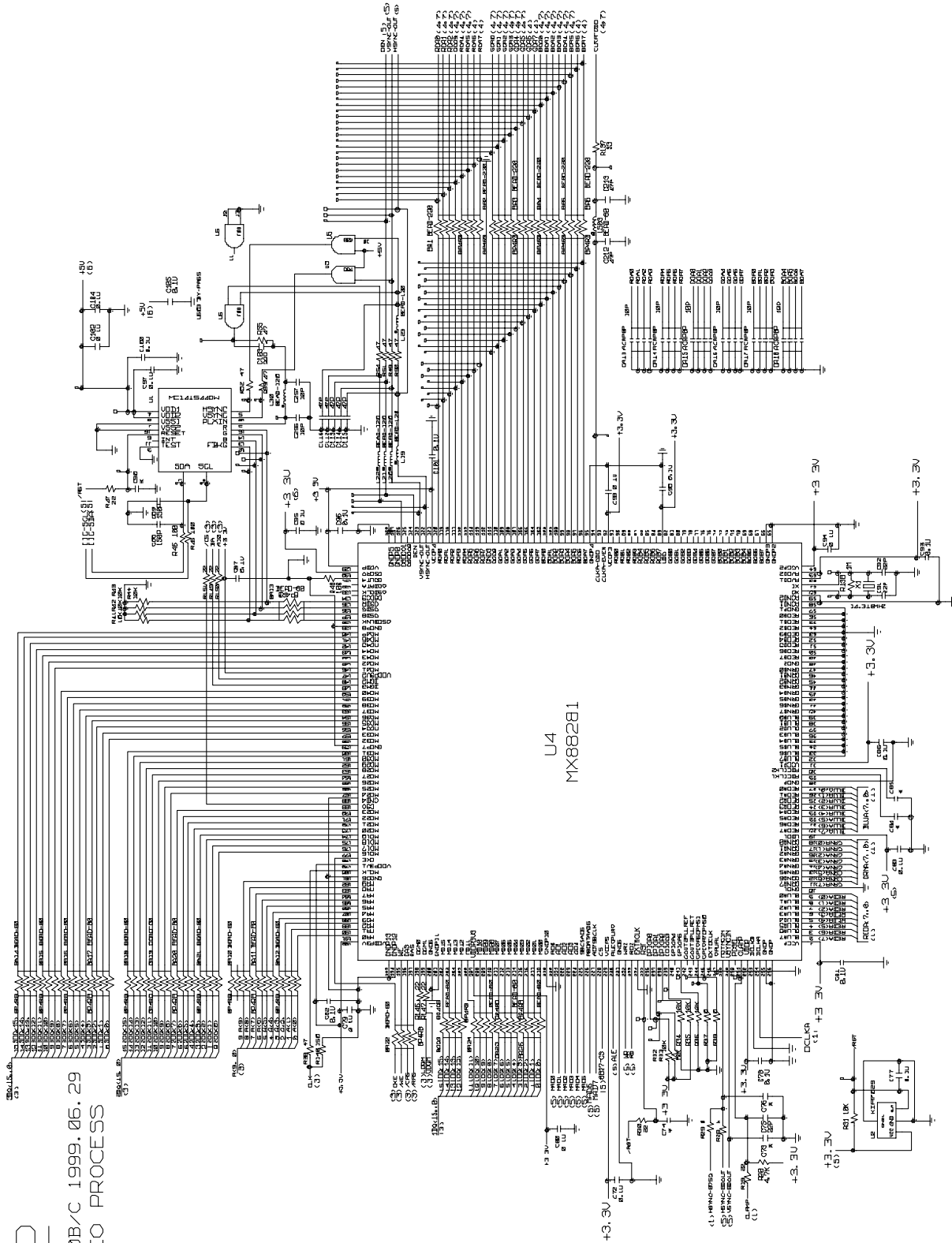
1. TDA8752S (PRE-AMP/PLL/ADC)



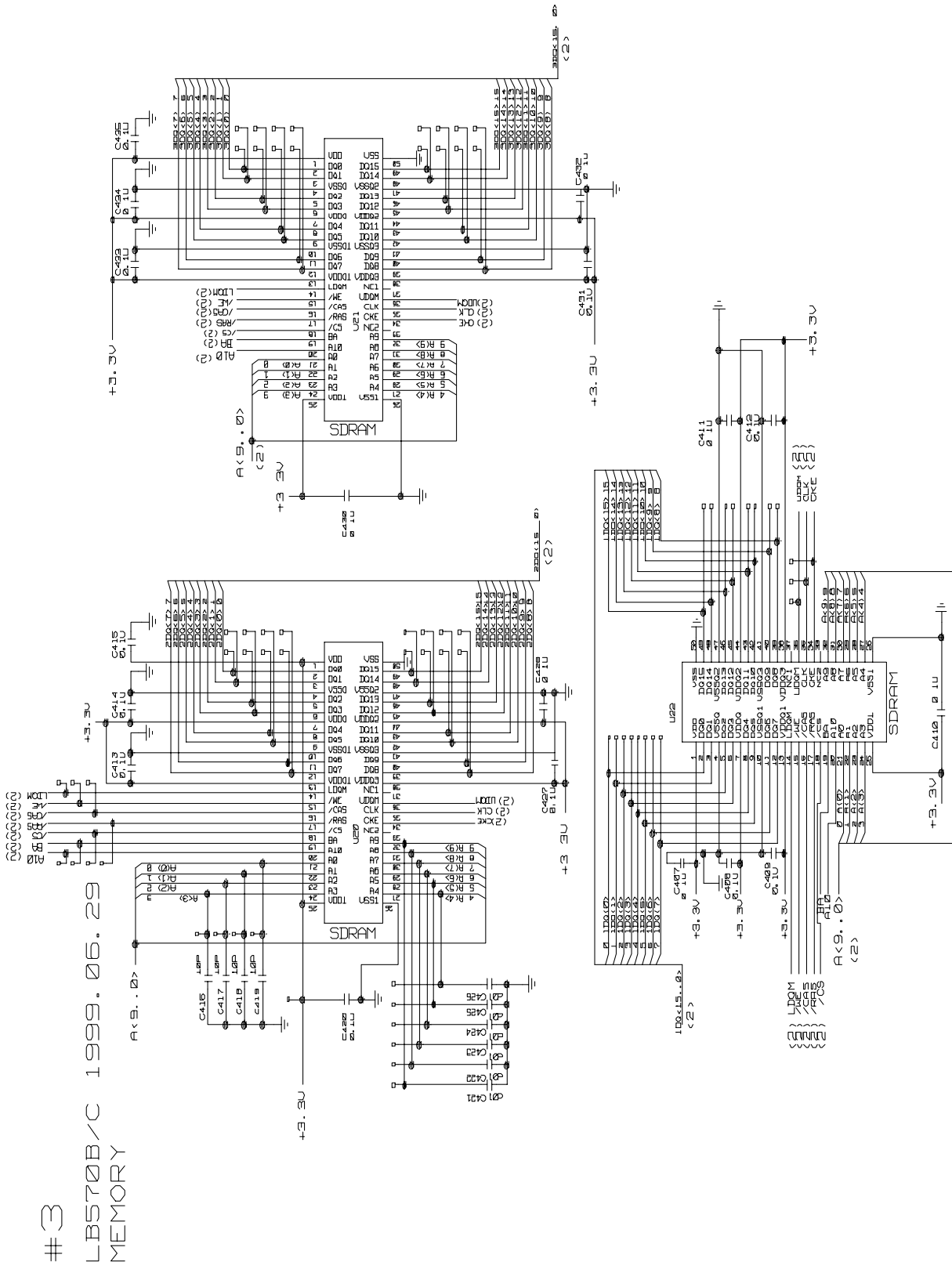
2. VIDEO PROCESS

#2

LB570B/C 1999.06.29
VIDEO PROCESS

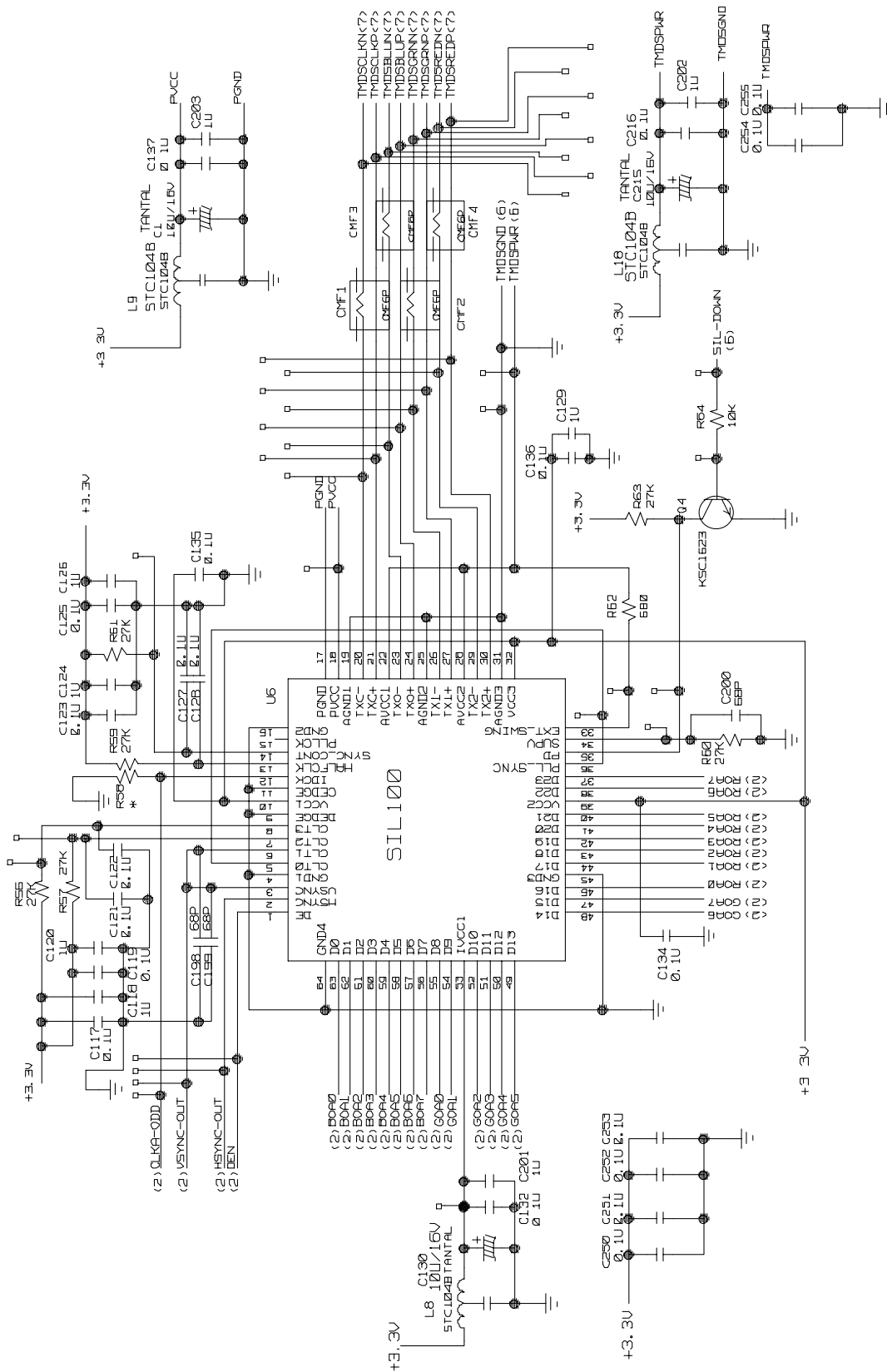


3. MEMORY



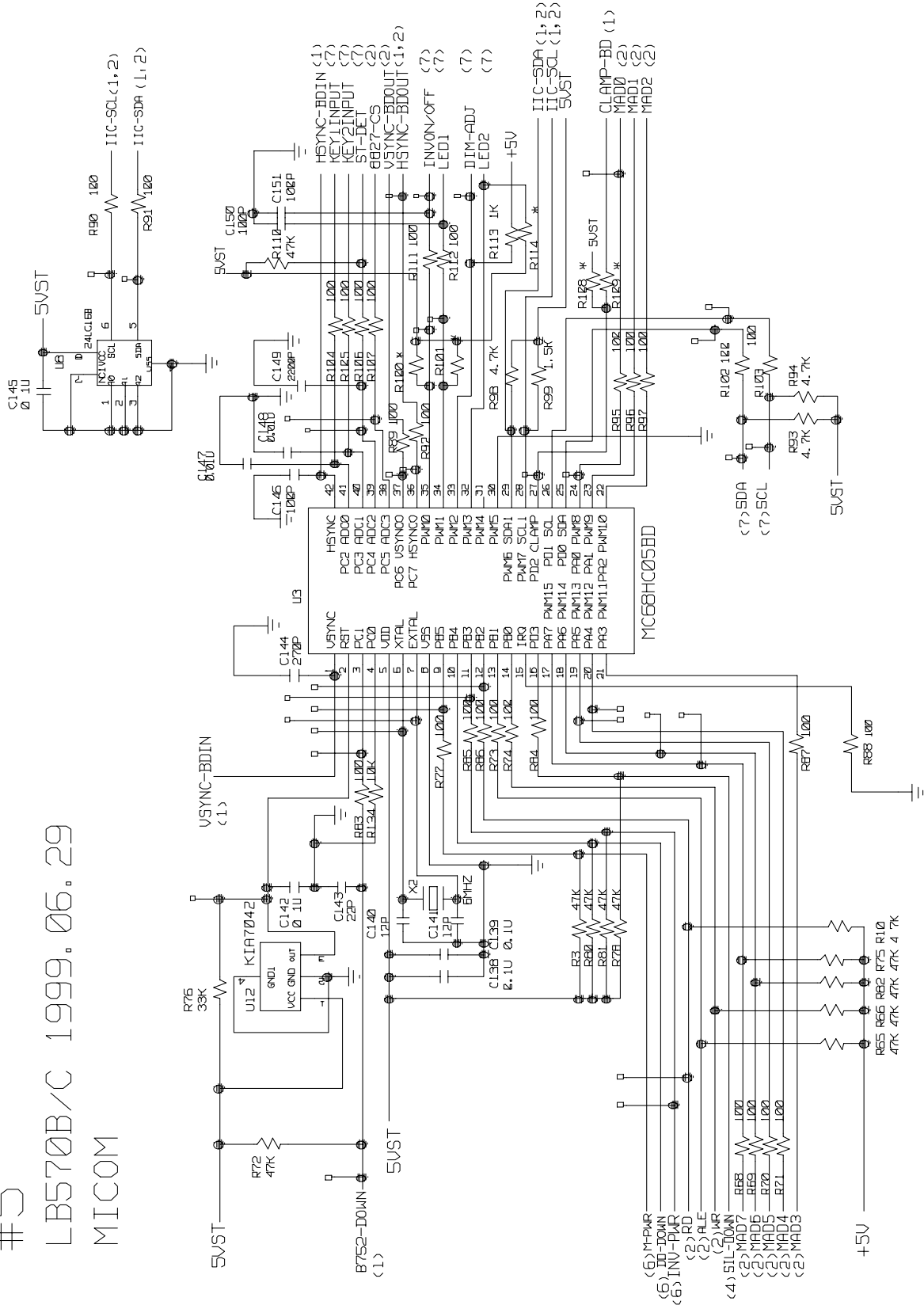
4. PANEL-LINK (FOR 8BIT)

#4
LB570B/C 1999.06.29
PANEL-LINK (FOR 8BIT)



5. MICOM

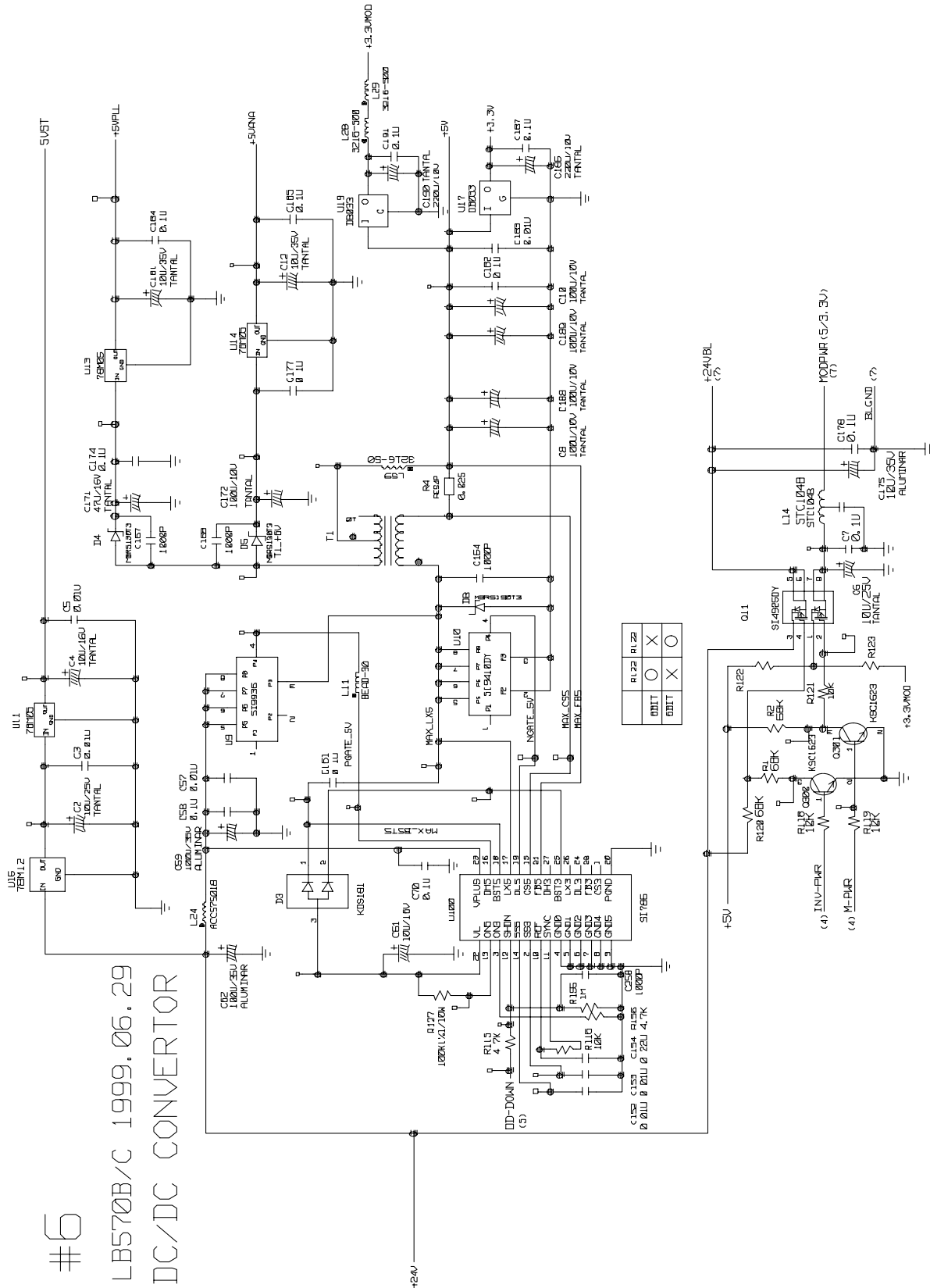
#5
LB570B/C 1999.06.29
MICOM



6. DC/DC CONVERTOR

#6

LB570B/C 1999.06.29
DC/DC CONVERTOR



7. CONNECTOR & JACKS

#7 LB570B/C 1999.06.29 CONNECTOR & JACKS

