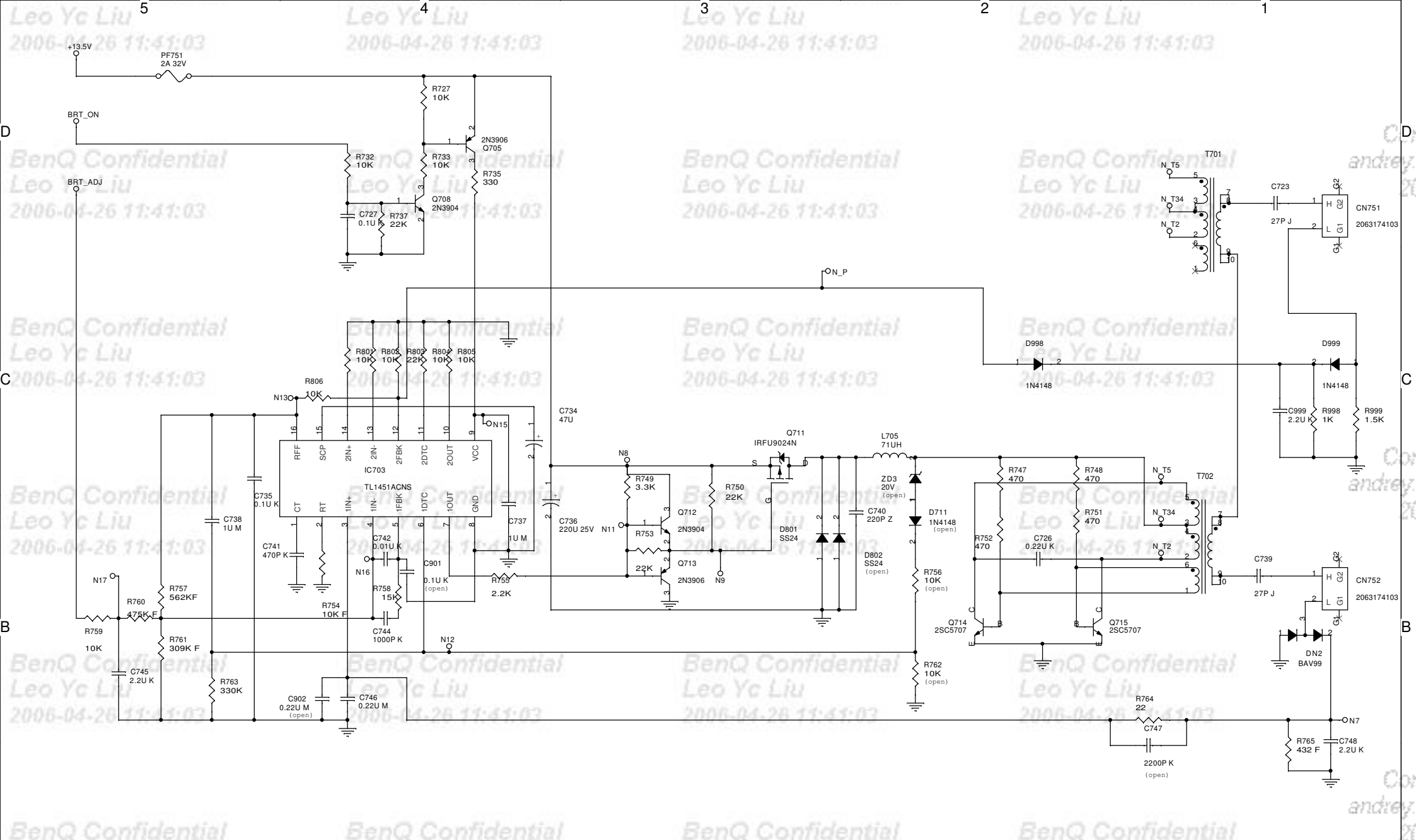
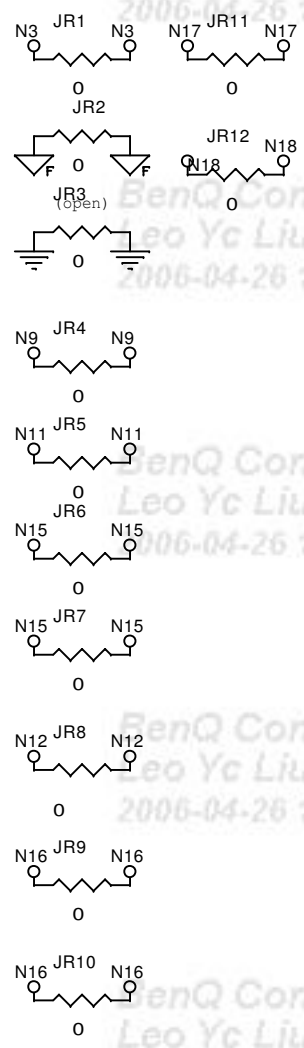
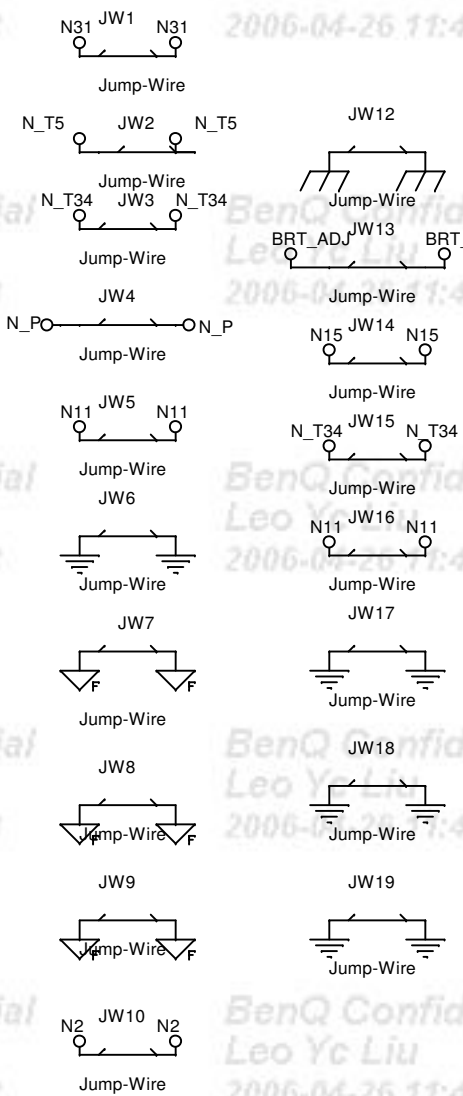


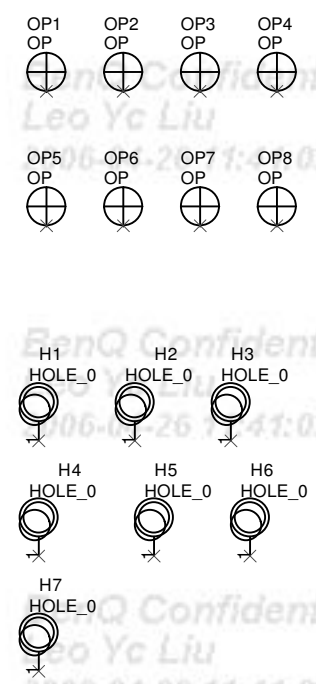
BenQ Corporation				
Project Code	Model Name	OEM/ODM Model Name		
99.L1K72.001	Q5T4	<OEM/ODM>		
Title: POWER BOARD				
Size	PCB P/N	PCB Rev.	Document Number	Rev.
<Size>	48.L1K02.S05	S05	99.L1K72.000-C3-304-001	2
Date:	Friday, April 08, 2005	Sheet	1	of 3
Prepared By		Reviewed By	Approved By	
ANGEL HU		CK HUANG	H.J. WONG	



BenQ Corporation				
Project Code	Model Name	OEM/ODM Model Name		
99.L1K72.001	Q5T4	<OEM/ODM>		
Title: POWER BOARD				
Size	PCB P/N	PCB Rev.	Document Number	Rev.
<Size>	48.L1K02.S05	S05	99.L1K72.000-C3-304-001	2
Date:	Friday, April 08, 2005	Sheet	2	of 3
Prepared By	Reviewed By	Approved By		
ANGEL HU	CK HUANG	H.J. WONG		



Optical Points



BenQ Corporation				
Project Code 99.L1K72.001		Model Name Q5T4		OEM/ODM Model Name <OEM/ODM>
Title POWER BOARD				
Size <Size>	PCB P/N 48.L1K02.S05	PCB Rev. S05	Document Number 99.L1K72.000-C3-304-001	Rev. 2
Date: Friday, April 08, 2005			Sheet 3	of 3
Prepared By ANGEL HU		Reviewed By CK HUANG		Approved By H.J. WONG