

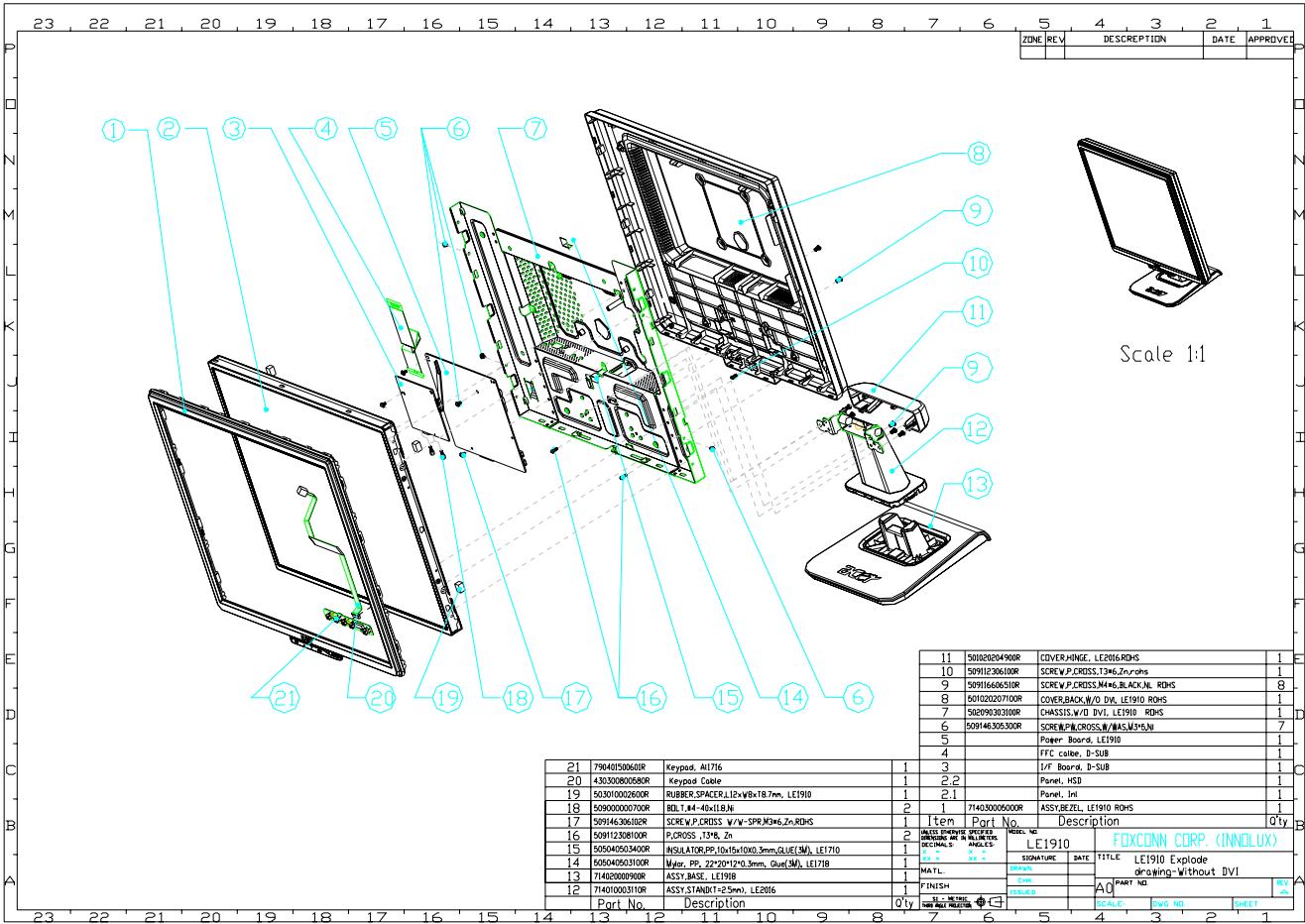
## FRU (Field Replaceable Unit) LIST

This chapter gives you the FRU (Field Replaceable Unit) listing in global configuration of AL1916. Refer to this chapter whenever ordering for parts to repair or for RMA (Return Merchandise Authorization).

**NOTE:** Please not WHEN ORDER FRU PARTS, that you should check the most up-to-date information available on your regional web or channel (<http://aicsl.acer.com.tw/spl/>). For whatever reasons a part number change is made, it will not be noted in the printed Service Guide. You **MUST** use the local FRU list provided by your regional Acer office to order FRU parts for repair and service of customer machines.

Note: To scrap or to return the defective parts. You should follow the local government ordinance or regulations on how best to dispose it, or follow the rules set by your regional Acer office on how to return it.

# Exploded Diagram



Part No.	Description	Q'ty
21	79040100600P Keypad, A1716	1
20	43200000500R Keypad Cable	1
19	50301000200R RUBBER SPACER,1.12x4.98x18.7mm, LE1910	2
18	50900000700R BOLT,4-46x1.816	2
17	509146306102R SCREW,P,CROSS W/V-SPR,M3x6,Zn-RHSH	1
16	508112308100R P,CROSS ,1.316, Zn	2
15	505040503400R INSULATOR,PP,10x15x10X0.3mm,Glue(SM), LE1710	1
14	505040503100R Mylar, PP, 22*20*12*0.3mm, Glue(SM), LE1718	1
13	71402000900R ASSY.BASE, LE1918	1
12	714010003110R ASSY.STAND(T=2.5mm), LE2016	1

Item	Part No.	Description	Q'ty
11	501020204900R	COVER.HINGE, LE2016.RHSH	1
10	509112306100R	SCREW,P,CROSS,1.316,Zn-RHSH	1
9	509166006100R	SCREW,P,CROSS,M4x6,BLACK,NL RHSH	8
8	501020207100R	COVER.BACK.W/O DVI, LE1910 RHSH	1
7	508090303000R	CHASSIS,W/O DVI, LE1910 RHSH	1
6	509146305300R	SCREW,P,CROSS,W/MAS,M3x5,NL	7
5		Power Board, LE1910	1
4		FFC cable, D-SUB	1
3		D/F Board, D-SUB	1
2		Panel, HSD	1
1		Panel, Int	1
		ASSY.BEZEL, LE1910 RHSH	1

Scale 1:1

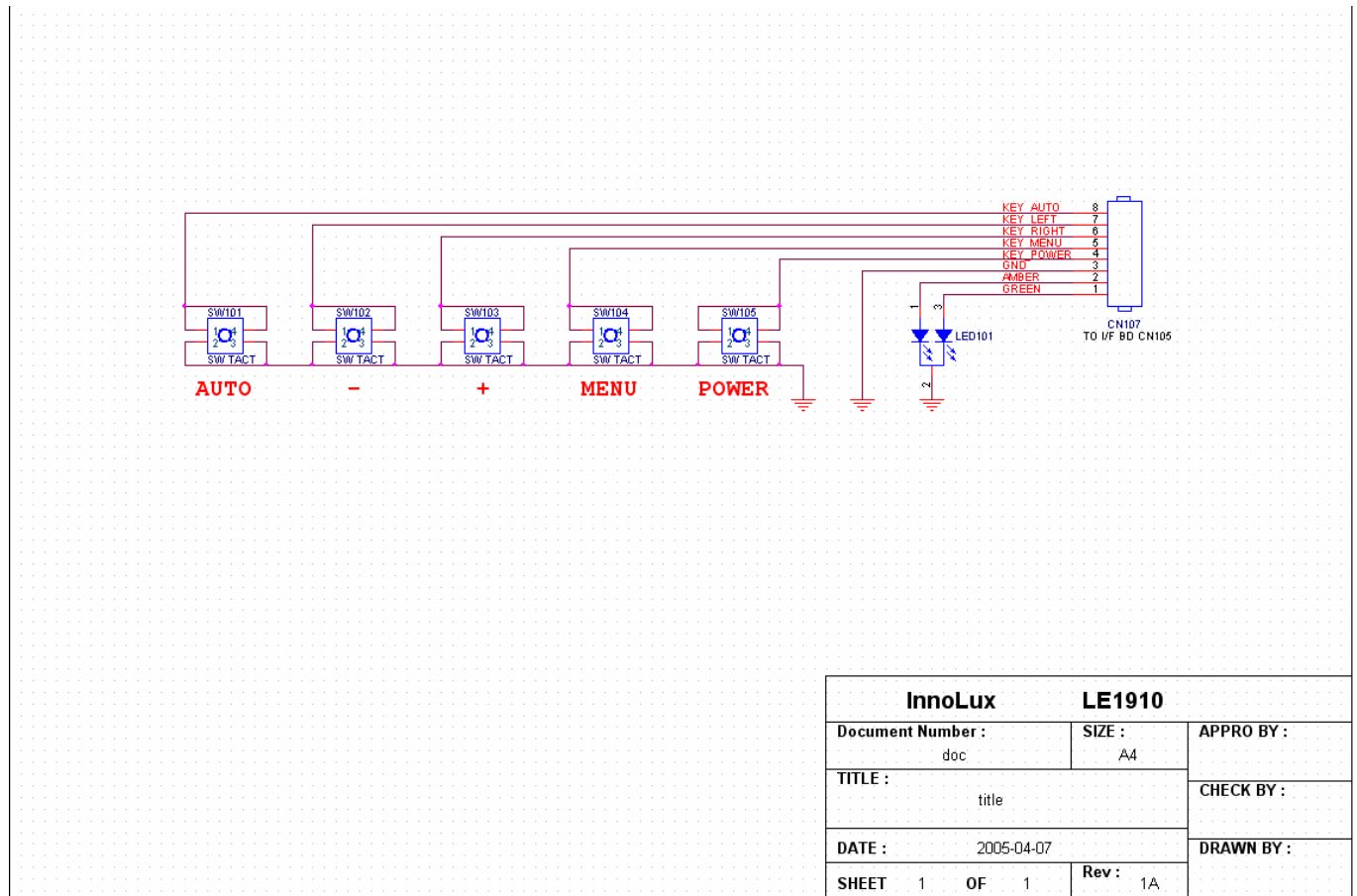
## PART LIST

CATEGORY	PARTNAME	DESCRIPTION
CASE/COVER/BRACKET ASSEMBLY	HRN ASS'Y 8P 240mm UL2561#28, RoHS	HRN ASS'Y 8P 240mm UL2561#28, RoHS
Cable	HRN LVDS FFC 30P 200mm, RoHS	HRN LVDS FFC 30P 200mm, RoHS
Cable	VGA cable black	CABLE, D-SUB 15P MALE 6FT BLACK, SZ4120955
Cable	Euro power cord black	PWR CORD 16A/250V BLK 6FT VDE, H05VV-F 3G
Cable	UK power cord black	PWRCORD 6A/250V BLK 6FT UK
Cable	Swiss power cord black	PWRCORD 6A/250V BLK 6FT SWISS
CASE/COVER/BRACKET ASSEMBLY	COVER, HINGE	COVER, HINGE, LE2016
CASE/COVER/BRACKET ASSEMBLY	COVER, BACK	COVER, BACK, LE1910
CASE/COVER/BRACKET ASSEMBLY	BASE	BASE, LE1918
CASE/COVER/BRACKET ASSEMBLY	STAND, LE1710	STAND, LE1918
CASE/COVER/BRACKET ASSEMBLY	BRACKET, FINGER	BRACKET, FINGER, LE1710
CASE/COVER/BRACKET ASSEMBLY	HINGE, LE2016	HINGE, LE2016
CASE/COVER/BRACKET ASSEMBLY	CHASSIS (main metal part)	CHASSIS, LE1910

screw	BOLT,#4-40x11.8,NiFOR D-SUB/DVI CONN.	BOLT,#4-40x11.8,NiFOR D-SUB/DVI CONN.
screw	SCREW,P,CROSS,M4*10,Zn,NL(NYLOK)	<b>SCREW,PW,CROSS,W/WAS,M3*5,NI</b>
screw	SCREW,P,CROSS,M4*18,Zn	SCREW,P,CROSS W/W-SPR,M3*6,Zn,ROHS
screw	SCREW,P,CROSS,M4*6,BLACK,NL ROHS (NYLOK)	SCREW,P,CROSS,M4*6,BLACK,NL ROHS (NYLOK)
screw	<b>SCREW,P,CROSS,T.T-3*8,Zn ROHS REV:A</b>	<b>SCREW,P,CROSS,T.T-3*8,Zn ROHS REV:A</b>
screw	SCREW,P,CROSS,T.T-3*6,Zn	SCREW,P,CROSS,T.T-3*6,Zn
screw	SCREW,P,CROSS,T.T-4*6,Zn	SCREW,P,CROSS,T.T-4*6,Zn
Board	main board	PCBA,IF BOARD(EMEA),LE1910-6G0
Board	power + invertor board	<b>PCBA,PWR&amp;INV./B, LE1910-6H2</b>
PANEL	LCD PANEL 19" MT190EN02-V0-G1/2/3,AM19000030	LCD PANEL 19" MT190EN02-V0-G1/2/3,AM19000030
Board	Key pad	PCBA,KEYPAD BOARD+ Bezel

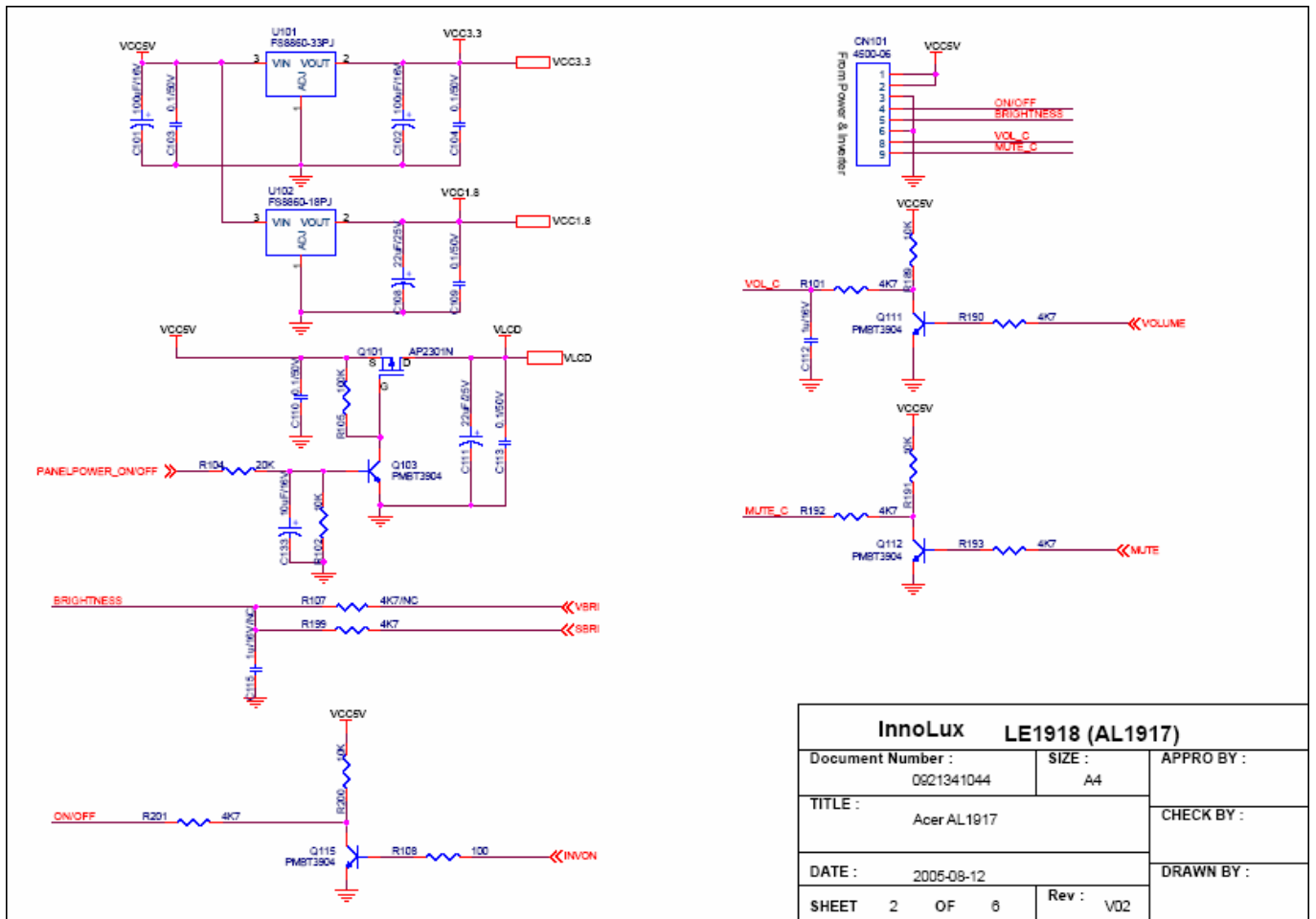
# SHEMATIC DIAGRAM

## Keypad Diagram

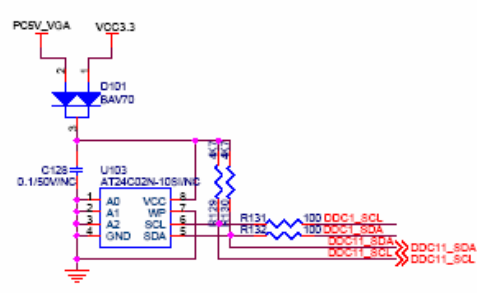
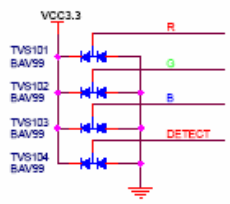
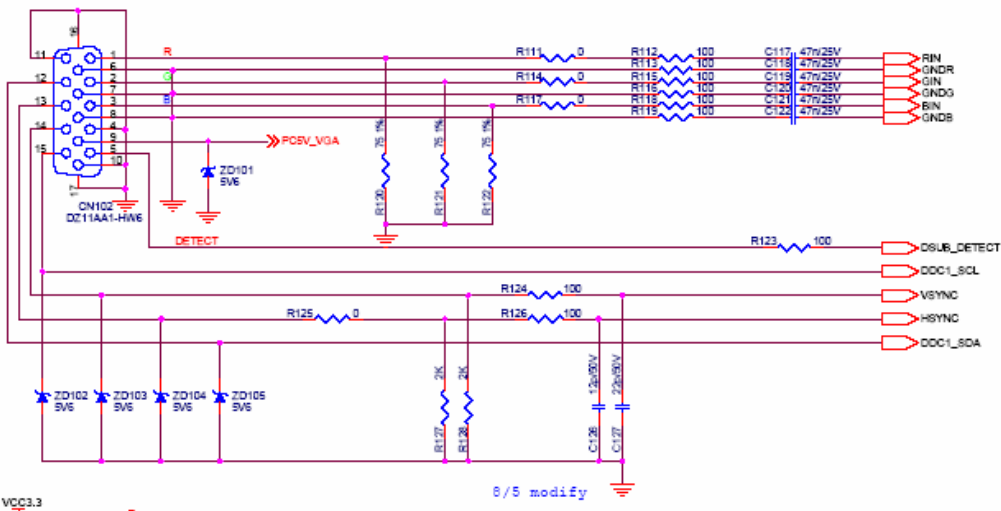


InnoLux		LE1910	
Document Number :	doc	SIZE :	A4
TITLE :	title	APPRO BY :	
DATE :	2005-04-07	CHECK BY :	
SHEET	1 OF 1	Rev :	1A
		DRAWN BY :	

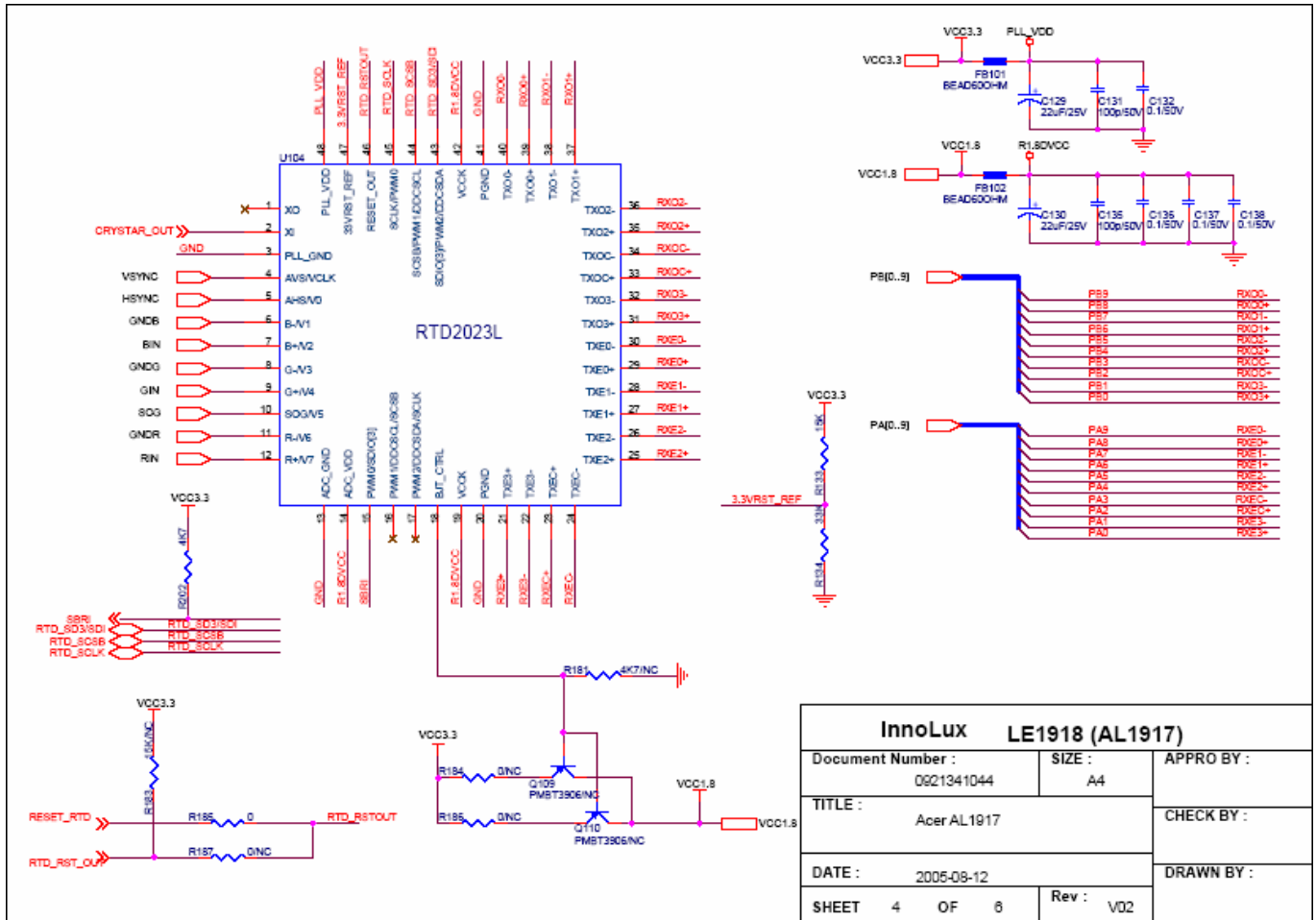
## Interface Board Schematic



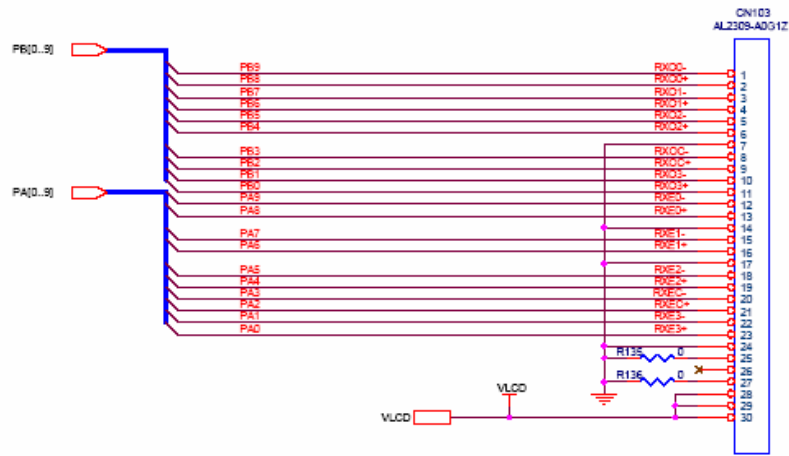
InnoLux LE1918 (AL1917)		
Document Number :	SIZE :	APPRO BY :
0621341044	A4	
TITLE :		CHECK BY :
Acer AL1917		
DATE :	2005-08-12	DRAWN BY :
SHEET 2 OF 6	Rev : V02	



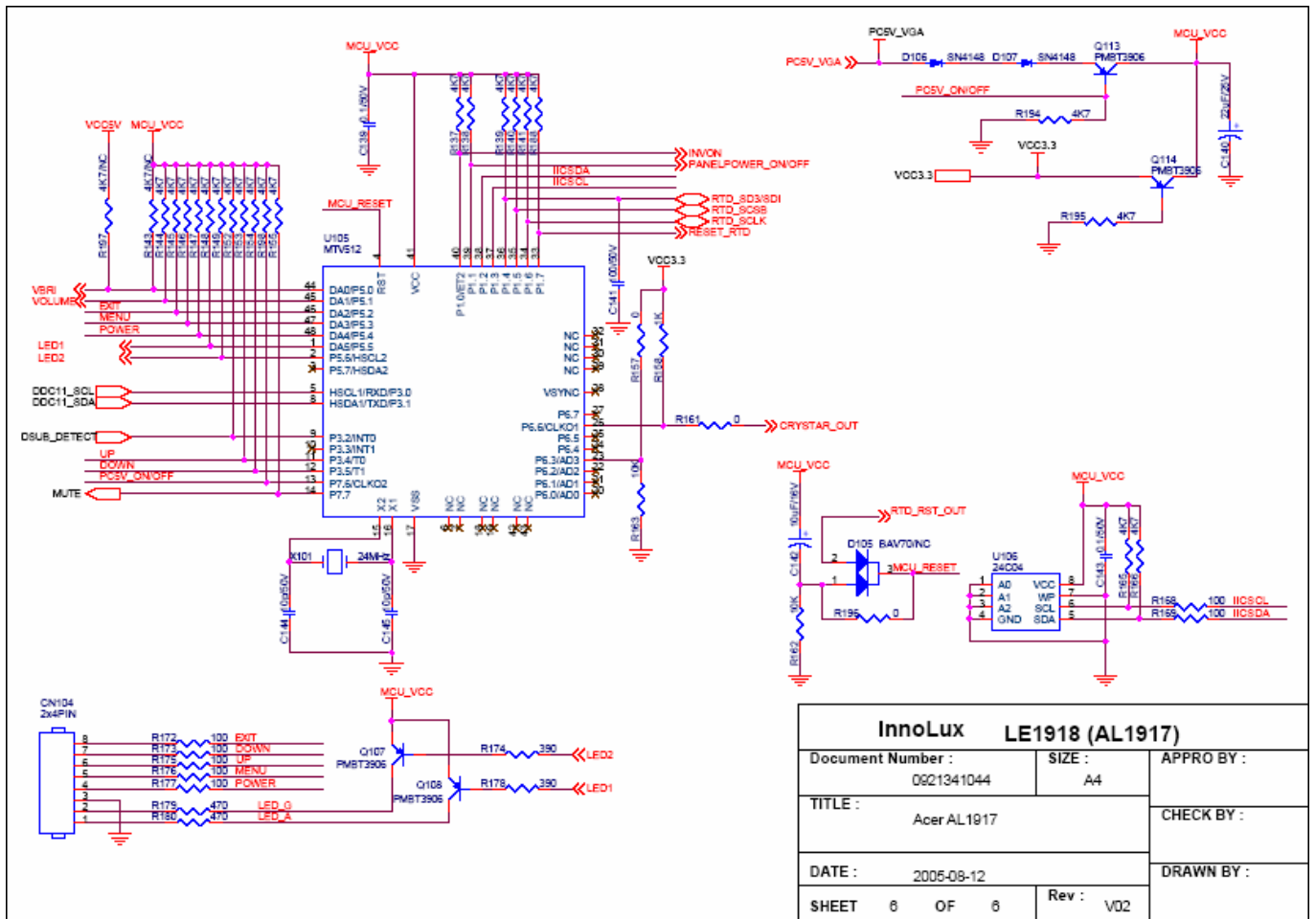
<b>InnoLux LE1918 (AL1917)</b>		
Document Number :	SIZE :	APPRO BY :
0621341044	A4	
TITLE :		CHECK BY :
Acer AL1917		
DATE :		DRAWN BY :
2005-08-12		
SHEET 3 OF 6	Rev : V02	



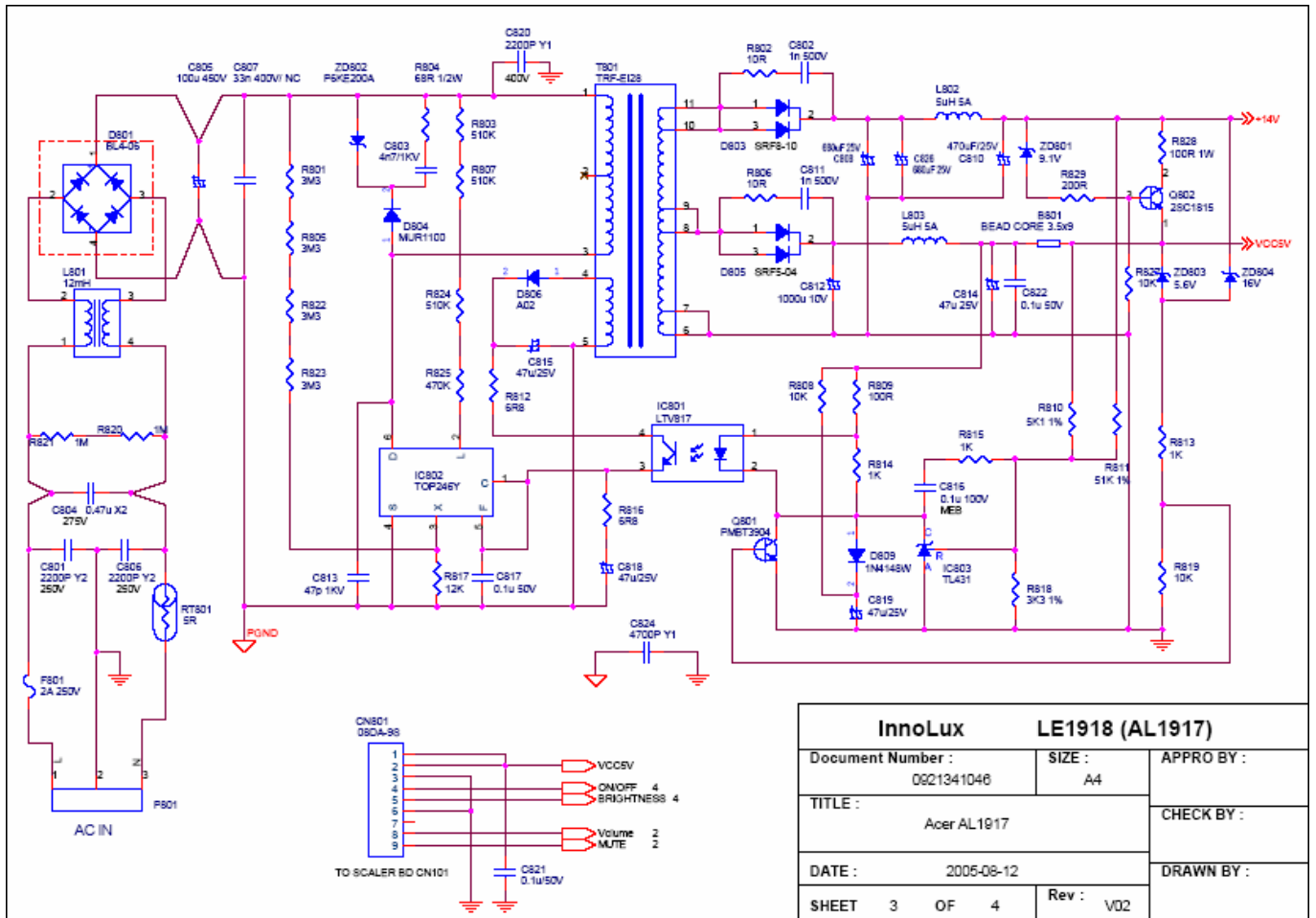




InnoLux LE1918 (AL1917)		
Document Number :	SIZE :	APPRO BY :
0621341044	A4	
TITLE :		CHECK BY :
Acer AL1917		
DATE :	2005-08-12	DRAWN BY :
SHEET 5 OF 6	Rev : V02	



# POW/INV Board Schematic



InnoLux LE1918 (AL1917)		
Document Number : 0621341046	SIZE : A4	APPRO BY :
TITLE : Acer AL1917		CHECK BY :
DATE : 2005-08-12	DRAWN BY :	
SHEET 3 OF 4	Rev : V02	

