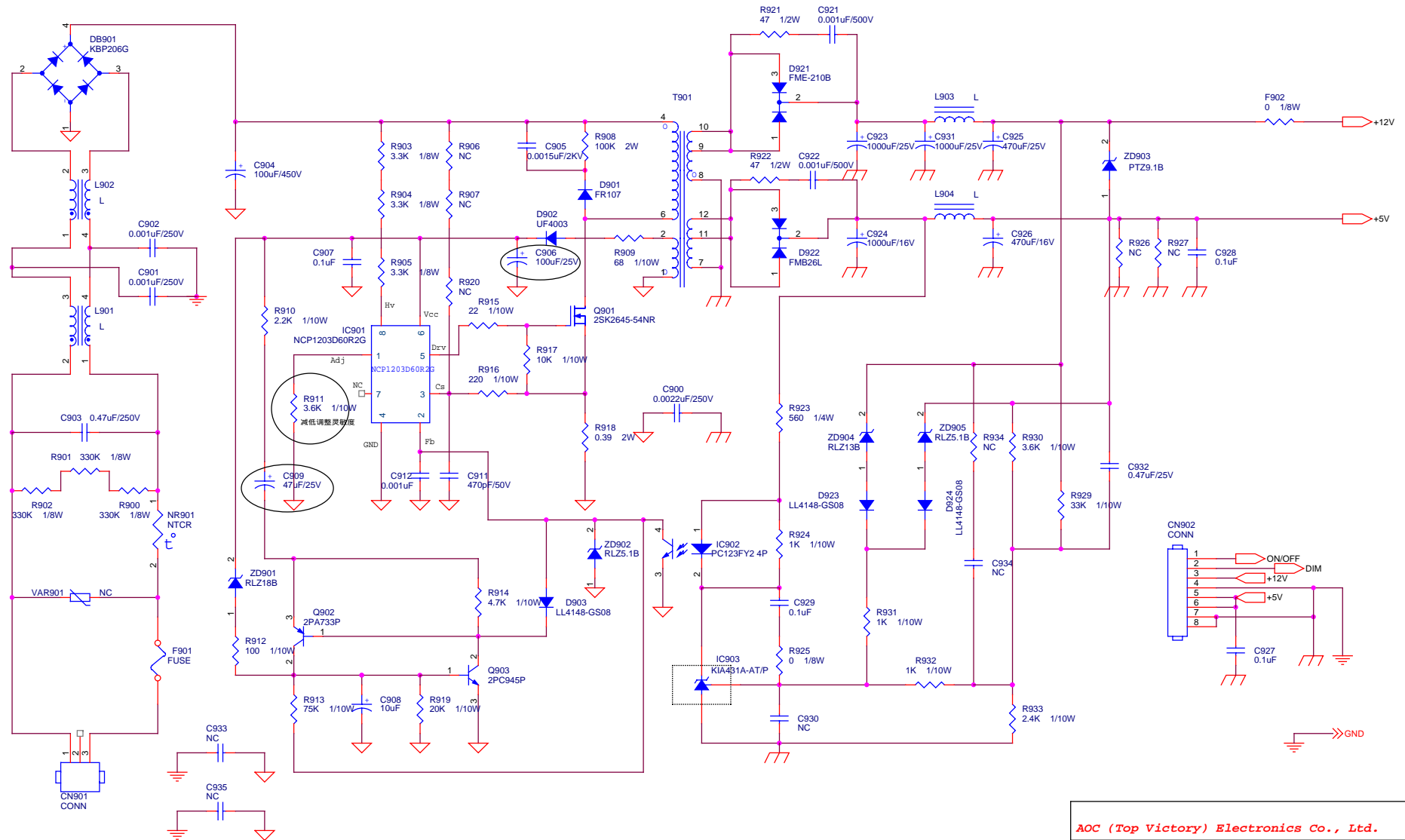
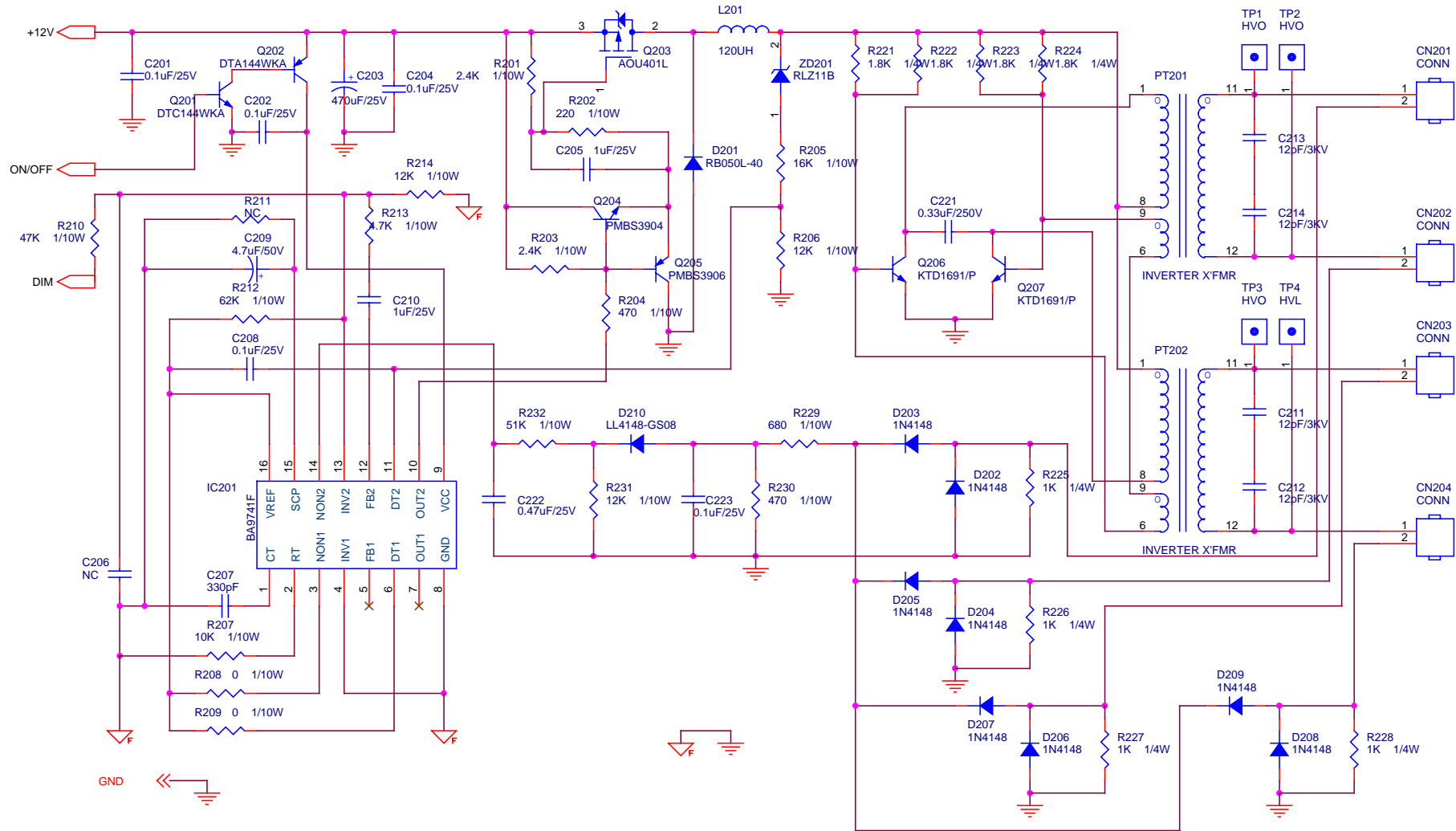




# Power board (adapter + inverter)



AOC (Top Victory) Electronics Co., Ltd.			
Title 1.POWER OUTPUT 12V & 5V			
Size B	Document Number PWPC1942AUA11P(715G1492-1)	Rev A	
Date: Sunday, May 22, 2005	Sheet 1	of 2	



<b>AOC (Top Victory) Electronics Co., Ltd.</b>		
Title <b>2. FOR 19" 4 LAMPS INVERTER</b>		
Size	Document Number <b>PWPC1942AUA11P(715G1492-1)</b>	Rev A
Date: Sunday, May 22, 2005	Sheet 2 of 2	

 is power GND  
 is signal GND